



# Effects of CO<sub>2</sub>-driven ocean acidification on early life stages of marine medaka (*Oryzias melastigma*)

J. Mu, F. Jin, J. Wang, N. Zheng, and Y. Cong

Division of Mar. Chem., National Marine Environmental Monitoring Center, Dalian 116023, China

Correspondence to: J. Y. Wang (jywang@nmemc.org.cn)

Received: 31 October 2014 – Published in Biogeosciences Discuss.: 05 January 2015

Revised: 21 May 2015 – Accepted: 09 June 2015 – Published: 25 June 2015

**Abstract.** The potential effects of high CO<sub>2</sub> and associated ocean acidification (OA) in marine fishes and other non-calcified organisms are less well understood. In this study, we investigated the responses of early life stages (ELS) of marine medaka (*Oryzias melastigma*) exposed to a series of experimental manipulation of CO<sub>2</sub> levels. Results showed that CO<sub>2</sub>-driven seawater acidification (pH 7.6 and pH 7.2) had no detectable effect on hatching time, hatching rate, or heart rate of embryos. However, the deformity rate of larvae in the pH 7.2 treatment was significantly higher than that in the control treatment. There is no significant difference between the left and right otolith areas in each treatment. However, the average otolith area of larvae in the pH 7.6 treatment was significantly smaller than that in the control. Such alterations in the developmental abnormalities and otolith size of marine medaka larvae due to elevated-CO<sub>2</sub> levels suggests that this species will be increasingly challenged by future OA. Further studies of the impacts of OA on marine fish to assess whether or not the environmental influence in one generation can affect the later life history and the phenotype of subsequent generations are needed.

## 1 Introduction

In the 20th century, the atmospheric carbon dioxide (CO<sub>2</sub>) concentration continued to increase as a result of fossil fuel combustion and other human activities. It was in turn taken up by the ocean gradually through air–sea exchange. Oceanic CO<sub>2</sub> can hydrolyze to increase the concentration of hydrogen ions (H<sup>+</sup>), which leads to the reduction of pH in the ocean by 0.1 units (Orr et al., 2005). Based on the amount of global CO<sub>2</sub> emissions at present, the pH of the ocean is likely to

drop by 0.3–0.4 units by the end of the 21st century and by 0.7 units after 300 years. The current and predicted levels of CO<sub>2</sub> and acidity of seawater of nearshore, estuarine, and higher-latitude habitats are expected to be even greater and substantially more variable than those of the open ocean (Gruber et al., 2012; Zhai et al., 2014). One alarming consequence is the rapid change in seawater chemistry and decrease in ocean pH, which could have great impacts on marine ecosystems and pose a threat to marine life (Frommel et al., 2012; Kerr, 2010). Elevated CO<sub>2</sub> concentrations can disturb the acid-base regulation, blood circulation, respiration, and the nervous system of marine organisms, leading to long-term effects such as reduced growth rates and reproduction (Frommel et al., 2012). Other direct response to ocean acidification (OA) have been found in the alteration of behaviour (Dixson et al., 2010; Munday et al., 2009a), development (Frommel et al., 2013), RNA/DNA ratio (Franke and Clemmesen, 2011), and otoliths (Checkley et al., 2009; Maneja et al., 2013; Munday et al., 2011b) of marine fish larvae. However, the emerging picture remains intriguingly complex. While the majority of responses to high CO<sub>2</sub> appear to be negative (Branch et al., 2013) with highest sensitivities observed during the early life stages (ELS) and in the calcifying invertebrates such as corals, bivalves, pteropods, and echinoderms, there are substantial evidences for non-linear, neutral, or even positive reaction to increasing CO<sub>2</sub> conditions (Hurst et al., 2013; Munday et al., 2011b; Murray et al., 2014). Moreover, marine fish exemplifies this complexity. Decades of empirical data suggest that juvenile and adult fish possess sufficient acid-base and osmoregulatory capabilities for the toleration of very high metabolic and ambient CO<sub>2</sub> levels (> 2000 μatm) (Murray et al., 2014). Although fish possess the ability of acid-base balance regulation, its

physiological function will certainly decline under such regulation for a long time from the perspective of energetics, especially in its most fragile and sensitive early life stage during its life history. In addition, in ELS of multiple taxa including fish, elevated CO<sub>2</sub> was shown to affect calcification of shells and skeletons due to a drop in the carbonate availability (Riebesell, et al., 2010). Munday et al. (2011a) observed no effect on spiny damselfish otolith calcification at 850  $\mu\text{atm}$ , while Munday et al. (2011b) and Checkley et al. (2009) highlighted an otolith hypercalcification in white seabass (*Atractoscion nobilis*) larvae exposed at 993 and 2558  $\mu\text{atm}$   $p\text{CO}_2$  and in clownfish (*Pomacentridae*) larvae at 1721  $\mu\text{atm}$   $p\text{CO}_2$ , respectively. In case of calcification modulation, otolith morphology can be affected, which may have negative repercussions on the behaviour and acoustic function of fish and decrease their survival probabilities (Bignami et al., 2013; Réveillac et al., 2015).

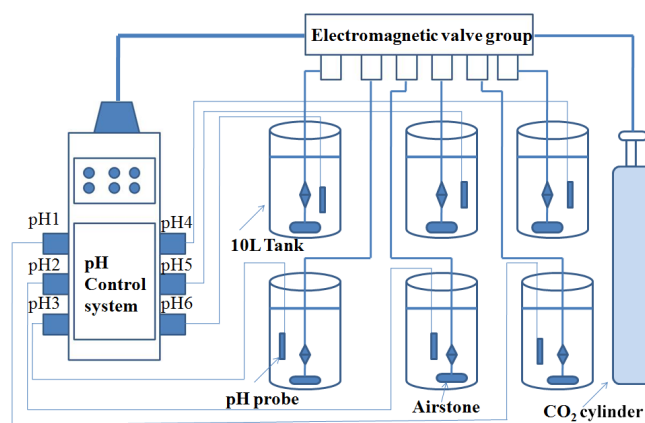
Marine medaka, *Oryzias melastigma* or *Oryzias javanicus*, is one of the 14 species belonging to the genus *Oryzias*, which distribute in estuarine waters from East to Southeast Asia (Koyama et al., 2008). It has been proposed as a model species in marine environmental risk assessments (Mu et al., 2014). However, few studies have addressed OA effects on the ELS of marine medaka so far. The objective of this study was to examine how CO<sub>2</sub>-driven OA affected the embryos and newly hatched larvae of marine medaka after 21 days exposure through investigating the embryonic, larval, and otolith development.

## 2 Materials and methods

### 2.1 Fish rearing

Marine medaka, *O. melastigma*, were provided by the Key Laboratory of Coastal Ecological Environment of State Oceanic Administration. Fish were maintained in an aquatic habitats system (Aquatic Habitats, USA) with a salinity of  $30 \pm 2$ , temperature of  $26 \pm 1$  °C, and a photoperiod of 14 h:10 h (light:dark). All fish were fed with nauplii of *Artemia* three times a day and synthetic food (New life spectrum ther-a-A formula, Made in the Newlife International, Inc, USA) twice a day. One-tenth of the total amount of water in the system was automatically renewed daily. To ensure developmental synchronization of embryos during experiment, all eggs were collected within 3–5 h after initiation of spawning, and fertilized and viable ones were selected under a dissecting microscope.

The experimental seawater (salinity of  $30.7 \pm 0.1$ ) was prepared by diluting sea salts (Instant Ocean, Aquarium Systems, USA) with deionized water. The standard NBS pH was  $8.2 \pm 0.004$ .



**Figure 1.** Schematic illustration of the pH control system applied in exposure experiment (For details refer to the text).

### 2.2 Seawater manipulation and experimental design

The design of seawater pH control system was based on Riebesell et al. (2010) with some modifications. Briefly, partial pressure of CO<sub>2</sub> ( $p\text{CO}_2$ ) was adjusted by pH modulator (aquastar pH Modul?, IKS) with a standard deviation of  $\pm 0.01$ . Three pH gradients, 8.2, 7.6, and 7.2 were set according to the predicted levels upon CO<sub>2</sub> emission at present, after 100 and 300 years (Orr et al., 2005), respectively. The pH control system consists of three parts, namely monitor, controller and aeration (Fig. 1). The pH metre in water monitored the real-time pH changes during the experiment. The controller associated with pH metre was also connected with an electromagnetic valve, which opened or closed the electromagnetic valve based on the feedback of the pH metre. The intake of electromagnetic valve connected to a cylinder equipped with a high concentration of CO<sub>2</sub> (0.1 % CO<sub>2</sub>: 99.9 % air- $p\text{CO}_2$  of 1000 ppm), and its outtake connected to silicone tube, drying tube, check valve and refiner which inserts into seawater. The refiner was placed in the middle of the aquarium (10 L) bottom to make the gas bubbled into water quickly and homogeneously. When the pH in seawater was higher than the set value, the electromagnetic valve opened automatically to pipe concentrated CO<sub>2</sub> into the water until the pH dropped to the set value, and then the valve closed. During the exposure experiment, parameters including pH, inorganic carbon (DIC), temperature, salinity, total alkalinity (TA) and dissolved oxygen (DO) were continuously monitored and analyzed to ensure the stability of the pH control system.

For each pH treatment, 90 fertilized eggs were randomly assigned to three tanks (three replicates) with 30 eggs per replicate. These tanks were monitored daily for dead embryos, hatched larvae, and hatching time. Subsets of hatched larvae per tank were then transferred to the alternative aquariums with the same exposure conditions to start the larval exposure sub-experiment (3 CO<sub>2</sub> levels  $\times$  3 replicates). Lar-

vae were monitored daily and dead ones were removed until the termination of the experiment at 21 days (approximately 1 week post-hatch). By the end of the experiments, the surviving larvae were anaesthetized and photographed under a microscope (Leica DMI4000B) for deformity analyses, and the otoliths were then removed and dry-stored in well plates.

### 2.3 Determination of water quality parameters

The determination of pH, TA, and DIC referred to the methods of Dickson et al. (2007). In brief, samples were collected into vials without obvious bubbles by an overflow manner, and then fixed with 0.1 % saturated HgCl<sub>2</sub> solution. The pH was detected using combined electrode (Orion 8102 BN Ross) and high-precision pH metre (Thermo Orion 3-Star, USA) in 25° water bath within 2 h after sampling. The deviation was less than 0.01. TA and DIC were detected by TA analyzer (Apollo AS-ALK2, USA) and DIC analyzer (Apollo AS-C3, USA) with an accuracy of more than  $\pm 2 \mu\text{mol kg}^{-1}$ , respectively. Salinity, temperature and DO of seawater were detected by YSI-85 water quality monitor (YSI Inc, USA), and the accuracy of each parameter was more than  $\pm 0.1$ ,  $\pm 0.1^\circ$  and  $\pm 2\%$  air saturation, respectively. Aragonite saturation ( $\Omega_{\text{Ar}}$ ) was calculated based on temperature, salinity, and measured TA and DIC through CO<sub>2</sub>-SYS carbonate system software (Pelletier et al., 2011). Other parameters adoption including dissociation constants of carbonic acid and sulfuric acid, saturated solubility product of CaCO<sub>3</sub> were consistent with those internationally applied (Millero et al., 2006).

### 2.4 Developmental toxicity

The numbers of embryos surviving to hatching were counted based on daily inspection of the embryos in each treatment. Hatching rate data were summed and converted to proportions of survival numbers out of 30 eggs per replicate. After 8 days post fertilization, and 3 days before expected hatching, the embryos were inspected at least twice a day and hatching numbers were recorded. Heart rates were estimated by counting the number of heart beats over a 30 s period ( $n = 10$ ) at day 8. The time when  $\geq 50\%$  of the embryos had hatched was recorded as the hatching time (Forsgren et al., 2013). As observations of spawning and hatching were made at somewhat irregular intervals over the course of the study, spawning and hatching times were analyzed. The embryonic hatching time was calculated as the time elapsed between spawning and hatching.

On day 21, thirty larvae (10 larvae per replicate) from each CO<sub>2</sub> treatment were randomly selected and photographed for deformity analyses. The deformity rate was calculated based on the proportions of abnormal larvae numbers out of 10 eggs per replicate. Survival of larvae was based on the number of newly-hatched larvae per replicate and the number remaining at the termination of the experiment.

### 2.5 Otolith measurement

The measurement of marine medaka otolith was based on the method of Franke and Clemmesen (2011). Briefly, the left and right otoliths were removed from 16 fish larvae randomly selected from each CO<sub>2</sub> treatment. Each otolith was observed and photographed under a microscope (Leica DMI4000B). Digital pictures of otolith were taken at 1000 × magnification using the microscope equipped with a Leica DFC420C Digital Camera. Otolith area ( $\mu\text{m}^2$ ) was calculated through Image-Pro Plus 5.0 software after calibration and gray-scale processing of photos.

### 2.6 Statistical analyses

Data analyses were performed using SPSS ver.16.0 (Chicago, IL) software. All data were tested for normal distribution using the Kolmogorov–Smirnov test. Non-normally distributed data were log transformed. The difference between measured and nominal pH was analyzed by T-test. For heart rate, hatching rate, hatching time, and deformity rate, one-way analysis of variance (ANOVA) followed by Bonferroni post hoc tests were applied to test the differences between and among groups. An independent sample test was used to compare the difference of otolith areas between left and right sides in each treatment. If there was a significant difference, one-way ANOVA was used to further compare the difference between treatments for left and right sides, respectively. If not, one-way ANOVA was performed after data combining of left and right sides. Results were expressed as means  $\pm$  standard deviation (SD).

## 3 Results

### 3.1 Seawater chemical parameters

Measured pH in three treatments and different chemical parameters in seawater were shown in Fig. 2 and Table 1, respectively. During the 21 days of exposure, measured pH in pH 8.2, 7.6, and 7.2 groups were  $8.22 \pm 0.004$ ,  $7.63 \pm 0.007$ , and  $7.22 \pm 0.002$ , respectively. The fluctuation was less than 0.05 (Fig. 2), indicating the stability of the pH control system.

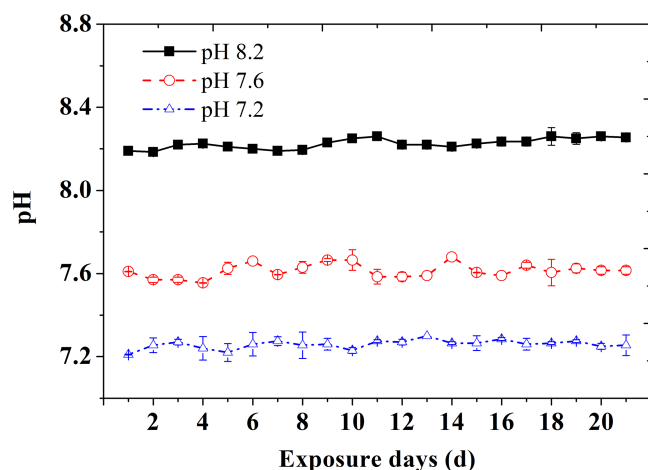
### 3.2 Embryonic development

Three replicates produced a total of 90 eggs in each CO<sub>2</sub> treatment. The hatching times were extended with decreasing pH level, but there was no significant difference among the three pH treatments ( $F_{2,6} = 5.8$ ,  $p = 0.066$ ) (Fig. 3a). On average, 83 % of eggs in three pH treatments survived to hatch, and the hatching rate of eggs was not significantly different among the three pH treatments ( $F_{2,6} = 1.1$ ,  $p = 0.4$ ) (Fig. 3b). For the heart rates of embryos, pH 7.6 and 7.2

**Table 1.** Summary of chemical parameters in control and acidic seawater ( $n = 3$ ).

pH <sub>NBS</sub> *	DIC ( $\mu\text{mol kg}^{-1}$ )	$p\text{CO}_2$ ( $\mu\text{atm}$ )	CO <sub>2</sub> ( $\mu\text{mol kg}^{-1}$ )	HCO <sub>3</sub> <sup>-</sup> ( $\mu\text{mol kg}^{-1}$ )	CO <sub>3</sub> <sup>2-</sup> ( $\mu\text{mol kg}^{-1}$ )	$\Omega_{\text{Ar}}$
8.22 ± 0.004	2645.1 ± 28.5	495.9 ± 2.2	14.4 ± 0.1	2380.3 ± 10.1	280.4 ± 3.9	4.5 ± 0.06
7.63 ± 0.007	3014.2 ± 74.3	2372.6 ± 52.3	68.7 ± 1.4	2861.0 ± 20.7	84.5 ± 0.3	1.4 ± 0.006
7.22 ± 0.002	3202.7 ± 18.5	6165.7 ± 56.4	178.4 ± 1.8	2988.8 ± 9.3	35.5 ± 0.6	0.6 ± 0.01

\* pH<sub>NBS</sub>: The fundamental definition of pH in terms of the hydrogen ion activity; NBS: National Bureau of Standard.

**Figure 2.** Measured mean pH<sub>NBS</sub> of seawater in three pH treatments during 21 d of exposure ( $n = 3$ ).

groups were not significantly different from those in the control group ( $F_{2,28} = 1.7$ ,  $p = 0.7$ ) (Fig. 3c).

### 3.3 Larval development

Three replicates produced a total of 66–75 newly hatched larvae in each CO<sub>2</sub> treatment level. By the end of the experiment, larvae survival rate was highly variable but did not differ significantly between the control and acidified water groups ( $F_{2,6} = 0.3$ ,  $p = 0.7$ ) (Fig. 4b).

However, the two lower pH treatments (pH 7.6 and pH 7.2) can both cause spinal deformities, craniofacial deformities, stretched heart and pericardial edema of marine medaka larvae (Fig. 5). Furthermore, in pH 7.2 treatment, the deformity rate was significantly higher than that of control group ( $F_{1,4} = 32$ ,  $p = 0.005$ ) (Fig. 4a).

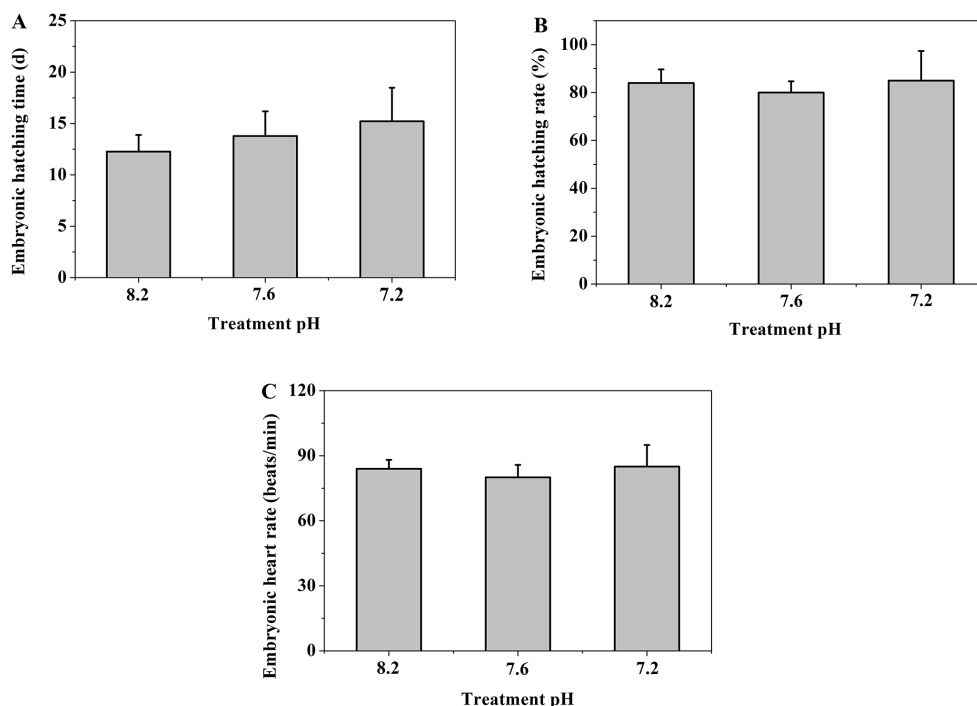
### 3.4 Otolith development of larvae

The effects of different pH treatments on otolith size of marine medaka larvae were shown in Fig. 6. There was no statistically significant difference between the areas of left and right sides in each pH treatment (pH 8.2:  $F_{1,59} = 0.092$ ,  $p = 0.76$ ; pH 7.6:  $F_{1,67} = 0.045$ ,  $p = 0.83$ ; pH 7.2:  $F_{1,68} = 0.005$ ,  $p = 0.95$ , respectively) (Fig. 6a). In pH 7.6 treatment,

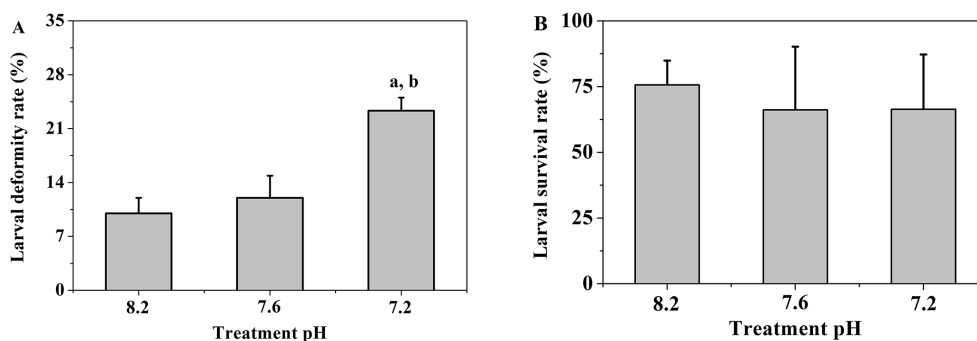
the average areas of left and right sides were significantly smaller than those of the control treatment ( $F_{1,128} = 8.8$ ,  $p = 0.013$ ) (Fig. 6b).

## 4 Discussions

Assessment of species sensitivity or tolerance to CO<sub>2</sub>-driven acidification in marine environment is critical to evaluate the impacts of OA on marine biodiversity and ecosystem function (Fabry et al., 2008; Melzner et al., 2009). A number of studies found that CO<sub>2</sub>-driven acidification had obvious influences on ELS of many marine invertebrates, especially calcified organisms including coral (Doropoulos et al., 2012; Fabricius et al., 2011), coccolithophores (Berry et al., 2002), and mollusk (Kroeker et al., 2013; Thomsen et al., 2013; Waldbusser et al., 2011). OA was predicted to potentially affect individual behaviour such as development, growth, survival, and swimming particularly during the early life stage of marine organisms (Munday et al., 2008). In our experiments, the duration of embryonic stage, egg survival and embryonic heart rate of marine medaka were unaffected by acidification water with pH 7.6 and pH 7.2. There was a slight increase in the embryonic duration of the eggs, but the size effect was not different among the three pH treatments. Overall, these results suggest that the egg stage of marine medaka is relatively tolerant to elevated CO<sub>2</sub> and low pH level, which were consistent with the results reported by other studies on a diverse set of marine fishes. For instance, Munday et al. (2009b) found the survival to hatch of orange clownfish (*Amphiprion percula*) from the Great Barrier Reef, Australia, to be nonresponsive to  $p\text{CO}_2$  levels to 1020 ppm (pH 7.8). Similarly, Franke and Clemmesen (2012) found no significant effect of elevated  $p\text{CO}_2$  levels from 460 to 4635 ppm (corresponding to pH 8.08–pH 7.05) on survival to hatch of Atlantic herring from the western Baltic Sea. In the study of Frommel et al. (2013), the survival of embryos of Atlantic cod from the Bornholm Basin of the western Baltic Sea was not altered at  $p\text{CO}_2$  levels up to 4000 ppm (pH 7.2). Hurst et al. (2013) also reported no effect on embryo survival of walleye pollock (*Theragra chalcogramma*), common in the temperate eastern North Pacific, at  $p\text{CO}_2$  levels up to 1933 ppm (pH 7.4). In other cases, however, a strong effect of CO<sub>2</sub> was evident on the embryo survival of summer floun-



**Figure 3.** The hatching time, hatching rate, and heart rate of marine medaka embryos exposed to three pH levels. (a) Hatching time; (b) hatching rate; (c) heart rate.

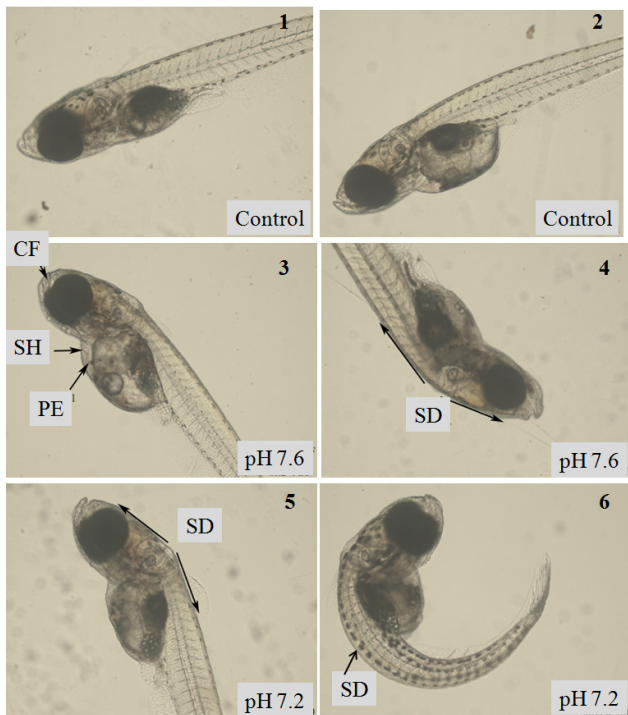


**Figure 4.** The deformity and survival rates of larvae exposed to three pH levels. (a) Deformity rate; (b) survival rate. (a) indicates that the value in pH 7.2 or in pH 7.6 differs significantly from that in the control (pH 8.2), and (b) indicates that the value in pH 7.2 differs significantly from that in pH 7.6.

der (*Paralichthys dentatus*), an ecologically and economically important flatfish of the inshore and nearshore waters of the mid-Atlantic Bight (Chambers et al., 2013). The relative survival of summer flounder embryos was reduced to 48 % when maintained at 1808 ppm  $p\text{CO}_2$  (pH 7.5) and to 16 % when maintained at 4714 ppm  $p\text{CO}_2$  (pH 7.1). Baumann et al. (2012) also reported a 74 % reduction in survival of embryos and young larvae of inland silverside, *Menidia beryllina*, native to estuaries of the US Atlantic coast, when maintained at 1100 ppm  $p\text{CO}_2$  compared to those held at 410 ppm  $p\text{CO}_2$ . All of these studies varied in the number of parents used, the time lapse between egg fertilization

and initiation of CO<sub>2</sub> treatment, and how and when survival was scored. For example, the CO<sub>2</sub> treatments of inland silverside by Baumann et al. (2012) began at approximately 24 h post-fertilization, and the survival was scored at approximately 1 week post-hatching. The different approaches used in previous studies may preclude a fair cross-study comparison (Chambers et al., 2014); however, the overall present of effect of elevated CO<sub>2</sub> environments on embryo survival is in contrast to the findings here. Habitats occupied of species, particularly in the ELS, may play a role in their sensitivities. It is counter to expectations and requires further attention that species in their ELS are found in estuarine (marine medaka)





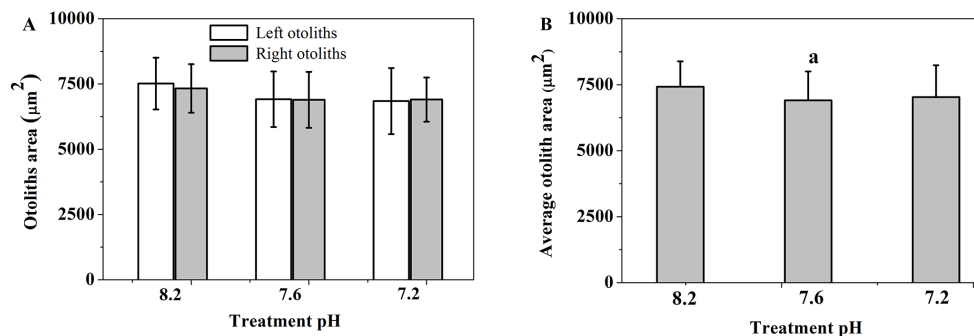
**Figure 5.** Morphological changes of medaka larvae exposed to three pH levels. 1–2: Control-nNormal (pH 8.2); 3–4: pH 7.6 treatment; 5–6: pH 7.2 treatment. SD: Spinal deformities; CF: Craniofacial deformities; PE: Pericardial edema; SH: Stretched heart.

and inner shelf (summer flounder) habitats, both with relatively high ambient CO<sub>2</sub> levels, but exhibit different sensitivities to experimentally elevated-CO<sub>2</sub> levels.

An unexpected result of our study was that elevated levels of CO<sub>2</sub> affected larval development abnormalities, and the average deformity rate of marine medaka larvae (approximately 1 week post-hatch) increased significantly by 16 % as CO<sub>2</sub> increased from control level (pH 8.2) to high-CO<sub>2</sub> level (pH 7.2). Although CO<sub>2</sub>-induced acidification up to the high-CO<sub>2</sub> level (pH 7.2) had no noticeable effect on larval survival by the end of the experiments (21 days), the larval development abnormalities may ultimately influence the later life consequences and therefore further reduce the productivity of fish stock in future acidified oceans. Chambers et al. (2014) found no reduction in survival with CO<sub>2</sub> for larvae during the first 4 weeks of larval life (experiment ended at 28 days post-hatching (dph)), however, the sizes, shapes, and developmental status of larvae showed initially longer and faster growing when reared at pH 7.5 and pH 7.1 levels, and the tissue damage was evident in larvae as early as 7 dph from both elevated-CO<sub>2</sub> levels. At present, it is unknown how increasing CO<sub>2</sub> levels affect development and survival in fish ELS. Even if fish embryos and early larvae are capable of physiological adaptation to increased CO<sub>2</sub> somehow, this would incur further metabolic costs and thus reduce energy available for tissue synthesis or post-hatch survival on

diminished yolk reserves. As some fish eggs, including those of *O. melastigma*, seem to be tolerant to low-pH conditions, the high levels of CO<sub>2</sub> or associated changes in carbonate chemistry may be more important to larval-fish development than hydrogen ion concentrations. (Baumann et al., 2011; Ishimatsu et al., 2008).

The pH drop driven by CO<sub>2</sub> can change concentrations of bicarbonate and non-bicarbonate ions during which elevated CO<sub>2</sub> affects saturation states of calcium ions carbonate polymorphs (Munday et al., 2008). Otoliths are bony structures of fish to sense orientation and acceleration and consist of aragonite-protein bilayers, which document fish age and growth (Checkley et al., 2009). Its formation starts during embryonic development, and any alteration of otolith size or shape is important for physical performance and individual adaptability of fish. Therefore, any substantial change in the size, shape, or symmetry of otoliths could have serious implications for individual performance and survival (Munday et al., 2008, 2011a). In this study, we found no significant difference existing between the left and right sides of marine medaka larval otolith under the same pH level. However, otolith area of larval fish exposed to the intermediate-CO<sub>2</sub> level (pH 7.6) was smaller than that of control. Results suggested that there was no significant *p*CO<sub>2</sub> effect on otolith symmetry of marine medaka, defined as the difference between the right and left sides. However, the otolith area was significantly affected. The trend of reduction in otolith area of marine medaka larvae exposed to elevated CO<sub>2</sub> environments found here has not been reported in most previous studies focusing on other marine fishes. For instance, Checkley et al. (2009) found that otolith area of white seabass (*Atractoscion nobilis*) larvae increased by 7–9 and 10–14 % after exposure to 993 and 2558 ppm CO<sub>2</sub>, respectively. Munday et al. (2011b) found that the size, shape, and symmetry of otoliths in larval clownfish was unaffected by exposure to simulated levels of OA (pH 7.8 and 1050  $\mu$ atm CO<sub>2</sub>); however, in a more extreme treatment (pH 7.6 and 1721  $\mu$ atm CO<sub>2</sub>) otolith area and maximum length were larger than those of control otoliths. Maneja et al. (2013) found that elevated CO<sub>2</sub> had no significant effect on the shape of the otoliths nor was there any trend in the fluctuating asymmetry, while increased otolith growth was observed in 7 to 46 d post hatch cod larvae in two *p*CO<sub>2</sub> treatments of 1800 and 4200  $\mu$ atm. In contrast, Munday et al. (2011a) did not detect any effect of elevated CO<sub>2</sub> on otolith size of juvenile spiny damselfish, *Acanthochromis polyacanthus*, which were reared for 3 weeks in treatments up to 841  $\mu$ atm CO<sub>2</sub>. Our results seemed to support the hypothesis that otoliths of larvae reared in seawater with elevated CO<sub>2</sub> would grow more slowly than they do in seawater with normal CO<sub>2</sub>. The reduction of otolith area was likely associated with reduced CaCO<sub>3</sub> saturation which slowed down its formation. We do not know whether smaller otoliths have a deleterious effect, although we do know that asymmetry between otoliths can be harmful (Checkley et al., 2009). The difference between



**Figure 6.** The effects of different pH levels on the otolith area of marine medaka larvae after 21 days of exposure. (a) indicates that the value in pH 7.2 or in pH 7.6 differs significantly from that in the control (pH 8.2).

our results and other studies may be related to: (1) different  $p\text{CO}_2$  levels; (2) different life histories; or (3) different exposure duration (Munday et al., 2011a). However, another interesting result from the present study was that the otolith area of marine medaka larvae under the extreme  $\text{CO}_2$  level (pH 7.2) tended to increase instead of continuously reduce. We should not ignore its own acid-base regulation ability that increased the available amount of carbonate by compensation mechanism for otolith to intensify the calcification process under such acidic condition (Checkley et al., 2009). Calcium incorporation into the otolith was modulated by the seawater pH. This questions the stability of the element:Ca ratio under environmental hypercapnia. During the biomineralization of the otolith, chemical elements such as metals and metalloids are supposed to substitute for calcium (Réveillac et al., 2015). The changes of pH and seawater chemistry caused by increased  $\text{CO}_2$  can modify the speciation of metals and their subsequent bioavailability to organisms (Millero et al., 2006). The physiological response of fish to hypercapnia might in turn stimulate processes to compensate for acidosis based on the key role of ion transporters. In the present study, OA may interfere with trace element uptake and body concentrations and therefore could affect otolith growth and microchemical constituent. Further studies are thus needed to investigate the possibility that OA impacts on the trace metals properties, molecular-binding affinities and incorporation pathway into the otolith.

In conclusion, this study demonstrated that, under projected near-future  $p\text{CO}_2$  levels, the ELS of marine medaka exhibited a dramatic increase of larval developmental deformity and otolith calcification while their survival was not affected. Importantly, the observed  $\text{CO}_2$ -induced abnormal development of larvae might have predictably negative consequences on the recruitment of fish population, the effects of which on later life history and phenotype of subsequent generations should be concerned. As the otolith is an essential tool used in reconstructing fish life history in terms of age, somatic growth and attended habitats, further studies should investigate the process of otolith biomineraliza-

tion. Finally, we emphasize that there is considerable variation among species in their sensitivities to elevated  $\text{CO}_2$  and reduced pH. Determining the traits that render some species more susceptible than others will be helpful and valuable in predicting the long-term and ecological effects of OA.

*Acknowledgements.* This study was financially supported by the National Natural Science Foundation of China (no. 41476096 and no. 41106089), and the Key Laboratory Fund of Ecological Environment in Coastal Areas, State Oceanic Administration (no. 201202). We thank Xuemei Xu and Weidong Zhai of National Marine Environmental Monitoring Center for their suggestions on experimental design and calculation in carbonate system.

Edited by: T. Treude

## References

- Baumann, H., Talmage, S. C., and Gobler, C. J.: Reduced early life growth and survival in a fish in direct response to increased carbon dioxide, *Nat. Clim. Change*, 2, 38–41, 2012.
- Berry, L., Taylor, A. R., Lucken, U., Ryan, K. P., and Brownlee, C.: Calcification and inorganic carbon acquisition in coccolithophores, *Funct. Plant Biol.*, 29, 289–299, 2002.
- Bignami, S., Sponaugle, S., and Cowen, R. K.: Response to ocean acidification in larvae of a large tropical marine fish, *Rachycentron canadum*, *Glob. Change Biol.*, 19, 996–1006, 2013.
- Branch, T. A., DeJoseph, B. M., Ray, L. J., and Wagner, C. A.: Impacts of ocean acidification on marine seafood, *Trends in ecology and evolution*, 28, 178–186, 2013.
- Chambers, R. C., Candelmo, A. C., Habeck, E. A., Poach, M. E., Wieczorek, D., Cooper, K. R., Greenfield, C. E., and Phelan, B. A.: Effects of elevated  $\text{CO}_2$  in the early life stages of summer flounder, *Paralichthys dentatus*, and potential consequences of ocean acidification, *Biogeosciences*, 11, 1613–1626, doi:10.5194/bg-11-1613-2014, 2014.
- Checkley, D. M., Dickson, A. G., Takahashi, M., Radich, J. A., Eisenkolb, N., and Asch, R.: Elevated  $\text{CO}_2$  Enhances Otolith Growth in Young Fish, *Science*, 324, 1683, doi:10.1126/science.1169806, 2009.

- Dickson, A. G., Sabine, C. L., and Christian, J. R.: Guide to best practicers for ocean CO<sub>2</sub> measurements., North Pacific Marine Science Organization (PICES), Sidney, British Columbia, 2007.
- Dixson, D. L., Munday, P. L., and Jones, G. P.: Ocean acidification disrupts the innate ability of fish to detect predator olfactory cues, *Ecol. Lett.*, 13, 68–75, 2010.
- Doropoulos, C., Ward, S., Diaz-Pulido, G., Hoegh-Guldberg, O., and Mumby, P. J.: Ocean acidification reduces coral recruitment by disrupting intimate larval-algal settlement interactions, *Ecol. Lett.*, 15, 338–346, 2012.
- Fabricius, K. E., Langdon, C., Uthicke, S., Humphrey, C., Noonan, S., De'ath, G., Okazaki, R., Muehllhner, N., Glas, M. S., and Lough, J. M.: Losers and winners in coral reefs acclimatized to elevated carbon dioxide concentrations, *Nat. Clim. Change*, 1, 165–169, 2011.
- Forsgren, E., Dupont, S., Jutfelt, F., and Amundsen, T.: Elevated CO<sub>2</sub> affects embryonic development and larval phototaxis in a temperate marine fish, *Ecol. Evolut.*, 3, 3637–3646, 2013.
- Franke, A. and Clemmesen, C.: Effect of ocean acidification on early life stages of Atlantic herring (*Clupea harengus L.*), *Biogeosciences*, 8, 3697–3707, doi:10.5194/bg-8-3697-2011, 2011.
- Frommel, A. Y., Maneja, R., Lowe, D., Malzahn, A. M., Geffen, A. J., Folkvord, A., Piatkowski, U., Reusch, T. B. H., and Clemmesen, C.: Severe tissue damage in Atlantic cod larvae under increasing ocean acidification, *Nat. Clim. Change*, 2, 42–46, 2012.
- Frommel, A. Y., Schubert, A., Piatkowski, U., and Clemmesen, C.: Egg and early larval stages of Baltic cod, *Gadus morhua*, are robust to high levels of ocean acidification, *Mar. Biol.*, 160, 1825–1834, 2013.
- Gruber, N., Hauri, C., Lachkar, Z., Loher, D., Frölicher, T. L., and Plattner, G.-K.: Rapid Progression of Ocean Acidification in the California Current System, *Science*, 337, 220–223, 2012.
- Hurst, T. P., Fernandez, E. R., and Mathis, J. T.: Effects of ocean acidification on hatch size and larval growth of walleye pollock (*Theragra chalcogramma*), *Ices. J. Mar. Sci.*, 70, 812–822, 2013.
- Ishimatsu, A., Hayashi, M., and Kikkawa, T.: Fishes in high-CO<sub>2</sub>, acidified oceans, *Mar. Ecol. Prog. Ser.*, 373, 295–302, 2008.
- Kerr, R. A.: Ocean Acidification Unprecedented, Unsettling, *Science*, 328, 1500–1501, 2010.
- Koyama, J., Kawamata, M., Imai, S., Fukunaga, M., Uno, S., and Kakuno, A.: Java medaka: a proposed new marine test fish for ecotoxicology, *Environ. Toxicol.*, 23, 487–491, 2008.
- Kroeker, K. J., Kordas, R. L., Crim, R., Hendriks, I. E., Ramajo, L., Singh, G. S., Duarte, C. M., and Gattuso, J. P.: Impacts of ocean acidification on marine organisms: quantifying sensitivities and interaction with warming, *Glob. Chang Biol.*, 19, 1884–1896, 2013.
- Maneja, R. H., Frommel, A. Y., Geffen, A. J., Folkvord, A., Piatkowski, U., Chang, M. Y., and Clemmesen, C.: Effects of ocean acidification on the calcification of otoliths of larval Atlantic cod *Gadus morhua*, *Mar. Ecol. Prog. Ser.*, 477, 251–258, 2013.
- Millero, F. J., Graham, T. B., Huang, F., Bustos-Serrano, H., and Pierrot, D.: Dissociation constants of carbonic acid in seawater as a function of salinity and temperature, *Mar. Chem.*, 100, 80–94, 2006.
- Mu, J., Wang, J., Jin, F., Wang, X., and Hong, H.: Comparative embryotoxicity of phenanthrene and alkyl-phenanthrene to marine medaka (*Oryzias melastigma*), *Mar. Pollut. Bull.*, 85, 505–515, 2014.
- Munday, P. L., Jones, G. P., Pratchett, M. S., and Williams, A. J.: Climate change and the future for coral reef fishes, *Fish Fish.*, 9, 261–285, 2008.
- Munday, P. L., Dixson, D. L., Donelson, J. M., Jones, G. P., Pratchett, M. S., Devitsina, G. V., and Døving, K. B.: Ocean acidification impairs olfactory discrimination and homing ability of a marine fish, *Proc. Natl. Acad. Sci. USA*, 106, 1848–1852, 2009a.
- Munday, P. L., Donelson, J. M., Dixson, D. L., and Endo, G. G. K.: Effects of ocean acidification on the early life history of a tropical marine fish, *Proc. Roy. Soc. B*, 276, 3275–3283, 2009b.
- Munday, P. L., Gagliano, M., Donelson, J. M., Dixson, D. L., and Thorrold, S. R.: Ocean acidification does not affect the early life history development of a tropical marine fish, *Mar. Ecol. Prog. Ser.*, 423, 211–221, 2011a.
- Munday, P. L., Hernaman, V., Dixson, D. L., and Thorrold, S. R.: Effect of ocean acidification on otolith development in larvae of a tropical marine fish, *Biogeosciences*, 8, 1631–1641, doi:10.5194/bg-8-1631-2011, 2011b.
- Murray, C. S., Malvezzi, A., Gobler, C. J., and Baumann, H.: Offspring sensitivity to ocean acidification changes seasonally in a coastal marine fish, *Mar. Ecol. Prog. Ser.*, 504, 1–11, 2014.
- Orr, J. C., Fabry, V. J., Aumont, O., Bopp, L., Doney, S. C., Feely, R. A., Gnanadesikan, A., Gruber, N., Ishida, A., Joos, F., Key, R. M., Lindsay, K., Maier-Reimer, E., Matear, R., Monfray, P., Mouchet, A., Najjar, R. G., Plattner, G.-K., Rodgers, K. B., Sabine, C. L., Sarmiento, J. L., Schlitzer, R., Slater, R. D., Totterdell, I. J., Weirig, M.-F., Yamanaka, Y., and Yool, A.: Anthropogenic ocean acidification over the twenty-first century and its impact on calcifying organisms, *Nature*, 437, 681–686, 2005.
- Pelletier, G. J., Lewis, E., and Wallace, D. W. R.: CO<sub>2</sub>SYS.XLS: A calculator for the CO<sub>2</sub> system in seawater for Microsoft Excel/VBA, Ver. 16, Washington State Department of Ecology, Olympia, Washington, 2011.
- Réveillac, E., Lacoue-Labarthe, T., Oberhänsli, F., Teysseï, J.-L., Jeffree, R., Gattuso, J.-P., and Martin, S.: Ocean acidification reshapes the otolith-body allometry of growth in juvenile sea bream, *J. Exp. Mar. Biol. Ecol.*, 463, 87–94, 2015.
- Riebesell U., Fabry, V. J., Hansson Lina., and Gattuso Jean-Pierre.: Guide to best practices for ocean acidification research and data reporting., Publications office of the European Union, Luxembourg, 258 pp., 2010.
- Thomsen, J., Casties, I., Pansch, C., Körtzinger, A., and Melzner, F.: Food availability outweighs ocean acidification effects in juvenile *Mytilus edulis*: laboratory and field experiments, *Glob. Change Biol.*, 19, 1017–1027, 2013.
- Waldbusser, G., Voigt, E., Bergschneider, H., Green, M., and Newell, R. E.: Biocalcification in the Eastern Oyster (*Crassostrea virginica*) in Relation to Long-term Trends in Chesapeake Bay pH, *Estuar Coast*, 34, 221–231, 2011.
- Zhai, W.-D., Zheng, N., Huo, C., Xu, Y., Zhao, H.-D., Li, Y.-W., Zang, K.-P., Wang, J.-Y., and Xu, X.-M.: Subsurface pH and carbonate saturation state of aragonite on the Chinese side of the North Yellow Sea: seasonal variations and controls, *Biogeosciences*, 11, 1103–1123, doi:10.5194/bg-11-1103-2014, 2014.