

Historical Earthquakes in Central Europe	Volume I	Editors: Rudolf Gutdeutsch, Gottfried Grünthal, Roger Musson		
Abh. Geol. B.-A.	ISSN 0378-0864 ISBN 3-900312-83-4	Band 48	S. 51-109	Wien, August 1992

The Central German Earthquake of March 6, 1872

By GOTTFRIED GRÜNTAL*)

With 9 + 5 Figures**) and 3 Tables

Contents

Zusammenfassung	51
Abstract	52
1. Introduction	52
2. Sources	55
2.1. General Evaluation of the State of Historical Sources	55
2.2. The Main Contemporary Sources	56
2.3. Selection of Usable Information from the Sources and its Representation	62
3. Macroseismic Evaluation and Interpretation	62
3.1. Source Categories and Information Content of Sources	62
3.2. Intensity Evaluation and Macroseismic Determination of Focal Parameters	65
Acknowledgements	67
References	67
Annex: Compilation of Reports on the Central German Earthquake of March 6, 1872 (localities in alphabetical order)	69

Das Mitteldeutsche Erdbeben vom 6. März 1872

Zusammenfassung

Das mitteldeutsche Erdbeben vom 6. März 1872 mit dem Herdgebiet am Ostrand des Thüringer Beckens, Herdtiefe ca. 12 km, erreichte die Maximalintensität VII-VIII der MSK-Skala. Es gehört zu den größten und am besten dokumentierten Ereignissen dieses Gebietes, in dem die seismische Aktivität eher mäßig ist. Darum bildet es für die Erdbebengefährdungsanalyse eine Schlüsselinformation. Zwar gab es zur Zeit des Bebens noch keine Seismographen und keinen Rundfunk, doch bestand im Lande bereits eine gut organisierte Nachrichtenübermittlung durch Zeitung und Telegraphie. Das öffentliche Interesse an Naturbeobachtungen und Naturwissenschaften war zu jener Zeit offenbar sehr groß. Auf Grund dieser günstigen Umstände konnte der Autor ein umfassendes makroseismisches Beobachtungsmaterial zusammentragen. Es ist so reichhaltig, daß sich der Isoseistenverlauf und einige Herdparameter des Bebens verhältnismäßig gut bestimmen lassen. Darüberhinaus stellen die Dokumente – nach angemessener Quellenkritik – allein schon einen Wert dar, indem sie als Kompilation von Beobachtungsdaten einschließlich deren Interpretation die Art und Weise der makroseismischen Bearbeitung, insbesondere historischer Beben, demonstrieren. Weiterhin gibt die Arbeit eine Übersicht über zeitgenössische Untersuchungsergebnisse und Interpretationen des Mitteldeutschen Erdbebens.

Die wichtigsten zeitgenössischen Autoren von Arbeiten zum Mitteldeutschen Erdbeben sind v. SEEBACH, GREBE und GIEBEL. Ersterer hat eine für damalige Verhältnisse grundlegende – auch wissenschaftshistorisch interessante – Abhandlung über dieses Beben mit vorwiegend beschreibendem Charakter verfaßt. Er veranlaßte eine umfassende Befragung u. a. sämtlicher Dienststellen des Eisenbahntelegraphendienstes durch die Versendung vorgedruckter Antwortkarten. Damit nahm er – freilich mit noch unvollkommenen Voraussetzungen – ein Verfahren heutiger Erdbebendienste vorweg. Das Ergebnis dieser Befragung bildet den dominierenden Teil der hier vorliegenden Dokumentation. An zweiter Stelle in der Wichtigkeit stehen Zeitungsmeldungen. Auch Orts- und Kirchenchroniken bilden eine wichtige Informationsquelle.

Es erfolgt eine Klassifizierung der vorliegenden Berichte in Quellengattungen sowie eine Einordnung hinsichtlich ihrer seismologischen Aussagekraft. Insgesamt wurden 564 Einzelberichte aus 408 Ortschaften verarbeitet. In der Dokumentation werden die geschätzte Intensität und die beiden Quellengattungen angegeben. Es werden eine makroseismische Karte des Schütgebietes des Bebens vorgelegt und ihre Anomalien diskutiert.

*) Author's address: Dr. GOTTFRIED GRÜNTAL, Geoforschungszentrum Potsdam, Telegrafenberg A26, D-O-1561 Potsdam.

**) With 9 Figs. as well as the Figs. 1 to 5 according to v. SEEBACH (1873) illustrating his reports on the towns Cheb and Apolda (in the Annex) which are used here in the original numbering.

Abstract

The Central German earthquake of March 6th 1872 with the focal area on the eastern rim of the Thuringian Basin, with a focal depth of approx. 12 km, reached the maximum intensity of VII-VIII of the MSK-scale. It belongs to the largest and best documented events in this region of rather moderate seismic activity. It therefore establishes key information for earthquake hazard analysis. At the time of the earthquake seismographs and radio were not yet invented. But there was already a well-organized communication by newspaper and telegraph. Public interest in observation of nature and in natural sciences at that time was well developed. Due to these favourable conditions the author was able to compile comprehensive macroseismic observation material. It is so abundant that the course of isoseismals and several focal parameters of the event can be relatively well determined. Moreover, the documents themselves – appropriate source critique provided – are of great value. They demonstrate, as a compilation of observational data, including their interpretation, the macroseismic procedure, especially of historical events. Furthermore, in this contribution contemporary investigation results and interpretations of the Central German earthquake are reviewed.

The most important contemporary authors of papers on the Central German earthquake are: v. SEEBACH, GREBE and GIEBEL. The former wrote a – for the circumstances of that time – fundamental essay of predominantly descriptive character on this earthquake. This paper is also interesting under the aspect of history of science. v. SEEBACH initiated an extensive enquiry at all the offices of the railway-telegraph-service by dispatching printed reply-cards. Thus, he anticipated – though yet by inadequate means – a procedure used by today's earthquake services. The result of this enquiry comprises the dominating part of the documentation presented here. The great number of newspaper notices hold the second place of importance. Chronicles of villages, towns and churches also provide an important source of information.

There follows a classification of the available reports, according to their origin and according to their seismological evidence. Altogether 564 single reports concerning 408 townships were used. In the documentation the estimated intensity and both classes of sources are indicated. A macroseismic map of the earthquake is presented and its anomalies are discussed.

1. Introduction

A relatively strong earthquake – for Central European conditions – occurred in the most eastern part of Thuringia on March 6th, 1872, at 5 minutes to 4 p.m. local time. Seismogeographically, the epicentre of this earthquake belongs to the Saxothuringian seismic province which represents a singular zone of increased intraplate seismic activity. Fig. 1 shows how this seismic province fits into the seismicity pattern of Central Europe. It presents the epicentres of known damaging earthquakes of Central Europe *sensu lato*. In more detail, the catalogued earthquakes of the Saxothuringian seismic province are shown in Fig. 2.

The 1872 earthquake is one of the strongest events of this seismic province since the 9th century, i.e. the time when first written documents, reporting also on significant earthquakes, appeared with regard to the region between the rivers Saale and Elbe. This quake is definitely the strongest one of this region since 1600 A.D.

The epicentral area of the 1872 earthquake represents obviously a separate local focal zone within the Saxothuringian seismic province. Except for a few minor quakes, this local zone east of the town Gera (cf. Fig. 9) has shown no seismic activity within the 20th century. During the 19th century several significant events occurred there before and after the 1872 quake: e.g. in 1857 and in 1883 with epicentral intensities between 5° and 6° of the MSK-scale – for more details see the earthquake catalogue of the former GDR region by GRÜNTAL (1988).

The seismotectonics of the Saxothuringian seismic province is not fully understood up to now. The majority of events of this seismic province clearly reflects a N–S elongation which corresponds with a N–S directed overregional bundle of photolineations of satellite images (see Fig. 3) whereas practically all first and second order tectonic faults strike NW–SE or in the conjugate direction. According to the prevailing NW–SE directed maximum horizontal compressive

stress in the crustal seismogenic depth range (GRÜNTAL and STROMEYER, 1991), N–S and E–W directed faults should be those ones with maximum horizontal shear and therefore highly prone to earthquakes. The local focal zone east of Gera, to which the 1872 event belongs, is additionally characterized by an intersection of these N–S tectonic elements, traceable most clearly as photolineations, with a first order NW–SE directed fault (see Fig. 3).

Since the 1872 earthquake occurred in the centre of 'Central Germany' (a geographical term which was frequently used in former time) v. SEEBACH, the author of the most important contemporary treatise on this event, introduced the apt name 'Central German earthquake' (Mitteldeutsches Erdbeben). This term has been kept up in practically all subsequent papers dealing with this event. This earthquake is of decisive importance for the evaluation of seismicity and seismic hazard of Central Germany. For that reason the seismological aspect of the reevaluation of this earthquake presented here is the main topic and not considerations of scientific-historical views which the rich existing historical sources would also allow. The aim of this paper is the compilation – as exhaustive as possible – of macroseismic observations of this earthquake to derive a detailed macroseismic map and to obtain the main focal parameters.

Earlier re-interpretations of this earthquake have been published by DE LLARENA (1925) and later by SPONHEUER & GRÜNTAL (1981). DE LLARENA (1925) carried out an intensity evaluation only of those macroseismic reports which were compiled by v. SEEBACH (1873) on the basis of the MSK-scale. DE LLARENA in many cases assessed intensity values which are obviously exaggerated. The re-evaluation by SPONHEUER & GRÜNTAL (1981) was restricted to the area of the former GDR using the data by v. SEEBACH (1873) including several local chronicles. The re-evaluation presented here has been based on a considerably extended data set, i.e. on different contemporary compilations of observations as well as newspaper reports

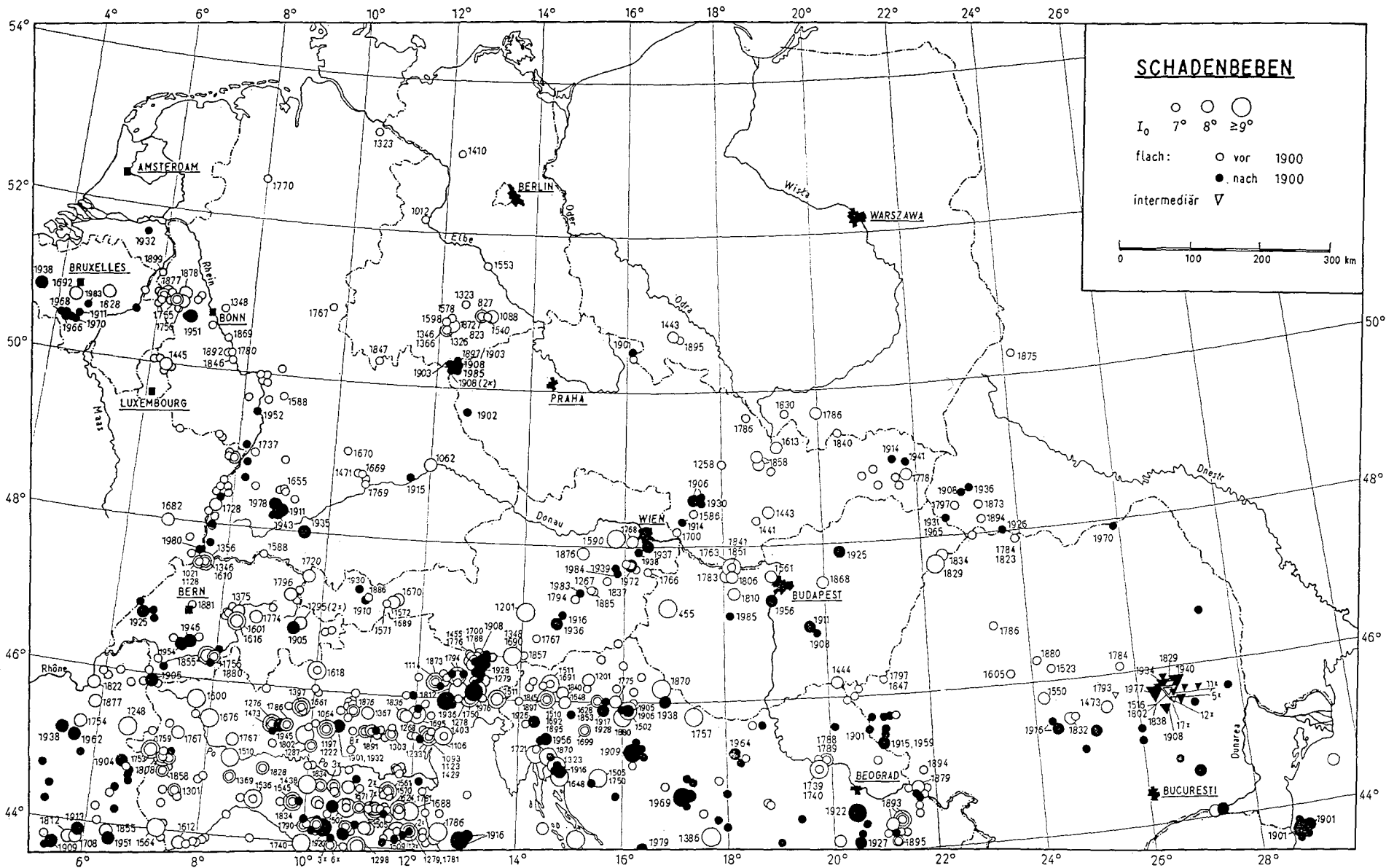


Fig. 1. Known damaging earthquakes in Central Europe sensu lato (GRÜNTAL, 1988). The epicentres in the central and southern part of the former GDR mark the singular Saxothuringian seismic province. The epicentre of the 1872 Central German earthquake is located at 50.86N and 12.28E.

GRÜNTAL, 1985

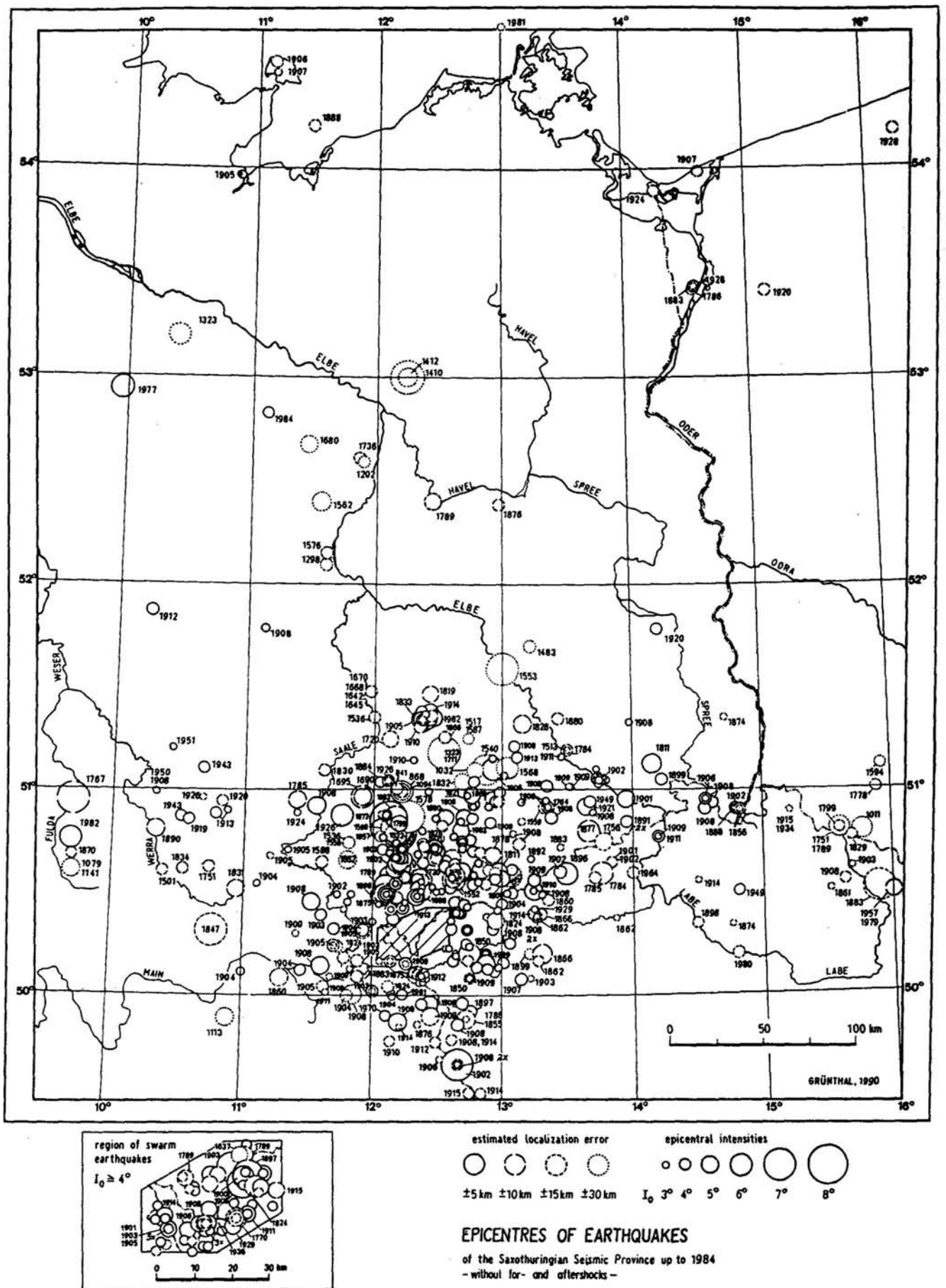


Fig. 2. Epicentres of the Saxothuringian seismic province and adjacent areas after GRÜNTAL(1988).

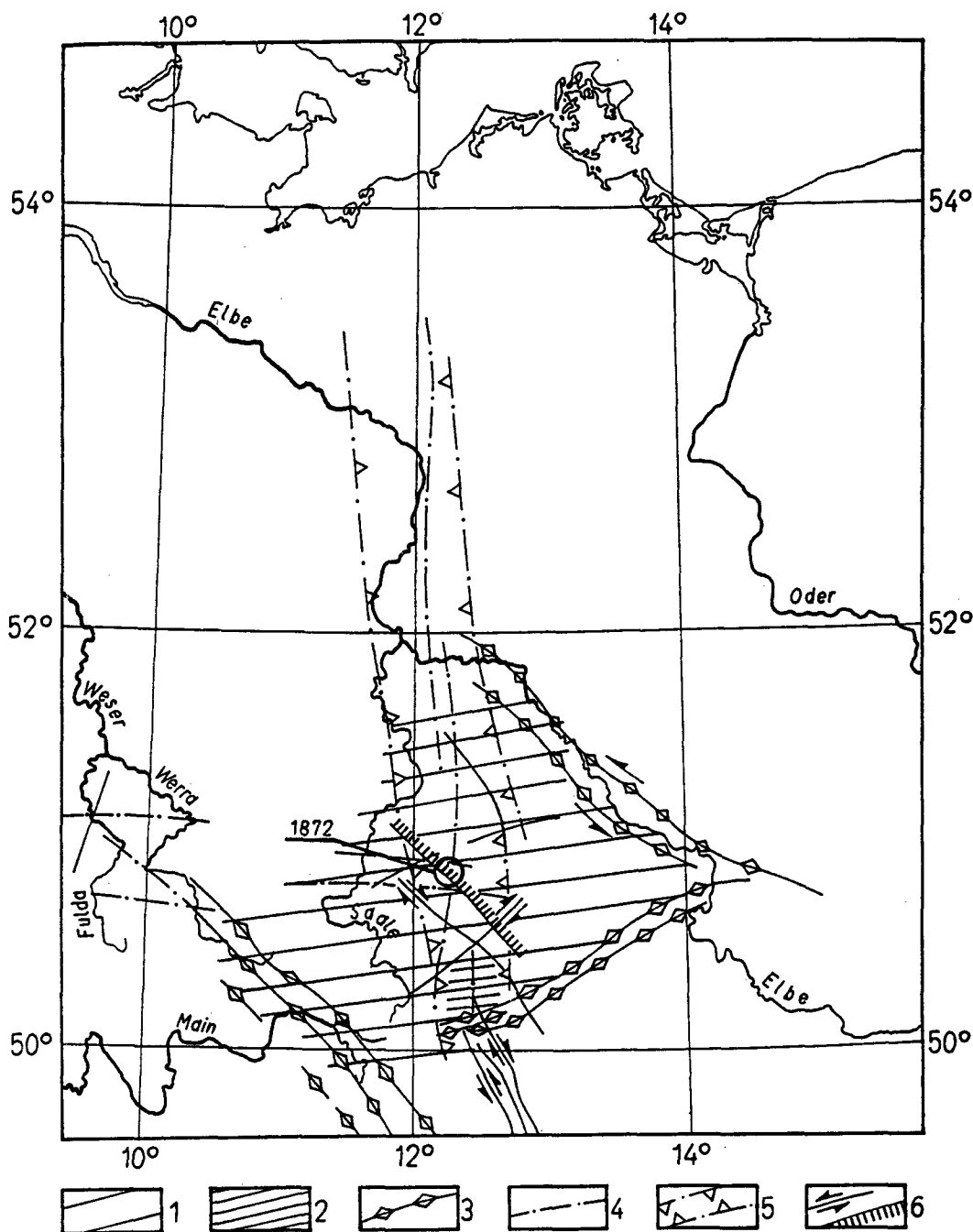


Fig. 3. Scheme of a tentative connection of seismicity and major fault tectonic elements and the epicentre of the 1872 earthquake. 1 = Saxothuringian seismic province; 2 = focal area of earthquake swarms; 3 = faults or fault systems delineating the seismic province; 4 = photolineations derived from satellite images; 5 = delimitation of an overregional N-S- up to NNW-SSE-directed bundle of photolineations; 6 = post-Oligocene active faults, probably connected with seismic activity (GRÜNTAL, 1990).

and remarks in local chronicles. Their macroseismic interpretation leads to a new presentation of the whole macroseismic field of this earthquake taking into account the actual scientific standard. The derived focal parameters differ only slightly from those previously determined by GRÜNTAL & SPONHEUER (1981).

2. Sources

2.1. General Evaluation of the State of Sources

The amount and quality of available information on the 1872 earthquake can be assessed as decidedly good. But this is not an exceptional case – the conditions are similar for most of the events of the second half of the 19th century. Due to the regional importance of this quake, those with scientific interests were par-

ticularly concerned to devote their attention to this natural phenomenon; this found its expression in numerous publications. Many of these activities were connected with scientific societies and clubs or were made under their auspices in different towns. These activities were especially dedicated to the study of local history, local nature, and natural phenomena; such as earthquakes. Often, rather detailed information on earthquakes was collected by society members and published, along with its contemporary interpretations, in these societies' own journals.

Within the second half of the 19th century, at least for large parts of Germany, great attention was paid to the general description of nature and natural phenomena like earthquakes. This historical circumstance favours a detailed treatment or reevaluation of such events. The investigation of the 1872 earthquake presented here, has been based on 78 sources. But it has to be stressed that the potential material is by no means

exhausted and there is a high probability that additional sources could be found.

The sources available can be classified into the following three main groups:

- 1) Contemporary published collections of original observations.
- 2) Usually extensive reports in local newspapers.
- 3) Notices in local chronicles.

Most of the information quoted here is from the first group of sources which is included in this paper to a large extent. Clearly less information is obtainable from the group of local chronicles. Presumably, further numerous local chronicles containing notices about the Central German earthquake exist which are not considered here.

The most important collections of original observations are those by v. SEEBACH (1873), GREBE (1872) and GIEBEL (1872). These three do not restrict themselves to the presentation of local reports. These basic works are discussed below.

From the separately published contemporary sources with special local reports the following ones should be mentioned: KRAUSE (1873) – collecting the earthquake effects in the town Gera, GEINITZ (1872) – with reports from Dresden and WOHLFAHRT (1872) – with detailed information on the sudden occurrence of a spring in the epicentral area.

There is a further group of contemporary publications on the Central German earthquake in which the then existing knowledge and understanding of this quake is summarized without dealing with details of what was observed macroseismically. Such publications are of less importance here. They are devoted, mostly as secondary papers, to such questions as the determination of the propagation velocities of elastic waves, the localization of the epicentre, the determination of the focal depth or to the causes of the respective quakes. To this group of sources we have to count among others: v. GÜMBEL (1873) and GUTHE (1874) giving an extensive reflection and appreciation of the seismological research results by v. SEEBACH (1873); additionally e.g. ROTH (1872), but also anonymous papers like those ones in the bimonthly journal "Aus der Natur" (1872 a,b). Finally, the group of "later" classic earthquake catalogues should be mentioned, in which one can usually find, mostly rather scanty, listings of localities where the Central German earthquake was felt; such catalogues are those by FUCHS (1885), SPONHEUER (1952), and KÁRNÍK et al. (1957). Only Bohemian localities are mentioned in the latter, in a rather summarizing way. Generally an intensity of 4° (MSK) has been assigned to these Bohemian villages or towns; this is obviously too strong a simplification. A more extensive list of localities, some with intensity evaluations, is included in the earthquake catalogue by SPONHEUER (1952). Besides the sources referred to in this paper, SPONHEUER (1952) and KÁRNÍK et al. (1957) mention additional ones. But these are mostly of comprehensive character, dealing with the earthquake of 1872, but – like the catalogues mentioned – not containing any usable information for the purpose of this paper. It should be pointed out once more, that in this paper authentic contemporary reports of observed macroseismic effects are the main interest, allowing a macroseismic intensity evaluation. Abundant additional secondary publications on this earthquake containing

either only redundant information or information not usable here, are not considered in this paper. Also, numerous contemporary reports in newspapers which were issued in a large variety and mostly very locally during the second half of the 19th century, are used.

2.2. The Main Contemporary Sources

v. SEEBACH (1873)

The most important contemporary paper on the Central German earthquake is that by the geology professor in Göttingen, KARL von SEEBACH, who had already gained a scientific reputation in the 1870s due to his previous thorough volcanological studies. With his treatise on the Central German earthquake he entered a scientific field which was new for him. This paper by v. SEEBACH was assessed as a milestone of geoscientific research in its time which is reflected in contemporary quotations. Two of them are given here: GUTHE (1874) appreciated the work by v. SEEBACH as

" ... the most important contribution to the science on earthquakes, ... which Germany has delivered up to now ... "

GÜMBEL (1873) wrote:

" ... daß wir diese überaus mühevollen und doch strengkritische, wie in der Methode der Forschung ganz neue Bahnen einschlagende, höchst verdienstliche Arbeit als die seit Mallets klassischer Darstellung des neapolitanischen Erdbebens vom 16. Dezember 1857 unbestritten bedeutendste Schrift über diesen Stoff bezeichnen müssen. Ja wir dürfen hoffen, daß mit ihr eine neue Periode in der gründlichen Erforschung und in der genaueren Erkenntnis der Natur der Erdbeben beginnen wird ... " (" ... That we have to account this exceedingly troublesome but, however, strictly critical, highly meritorious work as the indisputably most important paper on this matter since Mallet's classic presentation of the Neapolitan earthquake of 1857, December 16. Yes, we have reason to hope that with it a new period in the thorough investigation and in the more exact understanding of the nature of earthquakes will start ... ")

Given the central importance of v. SEEBACH's work for the re-interpretation of the Central German earthquake, here in his own words is his report of how he succeeded in compiling such exceedingly rich observational material:

" ... On March 6, 1872 an earthquake shook the ground at Göttingen. Immediately after, it was decided to collect all available reports pertaining to the earthquake in order to analyze them by the method of R. Mallet¹⁾ which seems to be hardly known in Germany. To this purpose all notes to be found in numerous public papers in the reading-room of the local literary museum were collected. At the same time, support was requested and received in ample extent from colleagues elsewhere, from friends and relatives. For this help I repeat my cordial thanks in public.

By this way a first survey of the earthquake was obtained. Then the most important facts were compiled to a short preliminary report on March 21 and, indicating the most important items, further communications were requested. The same report first appeared in no. 2522 of the "Göttinger Zeitung" (newspaper) on March 23 and reprints were mailed to different places. The report being reprinted in several – for the most part very well reputed – newspapers was probably distributed throughout the effected region. The response to this public request was not as plentiful as anticipated. Nevertheless an appreciable number of gentlemen and ladies supported me most kindly with valuable reports, thus considerably enriching and amplifying the data available. May I herewith repeat my warmest thanks.

Looking at the problems to be solved first for this, as for all other earthquakes, and checking the methods applicable for solving them, it soon became evident how important the exact determination of the time at which the impact was felt in the individual localities must be. The first reports collected from the newspapers in this respect were rather scanty and testified sadly to the limited ability of

1) The great Neapolitan Earthquake of 1857. London 1862, 2 vols.

the so-called educated German public of exact observation. Therefore, in the preliminary report of March 21 the request for further precise time determinations was addressed particularly to the officers of the telegraph and railway stations who might evidently best fill this gap. In order to give greater emphasis to this demand, I sent on March 25 a special copy of my short preliminary report to the Imperial General Telegraph Administration as well, adjoining the respectful petition for official support in this matter. The Imperial General Telegraph Administration responded at once to this petition with the kind disposition with which scientific endeavours have always been met by this authority. On April 5 a decree appeared in no. 6 of the "Amtsblatt der Deutschen Reichs-Telegraphen-Verwaltung" (Official Gazette of the German Imperial Telegraph Administration) in which all the imperial telegraph stations were ordered to answer 6 particular questions concerning the earthquake of March 6 and at the same time, according to my request, to direct greater attention for the future to possible earthquakes²⁾. On May 2 the Imperial General Telegraph Administration kindly sent me the originals of the 51 reports received. Only by addition of this ample material it was possible to attempt the following task. Therefore, I am greatly indebted to the individual officers who reported their observations, in particular to the Imperial General Telegraph Administration for their reports appointed and delivered.

Finally, it was considered whether to request reports, as in the case of earlier earthquakes, from the administrative authorities in the shaken areas, but the idea was abandoned. Apart from the fact that, for this extensive earthquake, the date of the earthquake – promise an adequate degree of accuracy and reliability. The published number of locations affected by the earthquake would certainly be greatly increased. But it is doubtful whether the material for a scientific investigation of the whole phenomenon – suitable at least in the present state of science – would be substantially augmented thereby. Meanwhile in order to make the collected reports accessible to contemporary colleagues as well as to posterity – who in turn will approach the sorting and evaluation with sharper weapons – the present reports (insofar as they seem of any importance) are dutifully reprinted verbatim. The following paper therefore consists of 4 parts, namely first of a compilation of the collected original reports, second of the comprehensive presentation of the outward phenomena and effects of the earthquake, third of the theoretical reflections on earthquakes in general and on the event of March 6, 1872 in particular and fourth of results and comparisons.

I
Collection of original reports about the earthquake of
March 6, 1872.

The following collection comprises not only the handwritten communications sent to me, but also all suitable newspaper notes. In all cases the observers and my sources are given. Where this information is missing, the Report is taken from newspaper-cuttings which

²⁾ This decree is worded as follows:

Inquiry concerning the earthquake of March 6
For the purpose of a detailed scientific investigation of phenomena which accompanied the earthquake of March 6 of this year it is important to have quite a lot of observations. The imperial telegraph stations are therefore ordered to reply directly to the general administration within the next fortnight answering the following questions:

- 1) Did any officers of the station on March 6 of this year observe any phenomenon and which in connection with the earthquake?
- 2) Were only more or less strong motions noticed or were these also accompanied by a subterranean thunderlike noise?
- 3) Were these strong motions recognizable as waves, and from which and in which direction?
- 4) In which direction was the plane of motion of the pendulum where pendulum-clocks stopped?
- 5) In which direction did light objects fall?
- 6) At which time (hours and minutes Berlintime) were these phenomena observed?

Reliable statements only are of value.

No letter of advice is required from such stations where nothing was observed and none of the above questions can be answered. On the other hand the stations are now ordered to pay attention to analog phenomena should they re-occur and to report their observations by answering the above questions as soon as possible.

Berlin, April 5, 1872

arrived without statement of the respective title. So far as possible, I have even for this case endeavoured to facilitate the tracing of the source. All communications are, as mentioned above, so elaborately rendered (in most cases verbatim) that they permit every critique and every subsequent independent use ... "

In this way, v. SEEBACH got a compilation containing 324 localities. The data from 223 localities, i.e. villages or towns, appear to be suitable to be included in the revaluation and therefore in this paper. In the other cases, either v. SEEBACH solely mentioned the localities where the quake obviously has been felt or his data are not useful for a macroseismic interpretation, which means that such localities are not considered for this work. The map compiled by him is shown in Fig. 4. The "pleistoseist belt" according to v. SEEBACH describes that area where remarkable changes in flow of springs, their falling dry and the occurrence of completely new springs were observed immediately after the earthquake. The first "isoseistische" (isoseismic) curve describes rather spaciouly the "border of damage to buildings" according to today's interpretation.

v. SEEBACH did not focus his investigation of the Central German earthquake on a macroseismic analysis – since conventional macroseismic practices were not generally in use at that time. He was mainly interested in applying a method already proposed by HOPKINS (1847) and first applied by him to determine the epicentre from the arrival times of the shock at different observation points. According to HOPKINS' definition, two observation points which were shaken at the same time are lying on a supposed circular homoseism (Homoseiste). When two localities on a homoseism are connected by a straight line, which is bisected and the perpendicular is constructed, then the epicentre is within the area of the intersecting points of all perpendiculars (Fig. 5). This, from the basic idea, is practically the modern method which applies several stations for the location – which is based on instrumentally seismic recordings – while v. SEEBACH relied solely on those time recordings which were submitted to him by persons who felt the quake. Naturally, this is a hopeless undertaking, despite his efforts to receive useful timings. There is no wonder that he got a rather wrong epicentre (50° 36'.6 northern latitude and 8° 41'.25 eastern longitude of Paris) which is near to the town Ilmenau. This location lies about 90 km away from the true epicentre – the area of the strongest shakings. The time readings, which allowed v. SEEBACH to get at least this result, were chiefly the data of the German Imperial Telegraph Stations (Kaiserliche Telegraphen-Stationen). Based on excessive, unrealistic requirements he critically concluded that

" ... the collected data on exact time determinations are very poor and bear witness to the limited qualification of the so-called educated German public for the reporting of exact observations ... "

But so convinced was he of this method, he adhered to his location and explained the large difference between his epicentral determination and the area of strongest shakings by inhomogeneities in the subsurface, also considering the special importance of tectonic faults on which the seismic waves should be guided predominantly. GÜMBEL (1873) mentioned:

" ... that the true centre of the earthquake is lying on a fault which is obliquely sloped, penetrating into the interior of the earth's crust and that herewith the shakings, following this fissure, are shifted laterally from the interior towards to the surface ... "

Fig. 4.
 Facsimile of the macroseismic map of the Central German earthquake of 1872 after v. SEEBACH (1873) with the following legend.

- The pleistocene belt.
- 1st isoseismal, probable border of damages at buildings.
- 2nd isoseismal, probable border of accompanying sound phenomenon.
- 3rd isoseismal, probable border of the whole shaken area.
- Sites with reports of damage to buildings are underlined.
- Marking of sites from which reports of the sound phenomenon with a small circle.
- The arrows mark the direction from which the shock supposedly was perceived.
- The epicentre is indicated by a star.

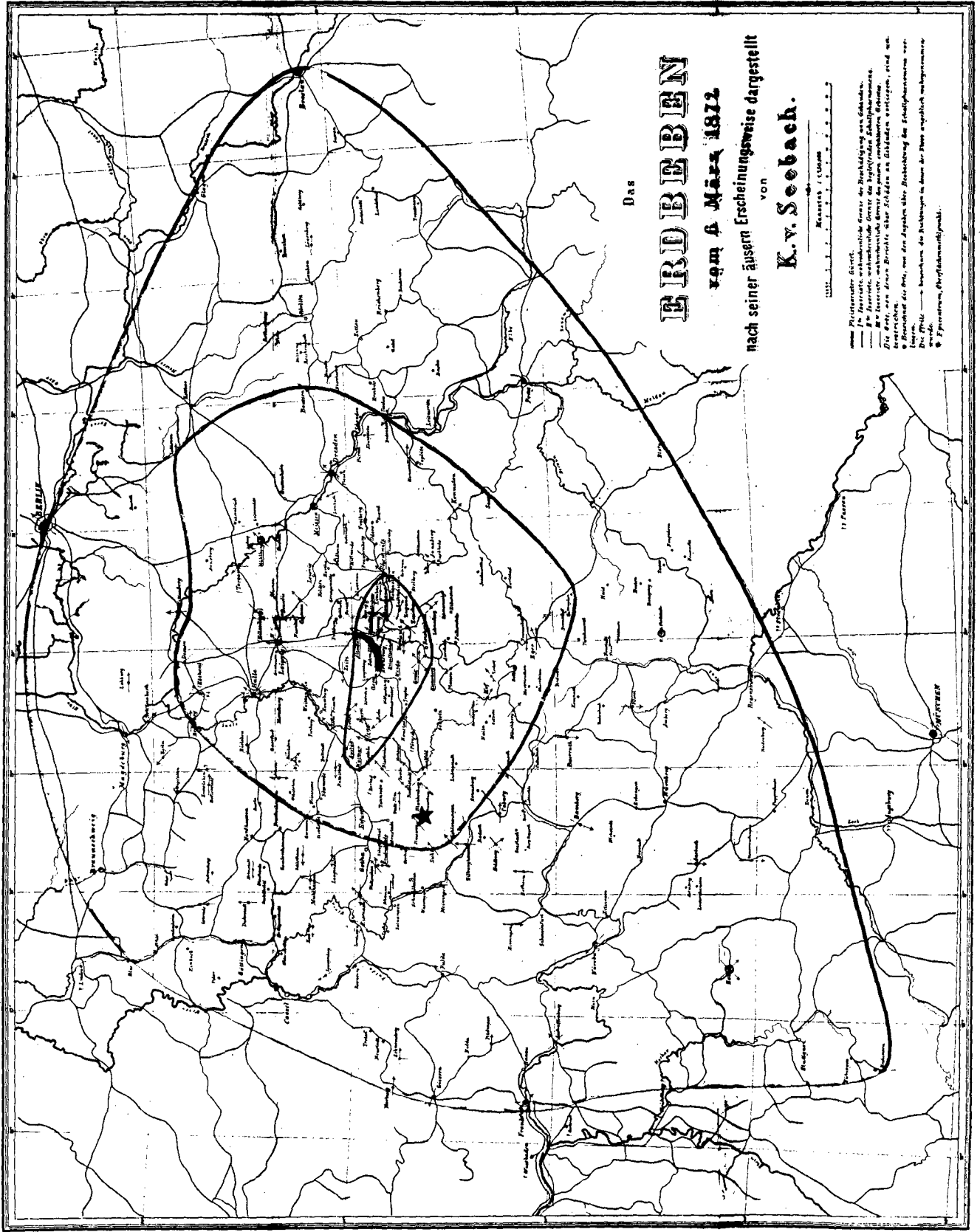
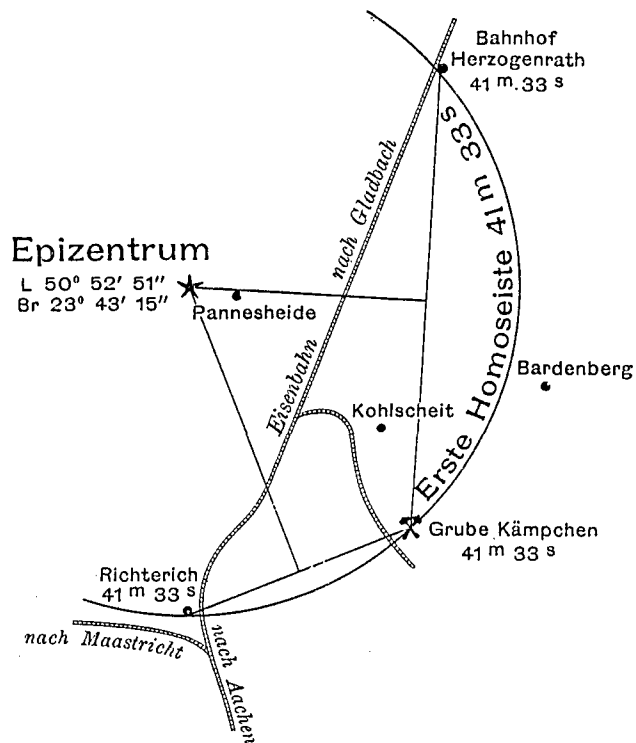


Fig. 96.



Graphische Bestimmung eines Epizentrums
nach N. v. Lasaulx.

Fig. 5.
Method of homoseismes for the epicentre determination after HOPKINS (1847) at the example of the Herzogenrath earthquake, Oct. 22, 1873, after v. LASAULX (1874).

v. SEEBACH proposed a method for the computation of the focal depth from the observed travel times of the shakings. But the accuracy of the time readings did not allow the successful application of his method. So he was forced to use MALLET's method which follows from

the assumption that the so-called shock-lines (Stoßlinien), derivable from the main fissures in earthquake damaged buildings, should be directed on the hypocentre (Fig. 6). The intersections of several of such shock-lines should yield the position of the earthquake focus in the subsurface. On the basis of those fissures observed e.g. in Apolda (cf. the respective report given in this paper), v. SEEBACH got as the result the depth range of 1.94–2.91 geographical miles. The mean value of this interval corresponds to 19.85 km. This depth value appeared astonishingly small to the contemporaries. According to the considerable extent of the shaken area they expected a considerably larger focal depth.

GREBE (1872)

From today's view, the paper by GREBE (1872) seems barely less important than the one by v. SEEBACH. But in its time, it did not receive a comparable appreciation. This may have been for more than one reason:

- 1) GREBE's work appeared in a little circulated and hardly accessible paper, namely in the invitation to the public examination of the pupils of the primary school of the first order in Cassel (Fig. 7). There, GREBE was the deputy head teacher.
- 2) He did not add to his presentation of the observational facts a puffed up treatise like v. SEEBACH (which proved later to be a scientific dead end).

GREBE summarized all the information available to him in a tabulated form using the following scheme:

- 1) Numbering of the localities (for identifying them on a map included in his publication).
- 2) Names of the localities.
- 3) Timings.
- 4) Direction data on the first shock.
- 5) Number of shakings.
- 6) Sound.
- 7) Miscellaneous remarks or observations.

A clear drawback of his compilation is that he gives no references. 223 localities are in his list. The data

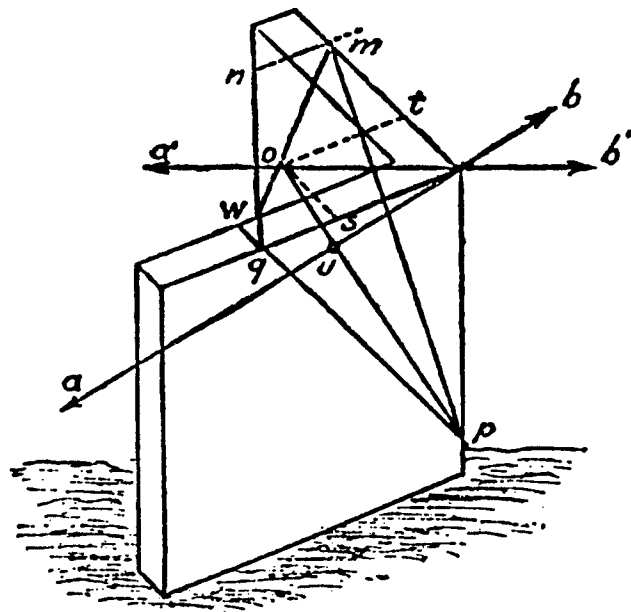
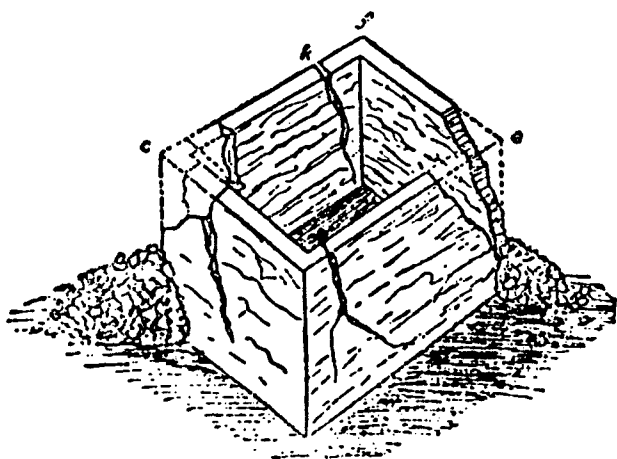
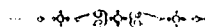


Fig. 6.
Focal depth determination from the directions of main fissures in buildings after MALLET (1862) from HOBBS & RUSKA (1910).
The line *op* should be directed to the focus.

Zu der
öffentlichen Prüfung
der
Schüler der städtischen Realschule erster Ordnung,
welche
Mittwoch 25., Donnerstag 26. und Freitag 27. Sept. d. J.
NORMITTAGS VON 8 UHR AB,
in der Aula der Realschule I. Ordnung
gehalten werden wird,
ladet
die geehrten Eltern und Angehörigen der Schüler, sowie die Freunde und Beschützer
des Schulwesens
ehrerbietigst und ergebenst ein
der
Director Dr. A. Preime.

- Inhalt: 1) Beiträge zur Kenntniss der Erderschütterung vom 6. März 1872 von Oberlehrer L. Grebe (nebst einer Karte).
2) Schulnachrichten von dem Director Dr. Preime.



Cassel 1872.

Druck von Fr. Schöel.

Fig. 7.
Facsimile of the front page of the publication where GREBE's work appeared.

from 124 localities correspond to those criteria mentioned in the preceding paragraph – this means that they are considered in this paper. The map outlined by GREBE is presented here as Fig. 8. He critically argues with the contemporary interpretation methods in his discussions (“Erörterungen”).

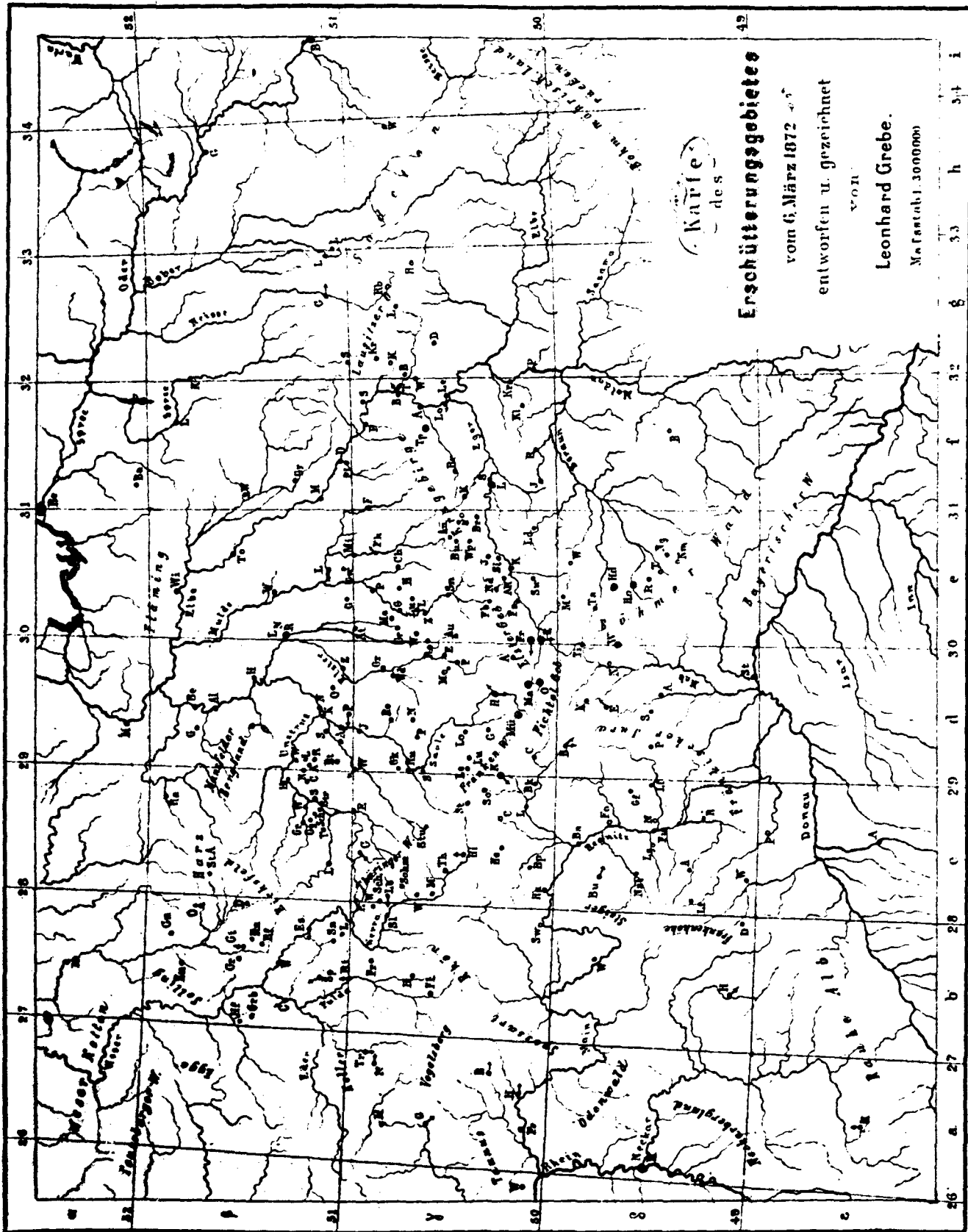
He emphasized that due to refraction and reflection of the elastic waves, it is “completely inadmissible” to determine the epicentre, or as he writes, the central point of shocks (Stoßmittelpunkt), from the perceived directions from which the shock supposedly seems to

arrive. He remarks to v. SEEBACH's intention to locate the earthquake from macroseismic timings:

“... It seems to be wholly very ventured trying to force a locality, representing the centre of shakings, based on the few useful time recordings of our shaking ...”

In a polemic way he does the accounts with old-plutonistic views (without mentioning references), whose complete opponent GREBE was. These old-plutonists would like to see (according to GREBE) the earthquake focus near to the Kammerbühl – a Quarternary volcano north of Cheb (Eger), some 70 km south

Fig. 8.
Facsimile of the map
showing the shaken
area on March 6,
1872, by
GREBE (1872).



Lith. u. Druck v. Armann & Pillmeier, Cassel

of the epicentre of the 1872 quake. Due to Goethe's geological studies on this volcano its treatment was rather popular in the 19th century, although it represents a rather small and unimportant isolated volcanic feature with probably only one eruption phase at about 0.85 ± 0.1 million years B.P. (ŠIBRAVA & HAVLIČEK, 1980).

To the regret of the plutonists, "unfortunately the both buildings in Eger, which several newspapers (Kurier für Niederbayern, Hofer Anzeiger) let collapse, are still well standing" (Bohemia, Correspondenzen aus Eger). According to their ideas that "volcanic and earthquake appearances" would create a close connection, the earthquake (from 1872) would nicely be explained by the "closed safety-valve, which then the Kammerbühl near Eger would represent".

GIEBEL (1872)

A less extensive but nevertheless important collection of data on the Central German earthquake was presented by GIEBEL (1872) consisting of reports from Halle and its surroundings. These data have evidently not been considered in previous treatments on this earthquake. They cover an area which remained more or less free of information in the data collections by v. SEEBACH (1873) and by GREBE (1872). For Halle alone he compiled eight realistic and extensive recitals of facts; added to by reports from 23 localities in the surroundings of Halle. Furthermore, GIEBEL gives a representative view on other observations from the whole shaken area. These will not be referred to here, because they are either only summarizing, or the original sources are used for this paper.

2.3. Selection of Usable Information from the Sources and its Representation

Because the macroseismic aspect of this earthquake is the topic of this consideration, only that information which allows a macroseismic evaluation is dealt with and presented from the available sources; i.e. general observations on weather, on barometer-readings, kinds of winds, and on partly extensive descriptions on the supposed direction from which the movement seemed to arrive and too long-winded considerations on time-markings in the respective quotations are left out here. Also those localities are dropped which are given in the sources without any information on the macroseismic effects there.

Therefore 116 localities given by v. SEEBACH (1873) and 109 locations by GREBE (1872) have been omitted. Those localities for which solely the mentioned meteorological observations exist are also omitted. The only exceptions are the locations at the outer border of the shaken area with very weak perceptions. Their only mentioning the earthquake, e.g. "the quake was felt too", is reasonably included in a macroseismic data set which is intended to be as complete as possible. It has to be pointed out that such simple mentioning of names of localities is frequently the only source of information for quakes from former centuries, e.g. from the middle-ages.

If an intensity evaluation is given in the references to a locality name, which is the case here only for SPONHEUER (1952) and for KARNIK et al. (1957, mentioning Bohemian locations) then such a location has been

considered here when no other information on such a site could be found or when such information is rather meagre. If the same or very similar descriptions are made in different sources, they are represented here only once. In these cases, as a rule, the earliest published source is referred to.

All sources or quotations which could be compiled in the above described manner, are presented in the following compilation. All information, regarding to one and the same locality, are grouped together. This joint information again has been alphabetically ordered on the basis of today's spelling. In cases where today's spelling differs from the one which was officially in use at the time when the sources were published, the historical spelling is also given since reference is made to the historical spelling in the represented texts. Altogether, there are 564 single reports from 408 localities which could be included into this compilation in the described way – 262 single reports originally compiled by v. SEEBACH (1873); the other data or descriptions stem from 77 further sources. The compilation of reports, locality-wise alphabetically ordered, is given in the appendix of this study.

3. Macroscopic Evaluation and Interpretation

3.1. Source Categories and Information Content of Sources

For a quality assessment of the intended macroseismic evaluation, it makes sense to classify the compiled descriptions with regard to (1) their source categories and to (2) their information content. The sources of the collected and usable data on the Central German earthquake can be separated into the following three categories:

- A) Contemporary descriptions
 - Personal notices of eyewitnesses in the original wording.
 - Detailed and objective contemporary reports or messages in journals which are obviously eyewitness information and official writings (e.g. those of the imperial telegraph service).
- B) Annals, chronicles and historical summarizing representations.
 - Contemporary objective and mostly condensed information on occurrences which can possibly be inexact or incomplete in details (i.e. no eyewitness information).
 - Short messages on observations which can be assumed as reliable.
- C) Papers from the 20th century.
 - Information without or without verifiable reference.
 - Information in classic earthquake catalogues (e.g. SPONHEUER, 1952 or KARNIK et al., 1957).

It is clear that such a definition of source categories, tailor-made for the information available on the Central German earthquake, is not free of subjectivity and a differing classification could also be imagined. Especially we have to consider that such a grouping has to be adjusted to the special historical situation and to the special cultural complex; i.e. that the sources on

earthquakes from e.g. the late middle-ages require appropriately modified criteria (cf. GUTDEUTSCH et al., 1987).

Additionally, the sources can be classified regarding their information content or quality for the evaluation of macroseismic intensities. Here, the following four categories of suitability or quality were introduced:

- Detailed macroseismic information allowing a relatively sure intensity evaluation.
- Sufficient macroseismic information to allow a satisfactory intensity evaluation.
- Scanty macroseismic information allowing only an unsure intensity evaluation.
- Given but non-verifiable intensity information.

In this way the information from the localities considered could be referred to a source category and to a quality category, and this has been compiled in Table 1. The given source categories are related in case of localities with different available sources to those ones with the largest information content for the evaluation of intensities. An overview on the frequencies of the occurrence of the single categories is given in Table 2.

Table 1.
List of localities with source category, quality category and evaluated intensity.
Half degrees as 4.5 are used in the meaning of uncertain intensity determinations, e.i. as 4–5 degrees.

Nr.	Locality	Source category	Quality category of information	Evaluated intensity
1	Allerstedt	A	a	5
2	Alsleben	A	c	4.5
3	Aitdorf	B	b	4.5
4	Altenburg	A	a	6.5
5	Amberg	B	c	3
6	Andreasberg	B	c	3
7	Annaberg-Buchholz	A	a	5
8	Annaburg	A	a	5
9	Ansbach	B	b	4
10	Apfelstedt	B	c	5 (-)
11	Apolda	A	a	6
12	Arnstadt	B	c	5
13	Artern	A	a	5 (+)
14	Arzberg (Krs. Torgau)	A	a	5
15	Aschaffenburg	B	b	4
16	Augsburg	B	c	3
17	Auma	A	a	6
18	Bad Berka	B	c	4 (?)
19	Bad Blankenburg	B	b	5.5
20	Bad Gandersheim	B	c	5 (?)
21	Bad Kissingen	B	c	3
22	Bad Kösen	A	b	5
23	Bad Köstritz	A	c	6.5(?)
24	Bad Langensalza	B	b	4 (+)
25	Bad Liebenstein	B	c	4 (?)
26	Bad Salzungen	B	b	5.5
27	Bad Schandau	B	c	4
28	Bad Sulza, OT Bergsulza	B	c	5.5
29	Ballenstedt	A	a	4
30	Bamberg	A	a	4
31	Banz	B	a	5.5
32	Baruth	B	b	4
33	Bautzen	C	b	3
34	Bayreuth	A	a	5
35	Benešov nad Ploučnicí	B	c	4 (+)
36	Berga/Elster	A	a	6.5
37	Berlin	B	b	4.5(?)
38	Bernburg	B	a	4.5
39	zw. Bernburg u. Alsleben	A	b	4.5
40	Bischofsgrün	B	b	5
41	Bischofswerda	B	c	3
42	Blankenhain	A	b	4
43	Blatná	B	c	3
44	Bohosudov	A	c	4

Nr.	Locality	Source category	Quality category of information	Evaluated intensity
45	Bolesawiec	B	c	4
46	Bor	B	b	5
47	Brandýs n.L.	C	d	4
48	Broumov	A	b	0.5
49	Büdingen	B	b	4.5
50	Bürgel	B	b	6
51	Buhla	B	a	4
52	Burghaslach	B	b	3.5
53	Burgpreppach	C	d	5 (?)
54	Buttelstedt	A	a	5
55	Buttstädt	A	a	5
56	Česká Kamenice	B	c	3.5
57	Cham	C	c	3 (?)
58	Cheb	A	a	5
59	Chemnitz	A	a	5 (+)
60	Chemnitz-Siegmars	A	a	5
61	Chomutov	A	a	5
62	Chřibská	C	c	3 (?)
63	Coburg	A	a	5
64	Coswig (Krs. Roßlau)	B	c	5.5(?)
65	Crimmitschau	B	c	6.5
66	Darmstadt	B	b	3.5(?)
67	Děčín	B	c	3 (?)
68	Delitzsch	B	b	5
69	Dessau	B	b	4.5
70	Dinkelsbühl	B	c	4.5(?)
71	Domažlice	C	d	4
72	Donndorf	B	b	5
73	Dornburg	B	b	6
74	Dorndorf (Krs. Jena)	A	a	5.5
75	Dothen	A	a	5
76	Dreba	B	c	4.5
77	Dresden	A	a	4.5
78	Dubice	B	c	3
79	Duderstadt	A	b	4
80	Ebersbach (Krs. Görlitz)	C	c	3 (?)
81	Ebersdorf (Krs. Lobenstein)	A	a	5
82	Ebrach	A	a	4.5
83	Egeln	A	b	3.5
84	Eibenstock	B	b	4
85	Eilenburg	A	a	0.5
86	Einbeck	B	c	4.5(?)
87	Eisenach	A	a	4.5
88	Eisenberg	B	b	6
89	Eisfeld	B	c	3 (?)
90	Eisleben	B	c	
91	Eismannsdorf	A	a	5
92	Elsterberg	B	c	6.5
93	Erfurt	A	b	4.5(+)
94	Erlangen	B	c	3
95	Ermsleben	B	b	4.5
96	Eschenbach	B	b	3.5
97	Eschwege	B	c	4.5
98	Falkenstein	A	a	5.5
98a	Falknov	B	c	0.5(?)
99	Floss	B	b	5
100	Forchheim	B	c	4
101	Forstwolfersdorf	B	a	5.5(-)
102	Frankenberg	B	b	4.5
103	Frankfurt a.M.	B	c	3.5(+)
104	Frankleben	A	b	4.5
105	Františkovy Lázně	B	b	4.5
106	Frauenprießnitz	B	b	6
107	Freiberg	A	a	5
108	Friedewald	B	c	3 (?)
109	Friedrichroda	A	a	4.5(+)
110	Frießnitz	B	a	5.5
111	Frohburg	B	c	5
112	Fürth	B	b	4
113	Fulda	B	c	3 (?)
114	Gangloffsömmern	B	c	4
115	Gangloffsömmern, OT Schilfa	B	b	4.5
116	Gefell	B	b	4.5
117	Geithain (Krs. Geithain)	B	b	4.5
118	Gera	A	a	6.5
119	Gera-Ernsee	A	a	7 (-)
120	Gera-Langenberg	A	a	6 (+)
121	Gerbstedt	A	b	5 (+)
122	Geroldsgrün	B	d	4 (+)

Nr.	Locality	Source category	Quality category of information	Evaluated intensity	Nr.	Locality	Source category	Quality category of information	Evaluated intensity
123	Gerterode	B	c	5	202	Limbach-Oberfrohna	A	b	5
124	Geyer	B	c	5.5	203	Linden	B	c	4
125	Gießen	A	a	4	204	Lindenau	B	b	4
126	Glauchau	A	a	6.5	205	Litoměřice	B	c	5
127	Glogów	B	c	3	206	Loburg	A	a	5
128	Göhren-Döhlen	B	d	?	207	Löbau	B	c	3 (?)
129	Görlitz	B	a	5	208	Löbejün	A	b	4
130	Gößnitz	A	a	7	209	Löbichau (Krs. Schmölln)	A	b	6.5
131	Göttingen	A	a	4	210	Löbichau, OT Beerwalde	A	c	6 (?)
132	Gossel	B	b	4	211	Lohberg	C	d	4
133	Gotha	A	a	5	212	Lovosice	B	c	4
134	Gräfenroda (Krs. Arnstadt)	B	b	4	213	Lozice	C	d	4
135	Graitschen	B	b	5.5	214	Lubaň	B	b	5 (?)
136	Grebenstein	B	c	4	215	Lübbenau	B	a	4
137	Greiz	A	a	6.5	216	Lückendorf	B	c	3 (?)
138	Greußen	A	a	4.5	217	Lugau	B	b	5
139	Grimma	B	b	5 (+)	218	Lwówek Śląski	B	a	4
140	Grone	A	a	4.5	219	Magdeburg	A	a	3.5(+)
141	Großkochberg	B	b	6	220	Marburg	A	a	4
142	Großmonra, OT Burgwenden	B	c	3 (?)	221	Mariánské Lázně	B	c	4.5(?)
143	Großobringen	A	b	5	222	Markleuthen	B	a	5.5
144	Grünwalde	A	a	4	223	Meerane	B	b	6
145	Grüningen	A	a	5.5	224	Mehltheuer	B	c	6 (?)
146	Güsten	B	c	3	225	Meiningen	A	a	4.5
147	Hainspitz	B	c	5 (?)	226	Meißen	A	a	6
148	Halle/S.	A	a	4.5	227	Melaune	B	c	3.5
149	Hanau	B	c	3 (?)	228	Mennsdorf	B	c	7
150	Hannover-Linden	B	b	3	229	Merxleben	B	b	4
151	Hechingen	B	b	3	230	Meyendorf	B	b	3.5
152	Heidelberg	A	c	3 (?)	231	Mladá Boleslav	C	d	4 (?)
153	Heldburg	B	a	3.5	232	Mühlberg	A	a	6
154	Heldrungen	B	c	5	233	Mühlhausen	A	a	5 (-)
155	Herzberg	B	c	3	234	Müncheberg	B	b	4.5
156	Hildburghausen	B	b	4.5	235	München	A	a	3
157	Höchstadt a. A.	B	b	4	236	Münchenbernsdorf	B	b	5.5
158	Hof	A	a	5	237	Narsdorf	B	b	6
159	Hofheim	B	c	3	238	Naumburg	A	a	5.5
160	Hohenstein-Ernstthal	B	c	5.5	239	Naundorf (Krs. Jessen)	B	c	5 (?)
161	Hořický	C	d	4	240	Nebra	A	b	5
162	Hostouň	B	c	5	241	Německé Jablonné	B	c	4.5
163	Hünfeld	B	c	3 (?)	242	Nessa	A	a	5 (+)
164	Hundhaupten	B	a	6	243	Neudietendorf	B	b	5
165	Ilmenau	A	a	5	244	Neunhofen	A	a	5
166	Jáchymov	B	c	3.5	245	Neusalza-Spremberg	C	c	3 (?)
167	Jena	A	a	5	246	Neustadt (Hessen)	B	b	4
168	Jena-Lobeda	B	a	5	247	Neustadt a.d. Aisch	A	b	4.5
169	Jesenice u Podbořan	B	c	5 (?)	248	Neustadt/Orla	B	a	5
170	Kamienna Góra	B	b	4	249	Neustadt a.d. Waldnab	B	b	5
171	Karlovy Vary	B	b	4.5(+)	250	Nidda	B	c	4
172	Kassel	A	a	3.5	251	Niederroßla	A	a	5
173	Kdyně	B	b	3	252	Niedertrebra	A	b	4
174	Kehmstedt	B	c	4	253	Niederwinkel	B	c	6.5
175	Kladno	C	d	4	254	Niemberg	B	a	5
176	Knau	B	c	4.5	255	Nöbdenitz	A	b	7 (-)
177	Kölleda	A	a	4.5	256	Nordhausen	B	a	5.5
178	Königstein	A	a	4.5(+)	257	Nürnberg	B	a	5.5
179	Könitz	B	c	6 (?)	258	Oberellendorf	A	b	4.5
180	Köthen	A	a	4.5	259	Oberhof	B	b	3.5
181	Kolmberg	B	c	0.5	260	Oberröblingen	A	c	4.5
182	Kraftsdorf	A	a	7 (-)	261	Oberröblau	B	c	5.5
183	Kralupy	C	d	4	262	Oberroßla	A	a	5.5
184	Krásná Lípa	B	c	4 (?)	263	Oberviechtach	B	b	5
185	Kronach	B	c	5	264	Ohrdruf	B	b	4.5
186	Krosigk	A	a	4.5	265	Oldisleben	B	b	3.5
187	Kulmbach	B	b	6	266	Olszyna	B	c	4.5
188	Kutzleben	B	c	4 (?)	267	Osterfeld	B	c	5
189	Kyjov	B	c	4.5(?)	268	Osterode	B	b	3
190	Langenzenn	B	c	4.5(?)	269	Ostramondra	B	c	4.5
191	Lausnitz	B	b	5	270	Ostrov	B	c	5 (+)
192	Leipzig	A	a	5	271	Oybin	C	b	5
193	Leipzig-Reudnitz	B	b	5	272	Pappenheim (Bayern)	B	b	4
194	Leipzig-Schönefeld	B	b	5.5	273	Passau	B	b	3
195	Leisnig	B	c	4	274	Penig	B	c	5.5
196	Leutershausen	B	b	5 (+)	275	Pfiffelbach	A	a	4.5
197	Liberec	C	d	4 (?)	276	Pfuhlsborn	A	a	5
198	Libočany	B	b	4.5	277	Pillingsdorf	B	c	5.5
199	Lichtenau	A	b	5	278	Pirna	B	c	4
200	Lichtenstein	A	a	4.5	279	Pisarzowice	B	b	3
201	Limbach, Krs. Freital	A	b	4.5	280	Plauen/Vogtland	A	b	4

Nr.	Locality	Source category	Quality category of information	Evaluated intensity
281	Pižeň	C	d	4 (?)
282	Podmokly	B	a	4.5
283	Pöbneck	A	a	5.5
284	Pommelsbrunn	B	b	4.5
285	Posterstein	A	a	7.5
286	Praha	A	a	4.5
287	Prießnitz	B	b	4.5
288	Prunéřov	B	b	4
289	Puschwitz, OT Lauske	A	a	4.5
290	Quedlinburg	B	c	4.5(+)
291	Querfurt	A	b	4
292	Raguhn	A	b	4.5
293	Rakovník	C	d	4 (?)
294	Redwitz	B	c	5 (?)
295	Regensburg	C	c	3 (?)
296	Reichenbach (Krs. Freiberg)	A	a	4.5
297	Reichenbach/OL	B	a	4.5
298	Reichenbach/Vogtland	B	c	5 (?)
299	Reichstädt	B	b	3
300	Reiffenhausen	A	a	4 (+)
301	Reinhausen	A	a	4
302	Remda	B	b	5
303	Riedenburg	B	c	4.5(?)
304	Roda (Krs. Saalfeld)	B	c	4.5(?)
305	Rodach	B	c	4.5
306	Rohnstedt	B	c	4 (?)
307	Ronneburg	B	c	7
308	Ronneburg-Gessen	A	c	7
309	Roßla	B	a	4.5
310	Roßleben	A	b	4.5(+)
311	Rotenburg (Hessen)	B	c	3
312	Roth a.S.	B	a	4.5(+)
313	Rudolstadt	A	a	4.5(+)
314	Rügheim	B	c	3
315	Ruhla	B	c	4.5(?)
316	Rychnov	C	d	4 (?)
317	Saalfeld	A	a	5
318	Salzmünde	A	b	3.5
319	Sangerhausen	B	b	4.5
320	Schleiz	B	c	4
321	Schleusingen	A	c	3
322	Schlicht	B	b	3
323	Schlotheim	A	b	4.5
324	Schmölln	B	c	7 (-)
325	Schneeberg/Erzg.	A	b	4.5
326	Schönborn-Dreiwerden	A	b	4.5(?)
327	Schönebeck/Elbe	B	a	4
328	Schwäbisch-Hall	A	a	4
329	Schwansee	B	c	4.5
330	Schwarzburg	A	b	4
331	Schweinsberg	A	b	4.5
332	Schweinsaupten	B	c	3
333	Šluknov	B	b	4
334	Sömmerda	B	c	5
335	Sokolov	C	d	4 (?)
336	Sondershausen	A	a	4.5
337	Sonneberg	B	c	4 (?)
338	Sontra	B	b	3.5(+)
339	Spangenberg	B	b	3.5
340	Stadtamhof	B	b	4
341	Stadttilm	A	b	4.5
342	Stadtroda	B	b	5.5
343	Stará Role	B	b	5
344	Straubing	B	b	3
345	Straußfurt	B	b	5
346	Stuttgart	B	b	3.5
347	Suhl	A	b	4.5
348	Tannroda	B	c	4 (?)
349	Taubenheim	C	c	3 (?)
350	Tautenburg	A	a	5.5
351	Tegkwitz	A	c	7
352	Teichwitz	A	a	7
353	Teichwolframsdorf	A	b	6.5
354	Teplice	B	b	4
355	Teutschenthal	B	b	4.5
356	Thalbürgel	B	a	6
357	Themar	B	c	4 (?)
358	Thránitz	A	c	7 (?)
359	Töppeln, OT Mühlisdorf	B	c	6 (?)

Nr.	Locality	Source category	Quality category of information	Evaluated intensity
360	Torgau	A	b	5 (-)
361	Třebívlice	C	d	4 (?)
362	Treysa	B	c	4.5(?)
363	Triestewitz	A	b	5
364	Triptis	B	c	4.5(?)
365	Trutnov	C	d	4 (?)
366	Tuchomýsl	A	a	4
367	Tübingen	A	a	3.5
368	Úpice	C	d	4 (?)
369	Ústí n.L.	B	b	3
370	Utenbach	A	a	4.5
371	Verneřice	B	b	4.5
372	Vilseck	A	b	3
373	Virnsberg	B	a	4
374	Vollmershain	B	c	7 (?)
375	Vordorf	A	a	5
376	Wahrenbrück	B	b	4
377	Waldenburg	A	b	6.5
378	Waldthurn	A	b	4.5
379	Walpernhain	B	b	4.5
380	Waltershausen	A	a	5 (+)
381	Waltershausen-Schnepfenthal	A	b	4.5(+)
382	Wassertrüdingen	B	b	4.5
383	Wasungen	B	c	3 (?)
384	Weida	B	b	6
385	Weimar	B	a	5.5
386	Weißenfels	A	b	4
387	Weißensee	B	a	5.5
388	Werdau	A	b	6
389	Westgreußen	B	c	4
390	Wetzdorf	A	a	4.5
391	Wiehe	B	a	5
392	Wiesbaden	B	c	3
393	Wittenberg	A	a	5
394	Witzenhausen	B	b	5 (+)
395	Wolfsgefährt	B	c	?
396	Wroclaw	A	a	2
397	Wünschendorf	B	a	6.5
398	Wünschendorf/OT Cronschwitz	B	b	6.5(?)
399	Würzburg	B	b	4.5
400	Wüstenbrand	A	c	5
401	Wunsiedel	C	c	4.5(?)
402	Wurzen	A	c	4.5
403	Zarów	A	a	4
404	Žatec	B	b	5
405	Zeitz	A	b	4.5
406	Zittau	A	b	4
407	Žlutice	B	b	4
408	Zörbig	B	c	5.5
409	Zwickau	B	b	5

Table 2. Frequency of the occurrence of source categories and of quality categories characteristic for single localities.

Source Categories			Quality Categories			
A	B	C	a	b	c	d
147	235	26	120	143	126	9

3.2. Intensity Evaluation and Macroseismic Determination of Focal parameters

The macroseismic intensities were evaluated with the MSK-scale in the version of 1981. Hereby, the good suitability of this scale has been proved for the analysis of historical earthquakes. Although it has to be said that, naturally, not a sufficient statistical sample of observations is available from several localities in order to get reliable intensity values. It cannot be ruled out

Fig. 9.
 Macroseismic map of the
 Central German earthquake
 from March 6, 1872, ac-
 cording to the revaluation
 presented in this paper.

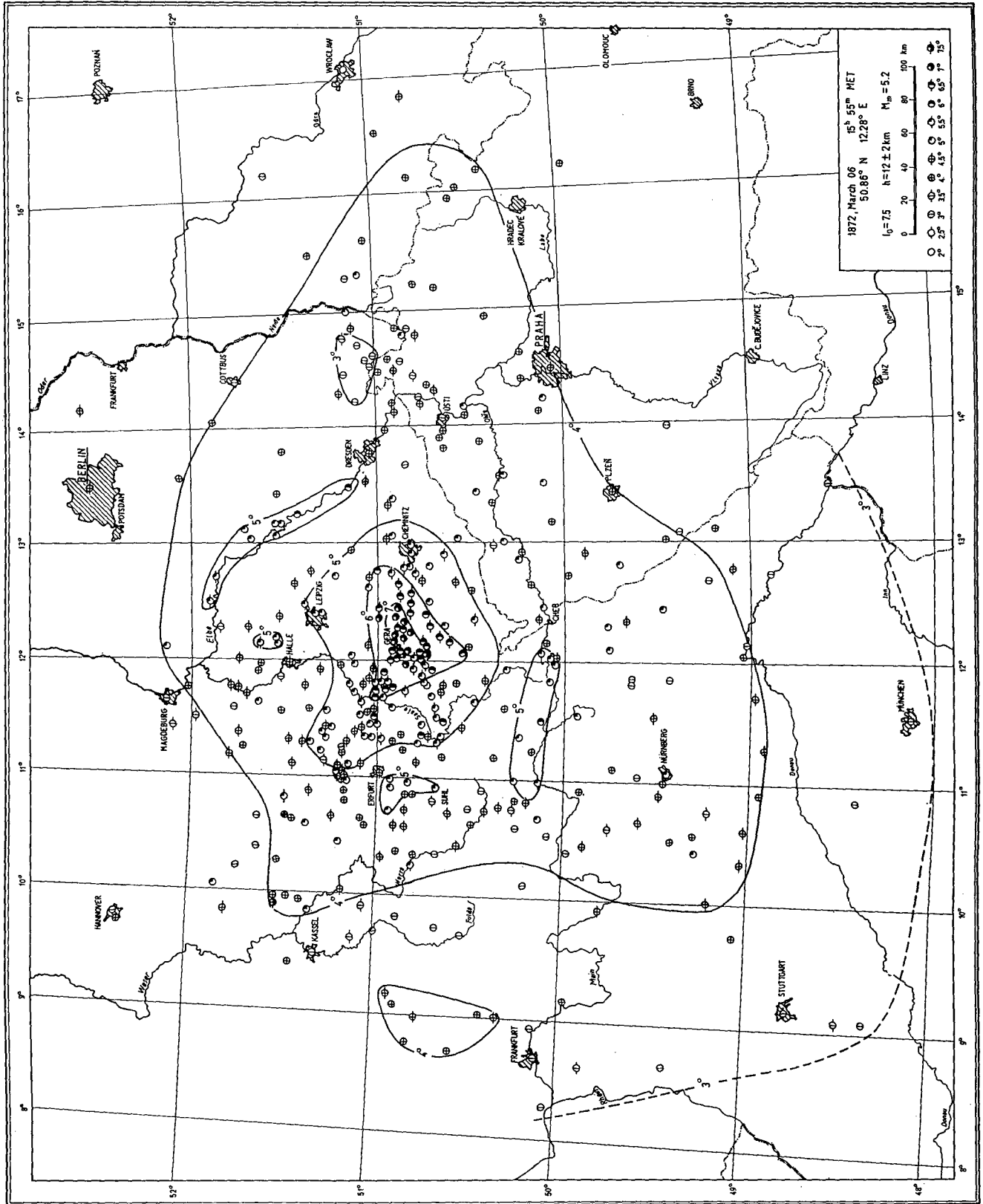


Table 3.
Frequency of evaluated intensities.

Intensity	7.5°	7°	6.5°	6°	5.5°	5°	4.5°	4°	3.5°	3°	2.5°	2°
Frequency	1	12	15	21	30	81	94	85	19	49	–	1

that where (in most cases) there is a single report per locality, that this is not a representative one but a relatively strong one. This is a general problem in macroseismics. Anyway, the consistency of the mapped presentation of the entirety of the evaluated observations speaks for the quality of the underlying data and it speaks against an imbalance and non-representativeness of the available basic information.

From today's view, it proves to be as a drawback that due attention was not paid to the systematic collection of building damage caused by the Central German earthquake, especially to rural buildings.

However, the observations made of effects on Nature, manifested e.g. as newly appearing wells and the falling dry of previously existing ones, were records of the highest care. From the 13 intensity values assessed as 7 degrees or 7.5 (half degrees are used here in the sense of uncertain intensity evaluations; i.e., actually they stand for e.g. an intensity of 7–8), there are based alone 6 of these ones solely on observations of effects on Nature.

Obviously, these observations fascinated the writers of these reports much more than the building damage, which probably also occurred. In two cases both are available descriptions of building damage and changes on Nature, while in 5 cases the intensity evaluation is based on building damage. The observations available for the village Posterstein, very near to the epicentre, were evaluated as an intensity of 7.5 which refers exclusively to the castle there, where in the so-called New Palace, built directly on hard rock, the 60–80 cm thick walls got fissures in practically all rooms which are reported as "penetrating with fresh rupture through plaster and stone". Ceiling plaster fell down in abundance. Today fissures in the walls can still be recognized. It is unlikely that they were caused by unequal setting processes (M. HOFFMANN, 1990, personal communication). Their causal connection with the Central German earthquake is highly probable. From the nearby rural part of the locality Posterstein, it was reported that the buildings on alluvial ground of a small valley did not suffer so strongly. This fact, that the shaking on hard rock was more severe than on alluvium, obviously speaks for the immediate proximity of this locality to the epicentre. It is known from engineering-seismological studies that the recorded accelerations are largest in small epicentral distances on hard rock and only in larger distances (for magnitude 6.5 earthquakes in distances greater than 30–40 km from the focus) the typical soil amplification on loose soil comes into effect (e.g. SEED et al., 1976).

Further damage was reported e.g. from the town Gößnitz where 2/3 of all chimneys were damaged and part of the houses showed fissures in walls going "through and through". In the town Schmölln more than 30 chimneys were reported to be demolished etc. Altogether in 49 localities the reported observations reached macroseismic intensities of 6 or larger. An overview of the frequency of each intensity degree is given in Table 3. The map of all intensity evaluations is

shown in Fig. 9. The shaken area in the north reaches up to Berlin, in the east nearly to Wroclaw (at that time Breslau), includes Munich and Stuttgart in the south and extends over Frankfurt/M. up to Wiesbaden in the west.

The epicentre (with 50.86°N, 12.28°E) was assumed to be the center of gravity of the area shaken with intensities 6 and 7. The error radius of this location could be assessed as being smaller than 10 km. The focal depth of 12±2 km with the appertaining epicentral intensity of 7.5 degrees has been derived from the mean isoseismal radii of the 4th to the 7th degree using the method by SPONHEUER (1960).

The "islands" of increased and decreased intensities in the macroseismic map are conspicuous. Of these, the area of increased intensities along the river Elbe is especially remarkable. Obviously, intensities of 5° and 6° occurred there. This special feature along the Elbe, probably caused by soil amplification effects, proves – with high reproducibility – to be a zone of increased shakeability for earthquakes from other focal areas also (GRÜNTAL, 1990). In a similar way, some of the other relatively increased intensities could be explained, e.g. the observations of the 5th degree along the river Ohře in Czechoslovakia. Whether the islands of increased intensity in Oberfranken can be attributed to soil amplification or they result from a basic uncertainty of the macroseismic method would require further studies.

Acknowledgements

The author wants to thank all those, mostly local chroniclers, town-archivists, and persons, who supplied information for the 1872-earthquake; especially the Ladies and Gentlemen: U. Bartenstein (Eisfeld), Bauß (Markersdorf), O. Blumenstein (Ruhla), K.-D. Böhme (Niederroßla), Brodale (Gera), J.-Ch. Burger (Mattstedt), Buchholz (Magdeburg), U. Eisinger (Wien), S. Fiedler (Grimma), E. Franke (Bernburg), W. Glaß (Königshofen), Hahn (Wünschendorf), Th. Halm (Neunhofen), J. Hoffmann (Pillingsdorf), M. Hoffmann (Gera), Huthmann (Ilmenau), Knabner (Hildburghausen), H. Kralisch (Hainspitz), H. Krönert (Göhren-Döhlen), Machlitt (Dessau), S. Möcker (Oppurg), H. Müller (Niedertreba), Pasold (Schleiz), R. Pelter (Knau), P. Piertzki (Frießnitz), A. Schleitz (Weida), J. Schmidt (Teichwitz), W.-H. Stier (Utenbach), F. Voigt (Lobenstein), Walther (Weida), A. Wittig (Gefell), Wolfram (Bürgel) and H.J. v. Zezschwitz (Oberroßla).

I wish to thank Mrs. G. Körber for her help in compiling and elaborating the data, Miss S. Möhlmann and Mr. G. Paschke for drawing of figures, and Mrs. S. Lückel for typing of large parts of the manuscript. Thanks are due to Mrs. Gutdeutsch and Mr. R. Musson for their assistance in improving the English. A warm thank also to Mr. R. Gutdeutsch for many fruitful discussions and for supporting this research.

References

- Acta spec. des Magistrats zu Gefell, betreffend Selbstmorde, Unglücksfälle von 1868–92. – Aktennummer 53/75, Stadtarchiv Gefell.
- Anonym: Abschrift mit Datum 14. 2. 1975 durch SPONHEUER von unbekannter Quelle (Makroseismik-Archiv Potsdam).

- Aus der Natur. – Die neuesten Entdeckungen auf dem Gebiete der Naturwissenschaften. Der Erdstoß vom 6. März. – Bd. **59** od. N.F. Bd. **47** (1872a) 6, 93–94.
- Aus der Natur. – Die neuesten Entdeckungen auf dem Gebiete der Naturwissenschaften. Das Erdbeben vom 6. März. Bd. **59** od. N.F. Bd. **47** (1872b) 10, 145–147.
- Bernburgische Zeitung. – 8. 3. 1872, 9. 3. 1872.
- Deutschland. – Tag- und Gemeindeblatt Weimar 7. 3. 1872.
- Dorfzeitung. – Generalanzeiger für Thüringen, Franken und das Voigtland, Nr. 92, Freitag, 8. März 1872. – Verl. u. Herausg. Kesselbrinksche Hofbuchhandlung Hildburghausen.
- Eisenberger Nachrichtenblatt. – Nr. 20, 8. 3. 1872.
- Eisfelder Zeitung. – 9. 3. 1872.
- Erfurter Zeitung. – Nr. 56, 7. 3. 1872; Nr. 57, 8. 3. 1872.
- Falkensteiner Anzeiger vom 7. 3. 1872. – Zitiert bei: BAUM, J.: Erdbeben im Vogtland. – Kulturspiegel für den Kreis Auerbach 11 (1962), 133–135.
- FRIEDRICH, O.: Erdbeben in der Lausitz und in den Sudeten. – Gedächtnisfeier des Städt. Gymnasiums Zittau, 3–9, Zittau 1901.
- FUCHS, C.W.C.: Statistik der Erdbeben von 1865–1885. – Sitzungsber. d. math.-naturwiss. Classe d. Kais. Akad. Wiss. Wien, **92/1** (1885), 1–5, 215–625.
- Gedenkbuch der Stadt Schönlinde in Böhmen, Abschrift durch W. HIEDE, Schönlinde, 28. 6. 1920.
- GEINITZ, H.: Über den Erdstoß vom 6. März 1872. – Sitzungsber. Naturwiss. Ges. Isis Dresden, **145** (1872) 1/3, 3–5.
- Geraer Zeitung. – Nr. 57, 8. 3. 1872; Nr. 58, 9. 3. 1872.
- GIEBEL, C.: Beobachtungen über das Erdbeben am 6. März in und um Halle. – Zeitschr. f. ges. Naturwiss, **39** (1872), 228–243.
- GISSBERGER, H.: Die Erdbeben Bayerns. II. Teil. – 69 pp., München (Verl. Richard Pflaum) 1924.
- Gothaische Zeitung. – 181. Jg., Nr. 57, 7. 3. 1872; Nr. 58, 8. 3. 1872.
- GREBE, L.: Beiträge zur Kenntniss der Erderschütterung vom 6. März 1872. – In: Zu der öffentlichen Prüfung der Schüler der städtischen Realschule erster Ordnung welche Mittwoch 25., Donnerstag 26. und Freitag 27. Sept. d. J. Vormittags von 8 Uhr ab, in der Aula der Realschule I. Ordnung gehalten werden wird, ladet ehrerbietigst und ergebenst ein der Director Dr. A. Preime. – 1–24, Cassel 1872.
- GRÜNTHAL, G.: Erdbebenkatalog des Territoriums der Deutschen Demokratischen Republik und angrenzender Gebiete von 823 bis 1984. – Veröff. Zentralinst. Physik d. Erde, Nr. **99**, 178 pp., Potsdam 1988.
- GRÜNTHAL, G.: Macroseismic investigations and conclusions with regard to seismic hazard assessment of the focal region. – Veröff. Zentralinst. f. Physik der Erde, Nr. **110**. – In: Monitoring and analysis of the earthquake swarm 1985/1986 in the region Vogtland/Western Bohemia, 51–83, 1990.
- GRÜNTHAL, G. & D. STROMEYER: The recent crustal stress field in Central Europe – trajectories and finite-element modeling. – Journ. Geoph. Res., in press (1991).
- GÜMBEL, C.W.: Das mitteldeutsche Erdbeben vom 6. März 1872. – Das Ausland – Überschau der neuesten Forschungen auf dem Gebiete der Natur-, Erd- und Völkerkunde, **46** (1873) 48, 941–945.
- GUTDEUTSCH, R., Ch. HAMMERL, I. MAYER & K. VOCELKA: Erdbeben als historisches Ereignis. Die Rekonstruktion des Bebens von 1590 in Niederösterreich. – Berlin – Heidelberg (Springer) 1987.
- GUTHE, H.: Das mitteldeutsche Erdbeben vom 6. März 1872. – Gaea. Natur und Leben. Zeitschrift zur Verbreitung naturwissenschaftlicher und geographischer Kenntnisse sowie der Fortschritte auf dem Gebiete der gesamten Naturwissenschaften, Herausg. V. HERMANN, F. KLEIN, Bd. **10**, Köln und Leipzig (Verl. Eduard Heinrich Mayer) 1874.
- HEINKE, C.: Über Erdbeben in der Lausitz. – Oberlausitzer Heimatzeitung 2 (1923) 17, 208.
- HOBBS, W.H. & J. RUSKA: Erdbeben. Eine Einführung in die Erdbebenkunde. – Leipzig 1910.
- HOPKINS, W.: Report on the geological theories of elevation and earthquakes. – Brit. Ass. Rep. 1847.
- Jenaische Zeitung. – 7. März 1872, 8. März 1872, 13. März 1872.
- KÁRNÍK, V., E. MICHAL & A. MOLNÁR: Erdbebenkatalog der Tschechoslowakei bis zum Jahre 1956. – Práce geofizikálního ústavu Československé Akademie Věd. Geofizikální sborník (1957), No. **69**, 411–598.
- Kirchenchronik Bergsulza. – Mitt. d. ev.-luth. Pfarramtes Großheringen.
- Kirchenchronik Dreba. – Mitt. d. ev.-luth. Pfarramtes Knau.
- Kirchenchronik Eckolstädt. – Mitt. d. ev.-luth. Pfarramtes Niedertrebra.
- Kirchenchronik Forstwolfersdorf. – Mitt. d. ev.-luth. Pfarramtes Niederpöllnitz-Forstwolfersdorf.
- Kirchenchronik Frießnitz. – Mitt. d. ev.-luth. Pfarramtes.
- Kirchenchronik Göhren-Döhlen. – Mitt. d. ev.-luth. Pfarramtes.
- Kirchenchronik Hainspitz. – Mitt. d. ev.-luth. Pfarramtes.
- Kirchenchronik Knau. – Mitt. d. ev.-luth. Pfarramtes.
- Kirchenchronik Kraftsdorf. – Mitt. d. ev.-luth. Pfarramtes.
- Kirchenchronik Neunhofen und Lausnitz. – Mitt. d. ev.-luth. Pfarramtes.
- Kirchenchronik Niedertrebra. – Mitt. d. ev.-luth. Pfarramtes.
- Kirchenchronik Pillingsdorf. – Mitt. d. ev.-luth. Pfarramtes.
- Kirchenchronik Tautenburg. – Mitt. d. ev.-luth. Pfarramtes.
- Kirchenchronik Thalbürgel. – Mitt. d. ev.-luth. Pfarramtes.
- Kirchenchronik Walpernhain. – Mitt. d. ev.-luth. Pfarramtes Königshofen.
- Kirchenchronik Wetzdorf. – Mitt. d. ev.-luth. Pfarramtes.
- Kirchenchronik Wünschendorf-Veitsberg. – Mitt. d. ev.-luth. Pfarramtes.
- KRAUSE: Zusammenstellung der in Gera über das mitteldeutsche Erdbeben vom 6. März gemachten Beobachtungen. – Jahresber. d. Gesellsch. v. Freunden der Naturwiss. in Gera 16/17 (1873/1874), 37–41.
- LASAULX, A.v.: Das Erdbeben von Herzogenrath am 22. Oktober 1873. Ein Beitrag zur exakten Geologie. – Bonn 1874.
- LLARENA, J.G. DE: Die neue Isoleistenkarte des mitteldeutschen Erdbebens vom 6. März 1872. – Zeitschr. f. Geophys., **5** (1925), 182–186.
- Magdeburger Zeitung. – 7. 3. 1872, 8. 3. 1872, 9. 3. 1872.
- MALLET, R.: Great Neapolitan Earthquake of 1857. The first principles of observational seismology. – 2 vols., London (Chapman and Hall) 1862.
- Mühlhäuser Anzeiger. – 7. 3. 1872, 8. 3. 1872, 9. 3. 1872.
- Neue Freie Presse. – Wien Nr. 2707, 7. März 1872.
- Neustädter Kreisbote. – 55 Jg., Nr. 20, 9. 3. 1872.
- Ortschronik Allerstedt. – nach Mitt. von J. Högel.
- Ortschronik Auma.
- Ortschronik Bürgel.
- Ortschronik Dornburg.
- Orts- (u. Pfarr-) Chronik Frauenprießnitz.
- Ortschronik Graitschen.
- Ortschronik Grimma (Notizen von H. REICHARDT) nach Mitt. von S. FIEDLER (11. 4. 1988).
- Ortschronik Kolba. – Mitt. d. ev.-luth. Pfarramtes Oppurg.
- Ortschronik Markersdorf. – Mitt. d. ev.-luth. Pfarramtes Markersdorf (zu Hundhaupten).
- Ortschronik Mattstedt.
- Ortschronik Niederroßla.
- Ortschronik Oberroßla.

Ortschronik Pfiffelbach. – Mitt. d. ev.-luth. Pfarramtes Niederroßla.
 Ortschronik Pfuhsborn. – Mitt. d. ev.-luth. Pfarramtes Utenbach.
 Ortschronik Ruhla (Autor für 1872: ZIEGLER).
 Ortschronik Teichwitz.
 Ortschronik Utenbach.
 Ortschronik Wormstedt. – Mitt. d. ev.-luth. Pfarramtes Utenbach.

Pößnecker Wochenblatt und Allgemeiner Anzeiger. – 45. Jg., Nr. 29, 9. 3. 1872.

REINDL, J.: Die Erdbeben Nordbayerns. – Abhandl. Naturhist. Gesellsch. Nürnberg, **15** (1905a) 3, 251–294.
 REINDL, J.: Ergänzungen und Nachträge zu v. Gümbels Erdbebenkatalog. – Sep.-Abdr. Sitz. ber. math.-phys. Kl. Kgl. Bayer. Akad. Wiss., **35** (1905b) 1, 58.
 ROTH, J.: Bemerkungen über das Erdbeben am 6. März 1872. – Ann. Phys. u. Chem., **145** (1872) 4, 630–636.
 RUDERT, K.: Erinnerungen eines plauischen Lehrers. – X. Vogtl. Anzeiger u. Tagebl. 114 (1902) 184, 9.
 Rudolstädter Wochenblatt. – Nr. 57, 7. 3. 1872.
 Ruhlaer Wochenblatt, Localzeitung für Ruhla und Umgegend. Amtliches Organ der Gemeindebehörden G. u. W.A. – Herausgegeben vom Gewerbeverein zu Ruhla. 5. Jg., Nr. 21, 9. März 1872.
 Ruhlaer Zeitung, 8. 3. 1872.

Saalfelder Kreisblatt, zugleich Gemeindeblatt für Saalfeld, Gräfenhain und Lehesten. – Nr. 37, 8. 3. 1872.
 Schleizer Wochenblatt. – 61. Jg., I. Quartal, Nr. 30, 9. 3. 1872, 117.

SEEBACH, K.v.: Das mitteldeutsche Erdbeben vom 6. März 1872 – Ein Beitrag zu der Lehre von den Erdbeben. – Verl. v. H. Haessel, Leipzig 1873.
 SEED, H.B., R. MURARKA, J. LYSMER & I.M. IDRIS: Relationships of Maximum Accelerations, Maximum Velocity, Distance from Source, and Local Site Conditions for Moderately Strong Earthquakes. – Bull. Seis. Soc. Am., **66/4** (1976), 1323–1342.
 ŠIBRAVA, V. & P. HAVLIČEK: Radiometric age of Pliocene – Pleistocene volcanic rocks of the Bohemian massif. – Vestn. Ústř. Úst. Geol., **55** (1980) 129–139.
 SPONHEUER, W.: Erdbebenkatalog Deutschlands und der angrenzenden Gebiete für die Jahre 1800 bis 1899. – Mitt. d. Deutsch. Erdb. dienstes Nr. 3, hrsg. v. Zentralinst. f. Erdb. forschung Jena, 195 pp., Berlin (Akademie-Verlag) 1952.
 SPONHEUER, W.: Methoden zur Herdtiefenbestimmung in der Makroseismik. – Freiburger Forsch.hefte C88, 1960, 117 pp.
 SPONHEUER, W. & G. GRÜNTAL: Das Mitteldeutsche Erdbeben vom 6. März 1872. – In: Geschichte der Seismologie, Seismik und Erdzeitenforschung, Vorträge der Tagung in Eisenach vom 5.–7. Dezember 1979. – Veröff. des Zentralinstituts für Physik der Erde, Nr. **64**, 1981, 178–189.
 Stadt- und Landbote. Ein Blatt für Tagesgeschichte, Gemeinnütziges und Unterhaltendes nebst Anzeiger für Weida, Berga, Münchenbernsdorf und Teichwolframsdorf. – XXIII. Jg., Nr. 29, 9. 3. 1872; Nr. 30, 12. 3. 1872; Nr. 49, 27. 4. 1872.

Weimarerische Zeitung. – 7. März 1872, 8. März 1872.
 WOHLFAHRT: Über das plötzliche Hervortreten eines starken Quelles bei dem Dorfe Tegkwitz im Herzogthum Altenburg am 6. März 1872. – Sitzungsber. d. Naturwiss. Ges. Isis Dresden (1872) 4/6, 72–73.

Annex

Compilation of Reports on the Central German Earthquake of March 6, 1872

ALLERSTEDT (Sachsen-Anhalt)

Ortschronik Allerstedt (Eintragung durch C. HÖGEL):

„Am Tage der Mitfasten, den 6. März 1872, Nachmittag gegen 4 Uhr, fand hier eine mehrere Sekunden währende und von einigen schnell auf einander folgenden unterirdischen dumpfen Donnerschlägen begleitete Erderschütterung statt, die derartig war, daß Schreiber dieses, welcher Privatunterricht erteilend in der unteren Stube auf dem Sofa saß, in schaukelnde Bewegung versetzt wurde und anfangs wähnte, es möge der neuerdings erbaute Schornstein oder andere vorigen Jahres im Innern des Schulhauses vorgenommene Baulichkeiten in ihren Grundfesten wankend geworden und im Einsturz begriffen sein. Meine Frau und ihre Nähschülerinnen in einer der oberen Stuben waren durch das wahrgenommene Ereignis ebenso bestürzt als ich. Sie hatten bemerkt, wie die geöffneten Türen und Fensterflügel zuschlugen, Stühle und Tische verrückt wurden. Mein Sohn Johannes hatte im Garten das unterirdische Rollen gehört und behauptete auch, er habe das Schulhaus wanken sehen. Das Stubenhündchen, welches sich auf dem Dachboden befand, kam schleunigst die Treppe herab, die Hühner im Garten flogen erschrocken auf und setzten sich ängstlich auf die Gartenmauer. In der Sakristei der Kirche war durch die Erschütterung eine Bleiche (? – Anmerkung vom Autor) eingestürzt.“

ALSLEBEN (Sachsen-Anhalt)

v. SEEBACH (1873):

„In Alsleben an der Saale hat das Rathaus ordentlich „gewackelt“, so telegraphirte der dortige Beamte. Ueber eine bestimmte Richtung, die der Stoss gehabt habe, hat weder irgend ein Anderer noch ich

selbst (Dr. Würzler, siehe bei Bernburg; Anmerkung v. Autor) hierorts etwas bemerkt. (Nat. Ztg. 10)“

ALTDORF (Bayern)

GREBE (1872):

„... das Petroleum in den Lampen wirft starke Wellen; zwei Schlüssel werden von den Häkchen eines Schlüsselgehanges abgeworfen.“

ALTENBURG (Thüringen)

Der Stadt- und Landbote Nr. 29 (9. 3. 1872):

„6. März 1872. Diesen Nachmittag kurz vor 4 Uhr wurde unsere Stadt durch einen großen Schreck heimgesucht. Ich saß in Versicherungsgeschäften am Pulte eines fremden Komptoires, plötzlich fühlte ich meinen linken Fuß gehoben, und dabei krachte das völlig massive Haus in allen Fugen. Wie ich mich von links nach rechts (von Süd nach Nord) gehoben fühlte, stürzte ich aus dem Komptoir und mir das übrige Personal nach, wir alle mit dem Gedanken, es breche das Gebäude über uns zusammen. Der Erdstoß, ein solcher war es, dauerte 3 bis 4 Sekunden und war so stark, daß er länger nicht währen durfte, sollte er nicht größeren Schaden anrichten. Wem es möglich war, im Augenblick das Freie zu erreichen, versuchte dies natürlich, alle Straßen waren infolgedessen plötzlich mit Menschen gefüllt. Es sind Essen eingestürzt und Ziegel von den Dächern gefallen, die Glocke des Rathhausturmes schlug einmal an. Ich selbst hatte Schaden durch Einsturz eines Stoßes feiner Cigarren ...“

v. SEEBACH (1873):

„7 Minuten vor 4 Uhr ein ganz deutlich bemerkbarer, mit einem rollenden, dumpfen Geräusch verbundenen Erdstoss, der mehrere Sekunden anhielt und die Gegenstände in den Zimmern, wie Gläser, Uhren etc., in ziemlich starke Bewegung brachte. Die anscheinende Richtung des Erdstosses, welcher uns als ein zweifach wiederholter erschien, war von Nord nach Süd. (Geraer Ztg.)

Besonders stark ist der Stoss auf dem Schlosse verspürt worden, das auf Porphyrt steht und in dessen Nähe die Soldaten beim Exercieren ihn sehr deutlich bemerkten. Mehrere Essen sind eingestürzt. (Prof. Geinitz)“

Aus der Natur 59, N.F. 47 (1872) 10, S. 145:

„... An verschiedenen Orten hat dieses Erdbeben auch einen Einfluß auf die Quellen ausgeübt; zum Theil sind auch neue Quellen entstanden. Letzteres hat auf einer Wiese bei Altenburg stattgefunden. Durch die neue Quelle wurde eine Thalwiese innerhalb 24 Stunden vollständig unter Wasser gesetzt, so daß sie einem Teiche glich. Nach Ableitung des Wassers ergab sich, daß am Fuße einer Anhöhe, des sogenannten Hopfenberges, ein Areal von 5 Metern im Quadrat sich blasenförmig gehoben hatte und eine beträchtliche Wassermasse ausströmte. Als man zur Entwässerung der Wiese Drainageröhren legte, stieß man auf drei starke Quellen, denen in 24 Stunden 20–30000 Kubikfuß Wasser entströmten.

Ein Nachlaß der Ergiebigkeit der bisher bekannten Quellen am Gehänge des Höhenrückens hat nach der Entstehung der neuen Quelle nicht stattgefunden, vielmehr erklärt ein Mühlenbesitzer nach letzterer eine merkliche Zunahme seines Aufschlagwassers. Es kann daher nicht angenommen werden, es habe sich ein Theil des vorher an anderen Punkten des Bergrückens zu Tage tretenden Quellwassers in Folge der Erschütterung neue Abzugswege gebahnt. Sonach ist es wahrscheinlich, daß die auf dem Plateau auffallenden Meteorwasser, soweit sie bisher in den wasserdurchlassenden Oberboden ihres Niederschlagsgebietes eingedrungen sind und als Grundwasser gegen die Thalmulde hin unterirdisch abfließen, in Folge des Erdstoßes die innerhalb der Thaleinsenkung auf ihnen lastende Lettendecke an der schwächsten Stelle durchbrochen haben und nun den bequemen Abzugsweg dauernd beibehalten ...“

AMBERG (Bayern)

v. SEEBACH (1873):

„Zwischen 4 und ½ 5 Uhr, wenig bedeutend und nur einige Sekunden dauernd. (Ambgr. Tagebl. 7)“

GREBE (1872):

„Zwischen 4 und ½ 5 Uhr. Dauer einige Sec. Unbedeutende Erdschütterung.“

ANDREASBERG (Niedersachsen)

v. SEEBACH (1873):

„¾ 4 soll das Erdbeben 7–8 Sec. dauernd empfunden worden sein. (Hann. Cour. 9)“

Dir. v. Groddeck:

„Dagegen ist in Clausthal weder in der Stadt noch in den Gruben das Erdbeben bemerkt worden.“

ANNABERG-BUCHHOLZ (Sachsen)

v. SEEBACH (1873):

Ortsteil Annaberg

„Die K. Telegraphenstation berichtet: Kurz vor dem Ereignis fiel das sehr ängstliche Gebahren eines grossen Hundes auf, der sich wie Hilfe suchend mit eingezogenem Schweife an seinen Herrn anschmiegte, so dass dieser darüber höchlich erstaunte und aufmerksam wurde, 3 Uhr 58 Minuten /Berliner Zeit/ nach zwei übereinstimmenden Beobachtungen Erdstoss. Herr Telegraphen-Secretär Priebisch fand im freien Felde die Erschütterung des Bodens derartig, als ob ein schwerer Frachtwagen mit grosser Schnelligkeit rollend vorüber fahre, was nicht der Fall war. Zugleich mit dieser rollenden Bewegung schien es, als ob ein heftiger Sturmwind durch die Wipfel der in der Nähe befindlichen grossen Bäume brauste, obwohl bei heiterem Wetter gänzliche Windstille herrschte. ... Herr Obertelegraphist Uhlenbrauck spürte die Erschütterung im Stationslocale ziemlich stark, so dass momentan an ein Reissen der angespannten Kup-

ferdrähte zwischen Hängewerk und den Apparattischen gedacht wurde. Auf dem Morsestreifen blieben die von Leipzig kommenden Schriftzeichen weg. Die Nadeln der Galvanoscope hatten heftigen Ausschlag und die Anker von drei Apparaten schlugen in rasch vibrierender Bewegung an. Ein starkes Rollen wie das eines rasch vorüber fahrenden schweren Wagens ward ebenfalls vernommen ... (Priebisch, K.G.-D.d.T.)“

Ortsteil Buchholz

„... 4 Uhr, von 30 Sekunden Dauer, mit einem Geräusch, als ob ein hochbelasteter Rollwagen vorbeiführe ...“

ANNABURG (Sachsen-Anhalt)

v. SEEBACH (1873):

„Um 4 ¼ Uhr Nachmittags nämlich fanden kurz auf einander zwei Erdschütterungen statt, von denen die erstere schwächer und kurz, die zweite aber kräftig und von der Dauer einer halben Minute war. Diese Erschütterungen wurden sowohl in dem Schlosse, als auch im Orte wahrgenommen. Die Gebäude erzitterten heftig, Stühle und Tische wurden gerückt, Geschirr in den Schränken stiess klirrend zusammen, Bilder an den Wänden bewegten sich, Menschen schwankten, selbst die Glocken auf einem Thurme summten. Die Leute liefen geängstigt aus den Wohnungen, beruhigten sich jedoch bald, als sie sahen, dass sich kein Unglücksfall ereignet hatte. Eigenthümlich ist es, dass die Personen, welche sich im Freien befanden, von der Erschütterung nichts wahrnahmen; nur einige Spaziergänger behaupten, um 4 ¼ Uhr ein starkes Brausen gehört zu haben ... (Spener. Ztg.)“

ANSBACH (Bayern)

v. SEEBACH (1873):

„3 Uhr 55 Minuten ziemlich heftige Erdstöße ... Die Stöße von Norden nach Süden mögen 2 Sekunden angedauert haben. Möbel in Zimmern kamen in Folge dessen in Bewegung. (Fränk. Ztg.) 6)“

APPELSTEDT (Thüringen)

Gothaische Ztg., 181. Jg., Nr. 58 (8. 3. 1872):

„... kurz vor 4 Uhr; Erregung des Geflügels, Bewegung von Gebäuden ...“

APOLDA (Thüringen)

v. SEEBACH (1873):

„Die K. Telegraphenstation berichtet: 3 Uhr 56 Minuten ein kurzes, wiederholtes Auf- und Niederschwanke, mit einem seitlichen Stosse endend; die meisten Beobachter haben ein donnerähnliches Geräusch wahrgenommen; Erschütterung des ganzen Hauses und namentlich ein Knistern und Krachen der Decke und Bedachung; eine NNO–SSW pendelnde Uhr blieb stehen, aufgestapelte Kisten werden in der Richtung OSO–WNW verschoben. (Eulenber., K.G.-D.d.T.) Durch Herrn Prof. E. Schmid veranlaßt, hatte Herr Director Dr. Compter die Güte, mir zwei ausführliche Mittheilungen zukommen zu lassen, welche die obigen Angaben bestätigen und erweitern: Das unterirdische, donnerartige Rollen ist von weitaus den meisten Beobachtern wahrgenommen worden ... Dass die obenerwähnte Wand Waarenkisten sich ... verschoben, war noch an den Staubgrenzen zu erkennen. Zwei Arbeiter taumelten ... von ihren Arbeitsbänken, so dass sie fast gefallen wären. Ein von der Decke hängender Vogelkäfig gerieth in Schwingungen ... Eine stehengebliebene Uhr pendelte ... Mehrere Risse sind entstanden, von denen Herr Dr. Compter jedoch betont, dass sie dem Balkenwerke folgen.

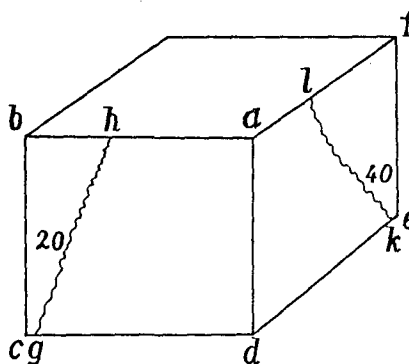


Fig. 1

*) Anm. d. Autors: K.G.-D.d.T. = Kaiserliche General-Direction der Telegraphen

Die Wand abcd steht von S.-N. 20° Abweichung nach NO; adef senkrecht auf jener; also

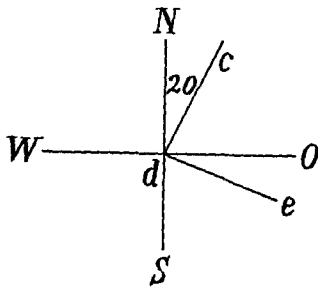


Fig. 2

Der Riß gh weicht etwa 20° von der Senkrechten ab, der Riß kl 40°; dg mißt 4,5 m dk 4m; die Höhe des Zimmers 2,5 m. Nun haben sich noch zwei kleinere, ebenfalls beim Erdbeben entstandene Risse gefunden, beide in Wänden, die von NNO-SSW. gerichtet sind ... auch 40°, aber entgegengesetzt, als gh ... mit m bezeichnet ...

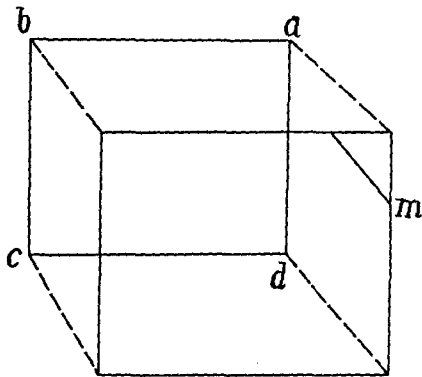


Fig. 3

Abschrift mit Datum 14. 2. 1975 durch SPONHEUER von unbekannter Quelle (Makroseismik-Archiv, Potsdam):

„Apolda, 6. März 1872. Ein Ereignis, wie solches seit Jahrhunderten nicht vorgekommen, erschreckte soeben die Bevölkerung unserer Stadt. Bei wolkenfreiem Himmel, heiterem Sonnenschein, vollständiger Windstille verspürten wir 3.50 Uhr Nachm. ein Erdbeben, so daß die Häuser wackelten und die oberen Stockwerke Risse bekamen. Die Erderschütterung war so heftig, daß in größeren Fabrikgebäuden die Arbeiter glaubten, es sei eine Kesselexplosion erfolgt und aus den Lokalen stürzten, wodurch nicht unbedeutende Verletzungen vorgekommen.“

Weimarerische Ztg. (7. 3. 1872):

„In Apolda ... nach telegraphischer Nachricht zu derselben Zeit ein bedeutender Erdstoß ... Öfen eingefallen.“

Erfurter Ztg. Nr. 57 (8. 3. 1872):

„ ... Apolda (Ofen eingefallen) ... “

Mühlhäuser Anzeiger Nr. 58 (9. 3. 1872), Geraer Ztg. Nr. 58 (9. 3. 1872):

„ ... starke Schäden in Gera und Apolda (Ofeneinstürze) ... “

Ruhlaer Wochenblatt Nr. 21 (9. 3. 1872):

„ ... in Apolda ... stürzten Schornsteine ein.“

ARNSTADT (Thüringen)

Ruhlaer Ztg. (8. 3. 1872):

„In ... Arnstadt liefen viele Bewohner voller Angst aus den bedrohlich wankenden Häusern auf die Straßen.“

v. SEEBACH (1873):

„ ... stark verspürt ... (Eisen. Ztg. 8)“

ARTERN (Sachsen-Anhalt)

v. SEEBACH (1873):

„Nachmittag 3 ¼ Uhr vernahmen wir hier in unserer Stadt einen wahrscheinlichen Erdstoß oder eine Erderschütterung vielleicht 2 Sekunden lang, wobei die Uhrglocke auf dem Thurme auch so lange ihr Zeichen zu geben nicht unterliess. Einige Minuten später sah man auf der Straße die Leute zusammenlaufen, einer frug den anderen, ob sie es wahrgenommen hätten, und so hörte man, dass Leute auf Stühlen und auf Sophas in der Stube gewankt haben, Ofen und Wände zitterten, Fenster sind sogar aufgegangen ... (Ztg.)

Ungefähr um 3 Uhr eine schwankende Bewegung, die von einem dumpfen rollenden Geräusch begleitet war und nicht sofort in ihrer Wesenheit erkannt wurde. Die Glocke im Kirchturm soll angeschlagen haben. (Grose, K.G.-D.d.T.)“

ARZBERG (Sachsen-Anhalt)

v. SEEBACH (1873):

„4 Uhr, Erderschütterung. Eine Täuschung darüber oder die Deutung auf etwaige Explosion künstlicher Sprengstoffe, wie auf das Auffliegen von Pulvermühlen u.s.w., erscheint als absolut ausgeschlossen, da nicht blos ein eigenthümliches, einem starken Schläge ähnliches einmaliges Geräusch, sondern auch eine ganz prononcirtre Bewegung des Erdbodens von Hunderten von Leuten wahrgenommen worden ist ... In dem Pfarrhause hier geriethen die Dielen der Zimmer in zitternde Bebung, während die Oefen wankten und in ihren Fugen knirschten; in einem anderen kamen die Töpfe, Teller, Schüsseln u.s.w. auf dem sogenannten Schüsselbrette in Bewegung und laute Collision. Im Freien sich aufhaltende Leute fühlten sich plötzlich emporgehoben, eine Bewegung, von welcher andere auf Stühlen und Sophas betroffen wurden ... “

ASCHAFFENBURG (Bayern)

v. SEEBACH (1873):

„Nachmittag um 4 Uhr ein sehr fühlbarer Erdstoß. Der Boden der Zimmer wurde erschüttert, die Tische wankten, so dass man glaubte, es käme eine Katastrophe ... Das Erdbeben wurde von Vielen bemerkt ... (Augsb. Postztg. 11)“

AUGSBURG (Bayern)

v. SEEBACH (1873):

„ ... auch hier verspürt nach dem Augsburg. Tageblatt; die übrigen Augsburger Zeitungen wissen nichts davon und scheinen die Nachricht eher zu bezweifeln (vergl. Augsburg. Abendztg. ...)“

AUMA (Thüringen)

Ortschronik Auma:

„1872, März 6.: Am heutigen Tage nachmittags 4 Uhr wurde hier ein ganz bedeutender Erdstoß wahrgenommen ... die Fenster klirrten, Meubels bewegten sich, ein Schornstein stürzte zusammen. Dabei war ein unterirdisches Getöse, als ob ein Bahnzug vorüberbrauste ... “

BAD BERKA (Thüringen)

v. SEEBACH (1873):

„Genau 3 Uhr 55 Minuten bis 3 Uhr 56 Minuten, Berliner Zeit, war eine Erschütterung ohne jedes unterirdisches Geräusch. (K.G.-D.d.T.)“

BAD BLANKENBURG (Thüringen)

v. SEEBACH (1873):

„ ... kurz vor 4 Uhr wurde hier eine ziemlich heftige, ungefähr 10 Sekunden andauernde Erderschütterung bemerkt. Die Bewegung war so stark, dass die Glocke auf dem Rathhausthurm zu läuten anfang, in den Häusern die Möbel schwankten und Arbeiter schnell von den Gerüsten sprangen in dem Glauben, dieselben stürzten ein ... (Thür. Volksfr.)“

BAD GANDERSHEIM (Niedersachsen)

GREBE (1872):

„Wilhelmsplatz, Plan, Moritzstrasse, Alte Gasse, Steinweg, Abfall von Kalk und Lehm von der Decke.“

BAD KISSINGEN (Bayern)

v. SEEBACH (1873):

„Nachmittag 4 Uhr, zwei, rasch aufeinanderfolgende, etwa 3 Sekunden dauernde schwache Erdstöße ... (Darmstädter Zeitung)“

BAD KÖSEN (Sachsen-Anhalt)

v. SEEBACH (1873):

„... die K. Telegraphenstation berichtet: Wenige Sekunden vor dem wahrnehmbaren Eintritt des Ereignisses geriethen die Pferde, die in verschiedene stillhaltende Wagen eingespannt waren, plötzlich und gleichzeitig in eine angstvolle Unruhe, welcher Zustand durch Aufbäumen und in den Versuchen sich äußerte, von ihrem Standorte fortzukommen.“

Es sind zwei überaus heftige Erderzitterungen in Zwischenräumen von der Dauer weniger Sekunden bemerkt worden, jedesmal von unterirdischem, starken Donnergeroll begleitet. Die Erschütterungen liessen sich als Wellenbewegungen erkennen in der Richtung von Südwesten nach Nordosten. Die Pendeluhr (Chronometer), welche an einer West-Oestlichen Wand angebracht ist, blieb stehen. Die ganze Erschütterung ist nach sofortiger und schriftlicher Notiz um 3 Uhr 47 Minuten (Berliner Zeit) bemerkt worden. (Müller und Günther, K.G.-D.d.T.)“

GIEBEL (1872):

„Heute Nachmittag 4 Uhr wurde die hiesige Bevölkerung durch die, hier gar nicht heimathsberechtigte Erscheinung eines gewaltigen Erdstosses in versteinerndes Erstaunen gesetzt. Einem secundenlangen Rollen, entfernten Donner ähnlich, folgten mehrere heftige Rucke, so dass jedem das beklemmende Gefühl sich bemächtigte, sein Haus mache eine perpendikelartige Bewegung. Alle beweglichen Gegenstände, selbst ganz massive Arnheims (? – Anmerkung des Autors) erzitterten wie Narzissenblätter im Morgenwinde und Tassen, Teller, Flaschen u.s.w. hüpfen wie unter der Wirkung einer Zauberformel von ihrem Standorte. Fenster, die in dem Momente, wo der Erdkrampf am heftigsten auftrat, geschlossen werden sollten, waren nicht in den Rahmen zu bringen, sondern standen vom unteren Schenkel weit ab. Wohl ein Zeichen, dass die Gebäude momentan vollständig aus der lothrechten Richtung gerathen waren. Freistehende Oefen machten eine Bewegung, die wie eine erzwungene Verbeugung sich ansah. Wir malen mit dieser Beschreibung keineswegs aus. Leute, die eben aus den Wäldern zurückkamen, berichteten in kalten Schweissschauern, dass plötzlich dort Alles gezittert habe, als wenn „Einer mit Wucht die Wagenrunge unterm Berge angesetzt habe.“ Einen auffallenden Eindruck äusserte die Erscheinung auf die Thiere. Einzelne Pferde bäumten sich, wie Schulpferde im Circus, hoch auf, während Hunde und Katzen sich winselnd an die Menschen anschmiegen ...“

BAD KÖSTRITZ (Thüringen)

v. SEEBACH (1873):

„Im Park beugten sich die Bäume vor dem Stosse wie vor dem Sturme. Ein Windstoss ist auch hier nicht beobachtet worden. Boden: Zechstein zum Theil mit wenig mächtigem Auelehm bedeckt. (Prof. Liebe)“

BAD LANGENSALZA (Thüringen)

v. SEEBACH (1873):

„... genau 3 ¼ Uhr eine nicht unerhebliche Erderschütterung, die mindestens 2 Sekunden dauerte und wahrscheinlich eine ostwestliche Richtung hatte. Möbel, Gasröhren etc. schwankten u.s.w. ... (M. Ztg. 8)“

BAD LIEBENSTEIN (Thüringen)

GREBE (1872):

„... ½ 4 Uhr. Mehrere Stöße, der erste heftig.“

BAD SALZUNGEN (Thüringen)

v. SEEBACH (1873):

„... 4 Uhr ein Erdstoss, in der Nähe des See's am heftigsten bemerkbar. In einigen Häusern ist er so stark gewesen, dass Kinder von dem Stosse umgeworfen wurden und sogar Erwachsene unwillkürlich von den Stühlen aufspringen mussten. Der See schlug in Fol-

ge dieses Ereignisses ungewöhnlich grosse Wellen ... Im oberen Stadtheile wurde jedoch nur wenig bemerkt. (Eisenacher Ztg. 8)“

BAD SCHANDAU (Sachsen)

Weimarische Zeitung (8. 3. 1872) und Magdeburger Zeitung (7. 3. 1872):

„Dresden, 6. März. Heute Nachmittag 3 Uhr 53 Minuten wurde hier eine ziemlich heftige, einige Sekunden andauernde Erderschütterung bemerkt, die auch in ... Schandau ... beobachtet wurde.“

BAD SULZA, Ortsteil Bergsulza (Thüringen)

Kirchenchronik:

„1872 am 6. März. Nachmittag wenige Minuten vor 4 Uhr wurde im ganzen hiesigen Orte ein starker Erdstoß gespürt. Es klang, als wenn ein mit Steinen schwer beladener Wagen dahinführe.“

Die Gläser klirrten, Ziegel stürzten hier und da von den Häusern.“

BALLENSTEDT (Sachsen-Anhalt)

v. SEEBACH (1873):

„Im zweiten Stockwerk des Bahnhofsgebäudes wurde der Herr Eisenbahn-Telegraphenvorsteher Fierbe, der sich in halbliegender Stellung befand, deutlich fühlbar in lebhaft schwankende Bewegung seitwärts nach Westen versetzt, die vor ihm stehenden Tassen klirrten und ebenso ein eiserner Etagenofen so laut wie die Töne eines Instruments. Ebenso wurde eine Dame in einem Nebenzimmer auf einem Stuhl hin und her bewegt. Die Erschütterung begann schwach, wurde stärker, dann schwächer und zuletzt stärker und am stärksten. Von einem Geräusch waren dieselben entschieden nicht begleitet. Eine Pendeluhr mit nordsüdlicher Schwingungsebene blieb nicht stehen; die Zeit wurde nur annähernd auf 4 Uhr bestimmt. (K.G.-D.d.T.)“

BAMBERG (Bayern)

v. SEEBACH (1873):

„4 Uhr ein ziemlich heftiger Erdstoss, dem in größter Raschheit ein paar minder heftige Bewegungen folgten. Man glaubte das Wellenförmige der ganzen Bewegung zu empfinden ... (Ambgr. Tagebl.)

Um 4 Uhr wurde in dem am linksseitigen Regnitzufer gelegenen Stadtheil ein heftiger 4–5 Sec. andauernder Erdstoss verspürt, der namentlich auf dem Jacobsberge, Stephansberge und Kalkberge stark fühlbar war. Das Rathhaus, der obere Pfarrthurm und mehrere grössere Gebäude des Jacobsberges erzitterten wirklich, während die innere Stadt, der Martinthurm und die Gärtner unberührt blieb. In der unterhalb der Stadt gelegenen mechanischen Baumwollenspinnerei und in dem dahin führenden Distrikt (Sand und Sandbad) wurde die Erschütterung sehr stark verspürt.“ (Nürnb. Corresp.)

Herr Prof. Th. Koch schreibt: Am 6. März 4 Uhr Nachmittag wurde hier ein nicht unbedeutender Erdstoss verspürt ... Die Erderschütterungen haben sich örtlich in ziemlich auffallender Weise fühlbar gemacht ... (Zeitschr. d. Oesterr. Ges. f. Meteorol. 1872 p. 138)“

BANZ (Bayern)

v. SEEBACH (1873):

„Die kolossalen Mauern schienen zu schwanken. Schränke, Uhren-gewichte und an den Wänden hängende Gegenstände bewegten sich lebhaft, Kalkverputz an den Wänden fiel ab und eine Zimmerglocke gerieth in lebhaft Bewegung, so dass sie zu läuten anfang. (Fränk. Ztg. 13)“

BARUTH (Brandenburg)

v. SEEBACH (1873):

„... alle Möbeln in den Häusern wurden in Bewegung versetzt. (Zeitungsausschnitt)“

BAUTZEN (Sachsen)

FRIEDRICH (1901):

„... In der Lausitz wurde das Erdbeben beobachtet in Bautzen ...“

BAYREUTH (Bayern)

v. SEEBACH (1873):

„... indem heute kurz vor 4 Uhr ein ziemlich 3 Secunden langer von Norden nach Süden sich bewegender Erdstoss verspürt wurde. Ich war an meinem Pulte stehend, den Kopf mit der linken Hand gestützt, mit Lesen beschäftigt, als mein Pult von rechts nach links sich zu bewegen schien, meine Kniee zitterten, und mein Kopf auf einmal stark eingenommen war. Die Tapeten knisterten, und die Wände schienen sich zu bewegen. Da ich mich nicht getäuscht zu haben meinte, fragte ich noch einen im Zimmer befindlichen Nebenbeamten, ob er nichts von einer Bewegung wahrgenommen habe; gleich wie ich hatte derselbe den nämlichen Stoss empfunden. (Oberfränk. Ztg. ... 3 Uhr 55 Minuten ... (Grebe)“

GREBE (1872):

„3 Uhr 55 Minuten in Dauer 3 Secunden ... 2 Erschütterungen. Im Gebäude des Bezirksgerichts erklangen die Zimmerschellen; Tapeten knisterten. Kalk fiel von den Wänden, ein Spiegel fiel ab, Blumentische und Vogelbauer geriethen in schaukelnde Bewegung ...“

BENEŠOV/ČSFR (ehemals Bensen; Kreis Děčín)

GREBE (1872):

„Bensen. 4 Uhr 15 Minuten; 1 Stoss. Möbel wankten sichtbar, Bewegung wellenförmig ...“

BERGA/ELSTER (Thüringen)

Der Stadt- u. Landbote Nr. 29 (9. 3. 1872):

„Nachm. 4 Uhr 1 Min. Soeben hatten wir hier einen Erdstoß, wie er hier noch nicht beobachtet worden ist. Unter einem ziemlich starken donnerähnlichen unterirdischen Getöse, welches sich von Ost nach Süd-West fortsetzte und gegen 8 Sekunden währte, wankten die Häuser so heftig, daß Mauern Risse bekamen, Essenköpfe zum Theil herabstürzten, zum Theil so zerrissen sind, daß sie abgenommen werden müssen. Dachziegel und Abputz der Häuser liegen in den Gassen. In den Häusern ist der Kalk von den Zimmerdecken gefallen, sind Öfen vollständig umgestürzt, andere von der Wand abgerückt worden. Tassen und Gläser fielen von Schränken und zerbrachen in Scherben, andere an den Wänden lähnende und auch frei stehende Geräthe fielen um. Wer im Freien war, fühlte sich im Augenblicke in die Höhe gehoben, Treibvieh sank zusammen und Pferde scheuten. Das Federvieh flog ängstlich herum, und es währte lange Zeit, ehe es in seine Wohnungen zurückging; der Flug der Bienen war mit einem Male gehemmt. Auch in den benachbarten Ortschaften soll ähnliches sich ereignet haben.“

BERLIN

GIEBEL (1872):

„Auch in Berlin ist zur selben Zeit und Stunde das Erdbeben und zwar in verschiedenen Stadttheilen bemerkt worden. In einem Hause der Dorotheenstrasse, nahe der Sommerstrasse, spürten die Bewohner eine heftige Erschütterung, so dass sie einen Einsturz des Hauses befürchteten und schleunigst auf die Strasse eilten. Drei Personen, welche in einer Stube des Hauses Zimmerstrasse Nr. 5 sich befanden, sahen die Stühle und den Tisch bewegen und ein Herr, welcher auf dem Stuhle sass, fühlte ein förmliches Schaukeln desselben. Die Bewohner des Hauses Grossbeerenstrasse Nr. 10 wurden in grossen Schrecken versetzt; sie bemerkten alle gleichzeitig eine starke Erschütterung, ein Schwanken der Tische und Stühle und ein eigenthümliches Knacken der Wände, doch waren keine Sprünge oder Risse in den Mauern zu entdecken. Ein grosser (? – Anmerkung des Autors) schwankte hin und her und das um den Kaffeetisch versammelte Personal des Kaufmanns Richter wurde auf den Stühlen geschaukelt, während die Tassen auf dem Tische klirrten. Eine in demselben Hause wohnende Musiklehrerin befand sich während dieser Zeit in der Alexandrinenstrasse und ertheilte Unterricht; auch sie bemerkte eine einige Secunden andauernde Erschütterung und der Stuhl, auf welchem sie sass, wankte. Nach Aussage eines Schutzmannes ist der Erdstoss in circa 30 Häusern in der Alexandrinenstrasse gleichzeitig verspürt worden.“

GREBE (1872):

„Von der Potsdamerstrasse, die Königgrätzerstrasse entlang nach dem Wasserthor zu, bis in die Alexandrinenstrasse ist die Erschütterung gespürt worden. In der Alexandrinenstrasse in circa 30 Häu-

sern, in der Zimmerstrasse Nr. 10, in der Grossbeerenstrasse Nr. 5. Die Erschütterung brachte Möbel ins Schwanken, Uhren zum Stehen.“

v. SEEBACH (1873):

„Nach 4 Uhr sind auf den Polizeibureaux zahlreiche Meldungen über Erschütterung der Häuser eingelaufen, wodurch die Bewohner in grossen Schrecken versetzt worden waren ... Von der Potsdamerstrasse, die Königgrätzerstrasse entlang nach dem Wasserthor zu, bis in die Alexandrinenstrasse ist die Erschütterung verspürt, welche die Möbel hat schwanken machen und die Uhren zum Stillstand gebracht hat. In mehreren Häusern sah man plötzlich die Spiegel an den Wänden in zitternde Bewegung gerathen; in anderen hörte man die Fenster klirren. (Berl. Ztgn)“

BERNBURG (Sachsen-Anhalt)

v. SEEBACH (1873):

„3 $\frac{3}{4}$ Uhr wurde an mehreren Punkten der Stadt ein starker Erdstoss verspürt. In der Stube des Thurmwächters war ein starkes Schwanken bemerkbar, in einigen Häusern vor dem Nienburger Thore sprangen Thüren auf und klirrten die Tassen auf den Tischen, beim stillstehenden Stadtgraben bildete sich eine Welle, die von Morgen nach Abend ging. Die ganze Bewegung dauerte etwa 4 Secunden. (Magdeb. Ztg. 9)“

Zwischen BERNBURG u. ALSLEBEN (Sachsen-Anhalt)

v. SEEBACH (1873):

„Herr Dr. Würzler schreibt: Ich habe zufällig in Gärten, zwischen Bernburg und Alsleben, zuerst ein stoßartiges Beben meines Sitzes verspürt, dann folgte ein Beben, wie man es beim Vorbeifahren sehr schwerer Lasten auf schlechtem Pflaster öfter bemerkt. Wahrgenommen ist dasselbe an allen Punkten der Magdeburg-Halberstädter Bahn. (Nat. Ztg. 10)“

BISCHOFSGRÜN (Bayern)

v. SEEBACH (1873):

„Die Erschütterung ist so stark, dass die Leute aus den Häusern ins Freie flüchten. (Pass. Ztg. 13)“

BISCHOFSWERDA (Sachsen)

FRIEDRICH (1901):

„In der Lausitz wurde das Erdbeben beobachtet in ... Bischofswerda ...“

BLANKENHAIN (Thüringen)

v. SEEBACH (1872):

„... 3 Uhr 50 Minuten eine ziemlich heftige Erderschütterung; die Erschütterung dauerte höchstens 1 $\frac{1}{2}$ Secunde, war aber so bedeutend, dass der Schlüssel, der frei an einem Kleiderhaken hing, lebhaft Schwingungen machte, und dass die Drähte der Klingelzüge klirrten. In einem Holzstalle stürzte ein Holzstoss zusammen. Die Art der Bewegung – ob hehend oder seitlich – konnte wegen der kurzen Dauer nicht genau bestimmt werden; jedoch nach der Empfindung, die ein am Schreibtisch Sitzender gehabt, scheint sie von Südwest nach Nordost gegangen zu sein. (Weim. Ztg. 8)“

BLATNÁ/ČSFR

GREBE (1872):

„Blatna. Namentlich im zweiten Stock des Rathhauses, dem höchsten Punkt der Stadt verspürt ...“

KARNÍK et al. (1957):

„Vom Gebiete Böhmens liegen die Meldungen aus folgenden Ortschaften vor: 4° – Blatná ...“

BOHOSUDOV/ČSFR

(ehemals Mariaschein; Kreis Teplice)

v. SEEBACH (1873):

„Mariaschein (bei Teplitz) Herr Dr. C. Braun schreibt am 7. März: Man hat hier gestern den 6. um 4 Uhr 1 $\frac{1}{2}$ Minuten Prager Zeit einen

ziemlich starken Erdstoss verspürt ... Man nahm auch ein unterirdisches dröhnendes Geräusch wahr. Ein Schade an Gebäuden etc. ist nicht vorgekommen ... (Zeitschr. d. Oesterr. Ges. f. Meteor., 1872, Bd VII, p. 138)"

KÁRNÍK et al. (1957):

„Vom Gebiete Böhmens liegen Meldungen aus folgenden Ortschaften vor: 4° – ... Bohosudov ...“

BOLESŁAWIEC/Polen (ehemals Bunzlau)

v. SEEBACH (1873):

„Bunzlau, wurde so stark wahrgenommen, dass man das Schüttelungscentrum in der benachbarten Lausitz sucht. (Schl. Ztg. 12)“

BORČSFR (ehemals Haid; Kreis Tachov)

GREBE (1872):

„Haid. 4 Uhr 10 Minuten; Dauer nicht ganz 1 Min. Mit kurzem donnerähnlichem dumpfem Rollen. Tische, Kästen und sonstige Einrichtungsgegenstände kamen in Bewegung. Theile des Plafonds fielen in einzelnen Häusern zu Boden, Dröhnen der Dachstühle.“

BRANDÝS n.L./ČSFR

KÁRNÍK et al. (1957):

„Vom Gebiete Böhmens liegen Meldungen aus folgenden Ortschaften vor: 4° – ... Brandýs n.L. ...“

BROUMOV/ČSFR (ehemals Promenhof; Kreis Tachov)

v. SEEBACH (1873):

„Promenhof (bei Kuttenplan). Herr J. Turba schreibt aus der meteorologischen Forststation: Am 6. Nachmittags 4 Uhr 2 Minuten wurde hier ein etwa 3 Sekunden anhaltendes Erdbeben wahrgenommen. Den Beginn machte ein dumpfer Donner oder ein Geräusch, dem Rollen eines entfernten Wagens vergleichbar, das an Intensität derart zunahm, dass ein starkes Schwanken des Bodens verspürt wurde, in den Gebäuden die Fensterscheiben heftig klirrten, Zimmer-einrichtungstücke umzustürzen drohten etc. (Zeitschr. d. Oesterr. Ges. f. Meteor., 1872, Bd. VII, p. 138)“

BÜDINGEN (Hessen)

v. SEEBACH (1873):

„... ungefähr um 3 Uhr 40 Minuten eine von Westen nach Osten in wellender Bewegung gehende, mehrere Sekunden andauernde Erderschütterung von solcher Stärke, dass selbst die grössten Möbel in den Zimmern in Bewegung geriethen ... (Darmst. Ztg. 7 oder 8)“

BÜRCEL (Thüringen)

Weimarer Zeitung (8. 3. 1872):

„6. März. Heute Nachmittag 4 Minuten vor 4 Uhr wurde hier ein Erdstoß verspürt, der von Süden nach Norden lief, nach welchem sich an verschiedenen Orten Risse an den Wänden vorfanden, Fenster und Gläser klirrten, die Türen machten das Geräusch, als wenn daran gerüttelt würde.“

v. SEEBACH (1873):

„Kurz vor 4 Uhr ziemlich heftiger Erdstoss ... In der Stadt war die Erschütterung so stark, dass einzelne Häuser Risse zeigten und alles aus den Häusern stürzte ... (Spen. Ztg.). Die Erschütterung war intensiver als in Jena. (Prof. Schmid)“

Ortschronik Bürgel (1872):

„3. Naturgeschichtliches: Am 6. März nachm. 4 Uhr ziemlich starkes Erdbeben.“

BUHLA (Thüringen)

v. SEEBACH (1873):

„... um 4 Uhr Nachmittags bemerkte man in vielen Häusern hiesigen Orts plötzlich ein Klirren der Fenster und Thüren; die Wände bewegten sich, der Boden hob und senkte sich, so dass dadurch und gewiss auch durch den mit dieser ausserordentlichen Erscheinung

verbundenen Schreck viele Leute ihre Beschäftigungen einstellen mussten. (Zeitungsausschnitt)“

BURGHASLACH (Bayern)

GREBE (1872):

„... gegen 4 Uhr ... 4 Erschütterungen mit Rauschen. Schaukelnde Bewegung.“

BURGPREPPACH (Bayern)

v. SEEBACH (1873):

„4 Uhr. 15 Minuten wurden dahier in der Umgebung mehrere wellenförmige Erdstöße verspürt, die von so grosser Stärke waren, dass Stühle und Tische in Schwanken geriethen, und eine an der Wand hängende Uhr zu klingen begann. Dieselben währten ungefähr 8 Sekunden und hatten die Richtung von West nach Osten. (Würzbrg. Ztg. 8)“

SPONHEUER (1952):

„Den Stärkegrad V erreichte das Beben in ... Burgpreppach ...“

BUTTELSTEDT (Thüringen)

Weimarer Ztg. (8. 3. 1872):

„Buttelstädt, 6. März. Heute Nachmittag, 10 Minuten vor 4 Uhr, ward hier, und wie man annimmt, auch in den Nachbarorten am Etersberg, ein etwa 10 Sekunden anhaltender Erdstoss in wellenförmiger Bewegung von Osten nach Westen verspürt. Die Häuser krachten in ihren Fugen, Tische und Stühle wankten hin und her, in den Küchen schlugen die Töpfe aneinander, kurz, es war ein schreckenvoller Moment! Alles war auf den Beinen und rannte auf die Straßen. Zum Glück erfolgte keine Wiederholung; aber man hatte wirklich das Gefühl, als ob der Decke der Einsturz drohe. Viele liefen auf die Böden, um nachzusehen, ob die Balken nicht zusammenbrächen.“

BUTTSTÄDT (Thüringen)

Weimarer Ztg. (8. 3. 1982):

„6. März. Heute Nachmittag, wenige Minuten vor 4 Uhr, wurde hier eine erdbebenähnliche Erschütterung bemerkt. Den Leuten auf dem Thurme wankte der Boden heftig unter den Füßen; einzelne Gegenstände fielen um, der Hammer schlug leise an die Glocke. Den Einwohnern der Superintendentur, die sich in der Beletage und im Mansard aufhielten, war es, als wenn ein centnerschweres Gewicht über die Decke hinlief. Sie verließen rasch die Zimmer, weil sie fürchteten, die Decke würde auf sie herabfallen. Die Fenster klirrten. In den unteren Räumen des Hauses wurde nichts verspürt. Aehnliche Empfindungen wurden in anderen Häusern wahrgenommen.“

Der Stadt- und Landbote (Nr. 29 v. 9. 3. 1872):

„In ... Buttstädt ... nach telegraphischen Nachrichten zu derselben Zeit ebenfalls ein bedeutender Erdstoß empfunden worden. In Buttstädt haben die Glocken zusammengeschlagen ...“

Erfurter Ztg. (Nr. 57 v. 8. 3. 1872):

„... Buttstädt (Glockenschläge) ...“

ČESKÁ KAMENICE/ČSFR (ehemals Böhmisches Kamnitz; Kreis Novy Bor)

GREBE (1872):

„Kamnitz (Böhmisches). 4 Uhr 14 Minuten. Von den Bewohnern oberer Stockwerke wahrgenommen. Gläser klirrten und der Ofen zitterte.“

KÁRNÍK et al. (1957):

„Vom Gebiete Böhmens liegen Meldungen aus folgenden Ortschaften vor: 4° – ... Česká Kamenice ...“

CHAM (Bayern)

REINDL (1905):

„1872. – Am 6. März um 4 Uhr nachmittags ... In Nordbayern wurden die Erdstöße verspürt in ... Cham ...“

CHEB/ČSFR (ehemals Eger)

v. SEEBACH (1873):

„Eger. An die Kaiserliche Central-Anstalt für Meteorologie telegraphirte Herr Prof. O. v. Steinhaussen: Heftiges Erdbeben, Wellenbewegung nach Süd, etwa 12 Sekunden andauernd, dabei zwei heftige verticale Stöße, von welchen der zweite der heftigere war; Getöse wie von einem sehr schweren mit Eisen beladenen Wagen; Zeit 3 Uhr 57 Min. (N.Fr.Pr.8). Zur Ergänzung berichtete derselbe später: „Meine Wohnung befindet sich in einem der höchstgelegenen Theile der Stadt (am oberen Ring) im zweiten Stockwerke der hiesigen Buchdruckerei; die Fenster sind genau gegen WSW gekehrt, so dass die Hauptmauer des ungemein soliden Hauses von SSO nach NNW verläuft.

Ich war eben mit Berechnung der meteorologischen Beobachtungen beschäftigt, als ich einen Stoss fühlte; diesem folgte ein starkes Schwanken des Fussbodens gegen das Innere des Zimmers und eine lebhaft bewegte Bewegung des gepolsterten Stuhles, auf dem ich sass. Ich hatte den Eindruck, als sei unter mir ein ungemein schwerer Gegenstand herabgefallen und ich dachte für den ersten Moment, es sei im Erdgeschoss die Kellerwölbung in Folge des Druckes der schweren genau unter mir stehenden Buchdruckerpresse eingestürzt und lauschte einen Augenblick, ob der Fussboden unter mir nicht nachstürzen würde. Gleich nach diesen lebhaften Schwankungen des Fussbodens begann an der Decke ein Geräusch, als würden mindestens 6 schwer auftretende Personen unmittelbar auf den Brettern, welche die Rohrung der Decke tragen, rasch dahin laufen und es regnete förmlich feinen Sand von der Decke herab, ohne dass jedoch Mörtelstücke herabgefallen wären. Nun stand ich vom Stuhle auf und trat in die Fensternische, um für den Fall des Einsturzes so weit möglich beim Einsturz des Gebäudes durch die Wölbung der Fensternische geschützt zu sein. Nun aber folgte ein noch heftigeres Schwanken des Bodens unter meinen Füßen, der zweite ungemein heftige Stoss, und hierauf ein Getöse, als würde über das Pflaster des Ringes ein sehr schwerer mit einer grossen Menge von Eisenbahnschienen beladener Wagen rasch dahin gefahren. Dieses Getöse und das Schwanken des Fussbodens hielt lange an, so dass die Angabe von 10–12 Sekunden für die ganze Dauer der Erscheinung nicht zu hoch gegriffen scheint. Nach Beendigung der Erscheinung sah ich zuerst auf meine Uhr, eilte nun im Hause Erkundigungen einzuziehen und ging dann zum Instrumentenmacher Kostler, meinem Mechanikus. Hier erfuhr ich, dass seine Werkbank, mit schweren Metallsachen beladen und angelehnt an eine von WSW nach ONO streifende Wand, lothrecht gegen die Wand geschwankt habe.

... In meiner Wohnung habe ich an der Wand auf 2 etwa 4 Fuss von einander abstehenden Consols (an je einem Haken hängend) die Gypsbüsten von Schiller und Goethe ... Nun fand ich Abends mich nach Merkzeichen für die Richtung umsehend – beide Gypsbüsten nach genau gleiche Winkel (etwa 10°) aus der Verticalen abgelenkt – beide Büsten mit dem Kopfe nach ONO geneigt, was auf eine Bewegung von W (WSW) – O (ONO) hindeuten würde.

Einzelne Gebäude im hochgelegenen Bahnhof (der kgl. bayrischen Ostbahn) zeigen schwache Risse, die früher nicht bemerkt wurden. (Oesterr. Zeitschr. f. Meteorol., 1872, Bd. VII, p. 137)“

GREBE (1872):

„Eger. 3 Uhr 56 Minuten. Dauer 12 Sekunden. Prof. v. Steinhausen. 2 starke Stöße. Vertical mit Wellenbewegung nach Süd. Rasselnde und schwingende Bewegung, als ob ein schwerer beladener Wagen im Trab durch den Hausflur führe, nur etwas länger.

Man war anfänglich der Ansicht, dass ein Haus eingestürzt sein müsse (die dahin lautende Angabe im Hofer Anzeiger ist also falsch). Der Kurier für Niederbayern meldete sogar den Einsturz zweier Häuser. Mächtige Erdschütterung besonders im oberen Theil der Stadt.“

CHEMNITZ (Sachsen)

v. SEEBACH (1873):

„Chemnitz. Herr Prof. Bruhns schreibt am Schlusse seiner unter Leipzig gelegenen Mittheilung: Aus Chemnitz ging mir vom dortigen Tageblatte folgende Depesche zu: 3 Uhr 58 Minuten wurden hier drei Erdstöße bemerkt.

Dagegen giebt das Leipz. Tagebl. aus dem Chemn. Tgbl. an: 3 Uhr 55 Minuten ... vernahm man plötzlich ein dumpfes Rollen und fast gleichzeitig empfand man einen an verschiedenen Orten mehr oder weniger starken Erdstoss. Die Dauer desselben kann auf einige Sekunden angegeben werden, während die Richtung der wellenförmigen Bewegung höchstwahrscheinlich in hiesiger Gegend von Süd-

west nach Nordost erfolgte ... Soweit uns Nachrichten aus hiesiger Stadt zugekommen sind, scheint festzustehen, dass die Erdbewegung fast in allen Strassen, am bemerkbarsten aber in den höheren Etagen der Häuser verspürt wurde. In einzelnen Fällen wurde ein starkes Schwanken der Wände und Möbel wahrgenommen, einige Uhren blieben stehen, die Vögel in den Käfigen wurden unruhig, ja in mehreren Häusern begab man sich sofort ins Freie, um die Ursachen des Stosses zu erforschen. Der Thürmer des Stadthurmes versichert, dass die Schwankungen in seiner Wohnung viel stärker gewesen seien, als die gelegentlich des starken Orkans, welcher am 7. December 1868 die hiesige Gegend heimsuchte ...

4 Uhr eine bedeutende Erdschütterung, die einige Sekunden anhielt. Die Schwankungen gingen von Ost nach West, Möbel etc. wurden bewegt, in der Börse erhielt eine Mauer einen Riss; die stärksten Wirkungen in der Langen- und Annaberger Strasse. (Chemn. Nachr)“

GREBE (1872):

„4 Uhr, 2 Stöße, der erste, welcher ungefähr 2 Sekunden anhielt, war heftig; der zweite glich einem kurzen gewaltigen Ruck. An verschiedenen Neubauten schwankten die Leitern; Stühle und Tische wurden an andern Orten gerüttelt. Gläser und Fenster klirrten.“

CHEMNITZ – SIEGMAR (Siegmar, eingemeindet in Chemnitz, Sachsen)

v. SEEBACH (1873):

„Siegmar. 4 Uhr vernahm man auf hiesigem Bahnhof und nächster Umgebung aufeinanderfolgendes, donnerähnliches Getöse, Erdstößen gleich; Fenster und Tassen klirrten, Blumenstöcke zitterten, wie vom Winde gepeitscht, und im Freien aufgeschichtete Kohlen stürzten zusammen. ... Unmittelbar hierauf erhob sich starker Wind. Eine andere Zuschrift aus demselben Orte besagt: Soeben (3 Uhr 53 Minuten Nachm) spürte man hier einen starken Erdstoss, der eine starke Schwankung des Fussbodens und alles Beweglichen verursachte. Der Anfang war ein dumpfes Rollen, worauf ein kurzer starker Stoss folgte, so dass alle Hauseinwohner erschrocken zusammenliefen. Das Ganze dauerte einige Sekunden. (Chemn. Tagebl.)“

CHOMUTOV/ČSFR (ehemals Komotau)

v. SEEBACH (1873):

„Komotau. Herr Hütteningenieur Wagner hatte die Güte mir die folgende ausführliche Mittheilung über das Erdbeben in Komotau zugehen zu lassen:

Am 6. Nachmittags 4 Uhr 15 Minuten wurde, wie aus den Zeitungen hinlänglich bekannt, das gesammte Erzgebirge nebst den in Sachsen und Böhmen angrenzenden Landstrichen von einem heftigen, mehrere Sekunden andauernden Erdstosse erschüttert. Von allen Seiten liegen Berichte und Beobachtungen vor, welche sich aber meist auf die einfache Facta, des Klirrens der Fenster, Thüren, Gefässe etc. beziehen, und das Gefühl, welches die Erschütterung im Beobachter hervorgerufen ...

So wurden in Komotau die Erschütterungen am heftigsten in den kleinen Gebäuden der nach dem Eisen- und Stahlwerke zu gelegenen Vorstadt verspürt, während in den höheren Gebäuden der Stadt nur in einigen wenigen die jedenfalls auch, aber in schwächerer Masse, aufgetretenen Erschütterungen wahrgenommen wurden; auch das allgemein mit dem Rasseln eines schwer geladenen Wagens über Pflaster verglichene Geräusch wurde fast nur in den Gebäuden wahrgenommen. Während der Verfasser z.B. 50 Fuss vom letzten Gebäude der Vorstadt, dem Bureau der Eisen- und Stahlwerks-Gesellschaft auf einen 9' hoch, frisch aufgeschütteten Boden stand, und nicht die geringste Erschütterung des Bodens, noch ein aussergewöhnliches Geräusch wahrnahm, sah er die ganze lange Vorstadtstrasse entlang, aus allen Häusern die Bewohner aufgeschreckt auf die Strasse eilen. Auf dem sehr tief fundamentirten Walzwerkschornsteine arbeiteten die Kaminbauer in einer Höhe von 140 Fuss und schauten erstaunt auf das Wogen der beängstigsten Menge herab, indem sie gar Nichts gefühlt hatten, während in der Giesserei wiederum an den Krähnen hängende schwere Gegenstände in's Schwanken geriethen.

Im Erzgebirge selbst führen die Belegungen der Erzgruben der Eisen- und Stahlwerks-Gesellschaft aus, erschreckt durch das Geräusch, welches ihnen über der First zu entstehen schien, während sie von den Erschütterungen Nichts wahrnahmen.

Im chemisch technischen Laboratorium der Eisen- und Stahlwerks-Gesellschaft wurde folgende ganz interessante Beobachtung ge-

macht, welche durch die Figuren 1 und 2 im Grundriss und Aufriss verdeutlicht ist.

Auf dem einen grossen Manipulirtische standen dicht neben einander geschichtet 2 Pyramiden glatt gehobelter Holzklötzchen, von weichem Holze, welche als Unterlagen für Gläser, Lampen etc. beim Manipuliren gebraucht werden.

Die Zeichnungen zeigen in $\frac{1}{3}$ der natürlichen Größe Fig. 4 die Situation derselben.

Nach dem Stosse war die Lage der oberen Holzklötzchen so verändert, wie es Fig. 5 zeigt. (Komotau den 10. März 1872)“

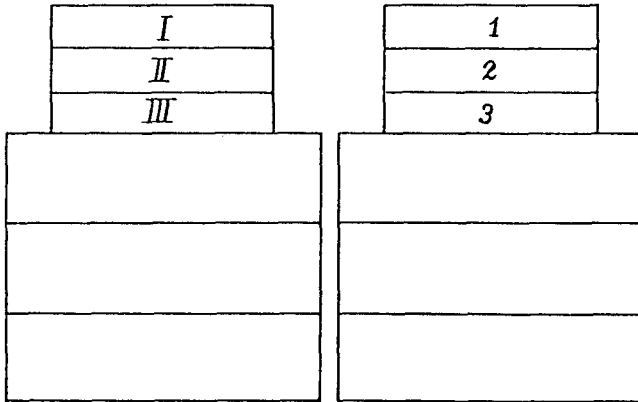


Fig. 4

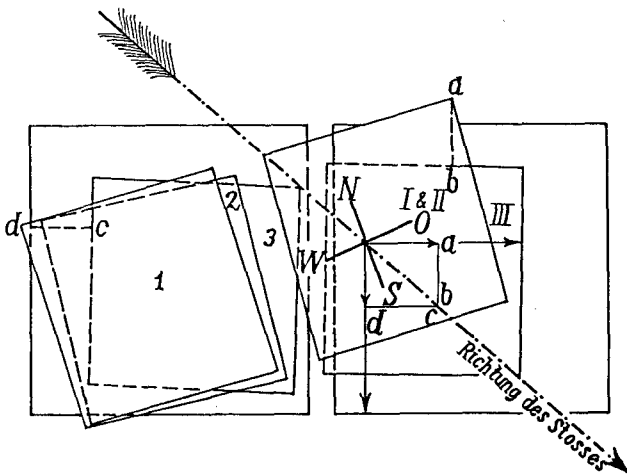


Fig. 5

KÄRNİK et al. (1951):

„Vom Gebiete Böhmens liegen Meldungen aus folgenden Ortschaften vor: 4° - ... Chomutov ...“

CHŘIBSKÁ/ČSFR (ehemals Kreibitz; Kreis Rumburk)

FRIEDRICH (1901):

„In der Lausitz wurde das Erdbeben beobachtet in ... Kreibitz u.a.O.“

COBURG (Bayern)

v. SEEBACH (1873):

„3 Uhr 55 Minuten. Der in der ersten Etage eines Hauses der Lossastrasse wohnende Einsender war gerade mit Lesen beschäftigt, als er plötzlich seinen Stuhl heftig erzittern fühlte, auch die Zimmerthür und die Fenster dröhnten, ähnlich wie wenn ein schwer beladener Eisenbahnzug in directer Nähe eines Hauses vorüberfährt. Er hatte noch nicht Zeit gehabt, sich von seinem Erstaunen zu erholen, als dasselbe in einen gelinden Schrecken übergehen sollte durch einen zweiten weit heftigeren Stoss, der auch einen schwer beladenen Bücherschrank in's Schwanken brachte, dessen unverschlossene Thüre auf- und zuklappte. Ueber die Ursache dieser Erschütterungen, die höchstens 15 Secunden angehalten haben mögen und die von West nach Ost zu gehen schienen, konnte er nicht länger in

Zweifel sein; sie waren auch im ganzen Hause mit gleicher Heftigkeit gefühlt worden und zwar war ihre Stärke so bedeutend, dass die Gläser und Geschirre in den Schränken klirrten und ein kleiner dreijähriger Knabe, der sich in einem Zimmer zufällig allein befunden hatte, durch die allgemeine Erschütterung und den entstandenen Lärm erschreckt, bitterlich zu weinen begann. – Mit dem zweiten Stosse hatte die Erschütterung ihr Ende erreicht. Ein unterirdisches Getöse hat Einsender nicht bemerkt; ... Sofort eingezogene Erkundigungen ergaben, dass die Erschütterung in der ganzen Lossastrasse und im Bahnhofs mit gleicher Stärke empfunden worden war; auch auf der Rosenau hatte sie sich ebenso heftig fühlbar gemacht und die Pflanzen auf den Regalen der Treibhäuser in lebhaftes Schwanken versetzt. (G) Von einem Bewohner der Veste Coburg geht uns folgende Mittheilung über das auch dort beobachtete Naturereigniss zu: „Als wir im Arbeitszimmer des Museumsgebäudes die Erdstösse verspürten, gerieth der Fussboden ins Schwanken, so dass wir vermeinten, das darunter befindliche Kellergewölbe stürze zusammen. Alle im Zimmer befindlichen Gegenstände fingen an, sich zu bewegen, und wir eilten erschreckt in den Hof hinunter. Die Stockuhren im ehemaligen Zeughause blieben sämmtlich im selben Momente stehen. (Cob. Ztg. 8)

Herr Geh. Rath Hofmann hatte die Güte mir zu schreiben, dass er selbst im Garten weder Geräusch noch Bewegung der Erde wahrgenommen habe, während man in seinem Hause ein donnerähnliches Geräusch gehört habe und die in der Spitze eines lyraförmigen Gasleuchters freihängende zum Auffangen des Russ bestimmte Glocke laut klingend gegen die genau ostwestlich orientirten Lyraarme angeschlagen habe. Die K. Telegraphenstation berichtet, dass zwei kurz aufeinander folgende Erdstösse bemerkt wurden, von denen der erste schwächer, der zweite jedoch so stark war, dass das Schreiben während desselben unmöglich war; beide Stösse waren wellenförmig und ein unterirdisches Geräusch nicht beobachtet worden. Die nord-südlich pendelnde Uhr blieb erst um 4 Uhr 5 Minuten stehen, während die Erscheinung 3 Uhr 55 Minuten Berliner Zeit beobachtet wurde. (Meuschke, K.G.-D.d.T.)“

GREBE (1872):

„3 Uhr 56 Minuten, Dauer 2 Secunden; 2 Stöße, der zweite stärker. Hausglocken läuten. Kalk fällt von den Decken.“

COSWIG (Sachsen-Anhalt)

Bernburgische Zeitung (9. 3. 1872):

„Von Coswig wird berichtet, daß dort während und in Folge dieses Naturereignisses der Schuppen einer Ziegelei eingestürzt sei.“

CRIMMITSCHAU (Sachsen)

v. SEEBACH (1873):

„Crimmitschau: Ziegeln von den Dächern mehrerer Häuser werden herabgeworfen ... (Dresd. Journ.)“

DARMSTADT (Hessen)

v. SEEBACH (1873):

„Nach etwa 10 wöchentlicher vollständiger Ruhe erfolgte am 6. März Nachmittags 4 Uhr wieder ein wahrnehmbarer Stoss, eine ziemlich starke Schwingung in der alten Richtung von West nach Ost, welche die Häuser etwa 3 bis 4 Secunden lang zittern machte. (Darmstdt. Ztg. 7 oder 8).

Da es offenbar von Interesse war zu erfahren wie sich die viel erschütterte Gegend von Gross Gerau während dieses weiter verbreiteten Erdbebens verhalten hatte, wandte ich mich sofort an Prof. Kohlrausch in Darmstadt um Nachricht. Derselbe schrieb mir darauf unter dem 25. März, dass alle seine Nachforschungen nur ein negatives Resultat geliefert hätten und übersandte als einzige Nachricht einen Ausschnitt aus der Darmstädter Zeitung, aus dem nur die oben abgedruckte Notiz hierher gehört. Der Eingang der ganzen Mittheilung flösst nur wenig Vertrauen ein.“

DĚČÍN/ČSFR (ehemals Tetschen)

Aus der Natur 59 (1872):

„Wahrgenommen wurde die Erdschütterung ferner in ... Tetschen ...“

DELITZSCH (Sachsen-Anhalt)

GIEBEL (1872):

„Heute Nachmittag 4 Uhr wurden wir durch einen heftigen Erdstoß heimgesucht und zwar in der Richtung von Abend nach Morgen. Derselbe dauerte vier Sekunden und war von einem starken Getöse begleitet. In den Zimmern bewegten sich Oefen und grössere Meubles.“

DESSAU (Sachsen-Anhalt)

V. SEEBACH (1873):

„... wurde ca. 3 Uhr 45 Minuten nur eine von einem starken unterirdischen Geräusch begleitete Erschütterung wahrgenommen, welche sich als Wellenbewegung von Südosten nach Nordwesten bemerkbar machte. Möbel etc. wurden stark gerüttelt. (Michels, K.G.-D.d.T.)“

DINKELSBÜHL (Bayern)

GREBE (1872):

„Mehrere Thurmglocken schlugen an.“

DOMAŽLICE/ČSFR

KÁRNÍK u.a. (1957):

„Vom Gebiete Böhmens liegen Meldungen aus folgenden Ortschaften vor: 4° - ... Domažlice ...“

DONNDORF (Sachsen-Anhalt)

GREBE (1872):

„Schüler flüchteten aus dem Schulzimmer auf den Hof.“

DORNBURG (Thüringen)

Chronik von Dornburg:

„1872, den 6. März wurde hier und in der Umgebung ein bedeutender Erdstoß wahrgenommen, was mit unterirdischem Rollen begleitet war. Die Fensterscheiben klirrten und Mauern und Schornsteine bekamen Risse.“

DORNDORF (Thüringen)

Kirchenchronik Eckolstädt:

„Am 6. März wurde ein Erdbeben hier und in ganz Mitteldeutschland verspürt. Ich selber war zu dieser Zeit – es war zwischen 3 und 4 Uhr des Nachmittages – unterwegs nach Dorndorf und hatte nichts davon gemerkt. Aber schon im „Blauen Schild“ in Dorndorf bildete das eben Geschehene die Unterhaltung der dort anwesenden Gäste. Namentlich berichtete ein Geometer an der Saalbahn, die Erde habe gezittert, und ein dumpfes Getöse habe man bemerkt. Im Hause des Schultheißen Kämmerer wollen die Frauen einen Lärm wie von einer Dreschmaschine vernommen und das Haus schwanken gesehen haben. Der Herr Kantor Kunze erzählt, daß bei ihm in der Schule die Tassen und Gläser im Glasschranke geklirrt hätten und daß er von seinem Sitz aufgesprungen sei, um den Glasschrank zu halten.“

DOTHEN (Thüringen)

Weimarische Zeitung (8. 3. 1872):

„6. März, Nachmittags 4 Uhr. Soeben ist eine wellenförmige Erschütterung von der Dauer einiger Sekunden von NW nach SO gehend verspürt worden. Die Häuser erdröhnten fühlbar.“

DREBA (Thüringen)

Kirchenchronik Dreba (1872):

„Am 6. März Nachmittags 3,52 Uhr wurde ein heftiger Erdstoß wahrgenommen ... ein seltenes Naturphänomen, das seiner Zeit viel Redens von sich machte. Auch hier erschütterten Wände und Fenster.“

DRESDEN (Sachsen)

GEINITZ (1872):

„Der nächste Gegenstand der Besprechung bildet der Erdstoß vom 6. März 1872. Für Dresden ist 4 Uhr Nachmittags als Zeit festzuhalten, wo die für unsere Gegend seltene Naturerscheinung ohne alle Vorboten eingetreten ist. Unmittelbar nachher hatte Herr Präsident (der Ac. Carol. Leopold. – Anmerkung des Autors) Dr. Behn darüber

Prof. Geinitz folgende Mittheilung gesandt: „So eben, wenige Sekunden, nachdem die Kreuzthurmuhren vier geschlagen hatte, spürte ich eine zweimalige Erschütterung des Hauses (Reitbahnstrasse 11), die ich, wenn ich noch in Manilla oder an der Westküste Südamerikas wäre, für ein Erdbeben erklären würde. Es waren zwei Stöße etwa ¼ Minute von einander, der erste schwächer, der zweite heftiger mit deutlich wahrnehmbaren von N. nach S. gehenden Heftigungen, die das Klirren beweglicher Gegenstände in den verschiedenen Zimmern und das Läuten der Klingel veranlassten ...“

GREBE (1872):

„Wenige Min. nach 4 Uhr, 3 Uhr 53 Min. ... Die Wirkung des Stosses ist hauptsächlich in den Etagen der Häuser, weniger in den Parterreräumlichkeiten bemerkbar gewesen. Im ersten Stock wackelten die von der Decke herabhängenden Gasröhrenarme, dass die Glasglocken klirrten. Der Chef einer Eisenhandlung versichert, dass nicht allein das schwere Eisen aneinander angeklungen, sondern sogar ein aufeinander gebauter Posten eiserner Pfannen zusammengefallen sei.“

V. SEEBACH (1873):

„Aus der großen Zahl der durch die Güte des Herrn Gallerie-Director Hübner und Prof Geinitz mir vorliegenden gedruckten und handschriftlichen Berichte wähle ich nur die wichtigsten und am meisten Vertrauen erweckenden aus: 4 Uhr 2 Minuten Erderschütterung aus W. nach O. mit bedeutender Detonation und pendelartiger Bewegung. Dauer 5–6 Sekunden. Die Erschütterung war so heftig, dass viel Gegenstände schwankten und sogar herabfielen. (Beobachtung des Expedienten des k. mathem. Salons, Herrn Hilliger, gemacht in seiner Wohnung) ...

Die meteorologische Station berichtet im Dresd. Journal: Nachmittags 4 Uhr zwei Erdstöße. Der letztere von SO. nach NW. gerichtete und gegen 4 Sekunden anhaltende verursacht lebhaftes Schwanken frei beweglicher Gegenstände. Der Dresdener Anzeiger giebt als Zeit nach einer stehen gebliebenen Pendule 4 Uhr 8 Minuten, während sonst 4 Uhr 5 Minuten angegeben werden; die Erschütterung sei eine pendelartige Bewegung zwischen West und Ost gewesen. Verschieden seien die Wahrnehmungen über die Zahl der Erschütterungen; meist stimmen dieselben darin überein, dass erst eine schwächere, dann eine stärkere, längere stattgefunden, deren letzte von einer stark vernehmlichen Detonation begleitet war, welche dem raschen Rollen eines grossen Wagens glich.

Übereinstimmend haben Viele bemerkt, dass sich Hunde hinter ihren Herren verkrochen haben oder mit hängendem Schweife ängstlich umhergingen. Auch von den Thieren im zoologischen Garten ist das Erdbeben bemerkt worden, namentlich von den im Winterhause befindlichen; der Elephant rannte ängstlich, fortwährend den dünnen Schwanz schwingend, in seinem Raume hin und her, die Kuhantilope versuchte wiederholt die hohe Barriere zu überspringen, welche sie vom Publikum trennt, und das Flattern und Kreischen der Papageien und Kakadus, das Schreien der Enten, Gänse, Reiher u.s.w., mit verursacht durch das Klirren der Fensterscheiben im Winterhause, war so entsetzlich, dass Alt und Jung angsterfüllt aus dem Hause flüchtete. Wie stark die Erschütterung gerade dieses Gebäudes gewesen, beweist der Umstand, dass in der Wohnung des Herrn Director Schöpf der in einem Vogelbauer gleichmässig vertheilte Sand auf einen Haufen vereint sich vorfand. (O. Th)

Auch über die Wahrnehmung des Erdbebens unter Tage liegen Berichte vor. Herr Dr. Drechsler schreibt: „Im Felde zwischen Plauen und Räcknitz, woselbst ein Brunnen gegraben wird, haben die Arbeiter 40 Ellen tief einen sehr heftigen Stoss erhalten. Herr Berginspector Köttig theilt dem Dresd. Journal mit: Während der Erdstoss in den Ortschaften des Plauen'schen Grundes von ausserordentlicher Wirkung gewesen, hat sich derselbe in den dasigen Steinkohlengruben fast durchgängig nur durch ein dumpfes Dröhnen im Obergebirge (den dem Steinkohlenflötze aufgelagerten Gebirgsmassen), ähnlich dem Geräusche, welches in den Gruben durch das Zubruchgehen ausgekohlter Räume oder das ferne Rollen von gefüllten Kohlenwagen auf den Streckeneisenbahnen bewirkt wird, kundgegeben. Am intensivsten ist diese Erscheinung im westlichen Flügel des Segen-Gottes-Schachtreviers der Freiherrl. v. Burgk'schen Steinkohlenwerke hervorgetreten, woselbst sich auch die Richtung des Getöses von Süd-West nach Nord-Ost (Hauptstreichrichtung des Flötzes) hat verfolgen lassen und im Windbergschachtreviere des Potschappler Actienvereins, wo die Häuer, in der Vermuthung, dass ein Bruch oder eine Explosion in der Grube stattgefunden habe, aus den Oertern den Hauptförderstrecken zugeeilt sind. Weniger auffällig ist gedachtes Phänomen in den auf den nordwestlichen und südöstlichen Flü-

gel des Kohlenbeckens gelegenen Steinkohlengruben des Staatsfiscus und des Hänichener Steinkohlenbauvereins gewesen, und nur in dem zuerst genannten Werke wollen diejenigen Arbeiter, welche zur Zeit des Erdstosses ihr Abendbrot verzehrend, ruhig dagesessen, ausser obigem Geräusche noch eine schwache Erschütterung, deren Ursache sie jedoch nicht in ihrer unmittelbaren Nähe gesucht, wahrgenommen haben ...

Die noch weiter angestellten Ermittlungen haben ergeben, dass allerdings auf dem westlichen Flügel unseres Segen-Gottes-Schachtes, aber nur auf diesem Punkte allein, die am 6. stattgefundenen Erderschütterungen deutlich wahrzunehmen gewesen sind. Es hat hierbei keineswegs (wie behauptet worden war, vergl. Dresd. Anz. 9) ein Schwanken in dem dortigen Wetterstrom oder irgend eine merkliche Einwirkung auf denselben stattgefunden, sondern es ist nur ein eigenthümliches Geräusch im Obergebirge in der Richtung von SW. nach NO. gehört worden, so etwa als wenn in unmittelbarer Nähe der Beobachter grössere Ortungen zu Bruche gingen. Eigenthümlich ist noch, dass bei diesem Rollen keine Intervallen, wie bei den Stössen über Tage zu bemerken gewesen sind. Burgk 8. März 1872. – Zobel, Obereinfahrer.“

FUCHS (1885):

„In Dresden läuteten in manchen Häusern die Schellen und mehrere Öfen stürzten zusammen.“

(In zeitgenössischen Berichten wurden keine Ofeneinstürze erwähnt – Anmerkung des Autors)

GIEBEL (1872):

„Dresden, wo die Leute aus allen Gassen zusammenliefen und sich fragten: „Haben Sie was gehört, es gab einen Knaks vorhin in der Erde, Herrjeses nee, was is denn das gewesen, die Bilder an der Wand haben Sie gewackelt.“ Solche Redensarten gingen hinüber und herüber. Vor einem Hause in der Wallstrasse, an welchem ein Kalksprung bemerkbar, standen Viele versammelt: „Ja, ja, das kommt vom Erdbeben!“ – So berichten die „Dresdener Nachrichten.“

DUBICE/ČSFR (ehemals Dubitz; Kreis Ústí n.L.)

Ztg. „Deutschland“ (7. 3. 1872)

„... in Dubitz um 4 Uhr 15 Minuten (4 Sek. dauernd) ... Der Erdstoß scheint hier schon sehr schwach gewesen zu sein ...“

DUDERSTADT (Niedersachsen)

GREBE (1872):

„ $\frac{3}{4}$ 4 Uhr, Dauer mehrere Sec. Hin- und Herschwanken von Hausgeräthschaften. Hauseinsturz befürchtet.“

V. SEEBACH (1873):

„Auf der K. Telegraphenstation in dem mächtigen Rathhausbau wurde gegen 4 Uhr Berliner Zeit der K. Telegraphenbeamte mit dem Gesicht nach Norden sitzend wiederholt vor und rückwärts geschaukelt. Ein unterirdisches Geräusch wurde nicht gehört. Die Erschütterungen waren allen Wahrnehmungen zu Folge Wellenbewegungen von Süden nach Norden; doch blieb die Pendeluhr, welche west-östlich schwingt, nicht stehen. (K.G.-D.d.T.)“

EBERSBACH (Sachsen)

FRIEDRICH (1901):

„In der Lausitz wurde das Erdbeben beobachtet in ... Ebersbach ...“

EBERSDORF (Thüringen)

Schleizer Wochenblatt (9. 3. 1872)

„Gestern Nachmittag kurz vor 4 Uhr haben wir hier das merkwürdige Naturereignis eines Erdstoßes erlebt. ... erfolgte plötzlich die Erdbewegung in einer so auffallenden und heftigen Weise, daß jedermann davon erschreckt wurde. Die Fenster klirrten, Teller u. Tassen klapperten gegeneinander, die Spiegel an den Wänden, Blumentöpfe u. andere Gegenstände bewegten sich, hie und da flog eine Thür auf u. die Erschütterung war von einer so eigenthümlich zitternden u. dröhnenden Bewegung begleitet, wie man sie in leicht gebauten Häusern bemerkt, wenn in den oberen Räumen schwere Lasten bewegt werden. Leute, die sich im Freien befanden, scheinen von dem ganzen Ereigniß wenig bemerkt zu haben. Nur von einem Gartenar-

beiter, der sich gerade auf einem Baum befand, hörten wir, daß der Baum zu seiner Verwunderung plötzlich sehr spürbar geschwankt habe. ... Die Dauer betrug 6-8 Sekunden.“

EBRACH (Bayern)

V. SEEBACH (1873):

„... einige Minuten vor 4 Uhr, verspürte der Schreiber dieser Zeilen in seiner Wohnung, einem sehr hohen Eckpavillon des Zuchthauses, zwei heftige, schnell auf einander folgende Erdstöße, die einige Sekunden anhielten. Die Fenster klirrten, die von den dicksten Quadersteinen gebauten Mauern schwankten, an zwei grossen Epheustöcken, die am geschlossenen Fenster im Zimmer standen, bewegten sich die Blätter, als ob sie starkem Winde ausgesetzt wären. Tische und Stühle bewegten sich gleichfalls. Meine Frau kam blass vor Schrecken in mein Studirzimmer und berichtete, dass es in dem gegen Süden gelegenen Wohnzimmer so stark gewesen sei, dass sie befürchtete, die Zimmerdecke falle herunter. Auch auf der Kanzlei des Zuchthauses, die ein Stockwerk tiefer liegt, als meine Wohnung, war der Stoss in der Weise fühlbar, dass sich der unmittelbar am Fenster befindliche Tisch bewegte. (Nürnbrg. Corresp.)“

EGELN (Sachsen-Anhalt)

V. SEEBACH (1873):

„Egeln, den 5. März. Gestern Nachmittag zwischen $\frac{1}{2}$ und $\frac{3}{4}$ 4 Uhr hat hier eine Erderschütterung stattgefunden, die von vielen Personen bemerkt worden ist. In Nachstehendem gebe ich Ihnen meine eigenen Beobachtungen über den Verlauf derselben. Zu der angegebenen Zeit sass ich in einer Ecke des Sophas, als ich in eine schwankende Bewegung gesetzt wurde, die anfänglich ziemlich stark, nach und nach schwächer wurde und in etwa 4-5 Sekunden vorüber war. Während der stärksten Bewegung hörte ich ein Geräusch, von der mir zunächst befindlichen Wand des Zimmers ausgehend, wie es bei'm Zerbrechen eines schwachen Stockes hervorgebracht wird. Die Schwingungen waren horizontal ... (Magdeb. Ztg. 8)“

EIBENSTOCK (Sachsen)

V. SEEBACH (1873):

„... zwischen 3 Uhr 50 Minuten und 4 Uhr eine ziemlich starke Erschütterung von rollendem Getöse begleitet. (K.G.-D.d.T.)“

EILENBURG (Sachsen-Anhalt)

V. SEEBACH (1873):

„In dem Erdgeschoss des Telegraphenstationsgebäudes wurden nur Erschütterungen ohne unterirdisches, donnerartiges Geräusch wahrgenommen, welche sich in der oberen Etage sehr stark fühlbar machten und von starken Erschütterungen der Wände, Klappen von Spiegeln und Fenstern, Aufspringen einer in einer NW-SO Wand gelegenen Stubenthüre und starkem polternden Geräusch, wie auf dem darüber befindlichen Bodenraum begleitet waren. Die Erschütterungen liessen sich im Erdgeschoß als drei wellenartige Bewegungen des Erdbodens von NO nach SW gehend erkennen. Die beiden vorhandenen Pendeluhren mit den Schwingungsebenen SW-NO. und NW-SO. blieben nicht stehen. 4 Uhr Berliner Zeit. (Kind, K.G.-D.d.T.)“

EINBECK (Niedersachsen)

GREBE (1872):

„ $3 \frac{1}{2}$ Uhr. Höher gelegene Strassen am Münster. Die Glocken des Münsterthurms klangen.“

EISENACH (Thüringen)

V. SEEBACH (1873):

„3 Uhr 50 Minuten eine heftigere und zwei geringere Erderschütterungen ... 3 bis 4 Sekunden andauernd. (Eisen. Ztg. 7)

10 Minuten vor 4 Uhr ... wurde in einem Gartenhause im Marienthal ein heftiger Erdstoss empfunden ... Der Tisch, an welchem Beobachter sass, wurde stark fühlbar gegen ihn geschoben, eine Glasthür ging auf, der Stuhl machte fühlbar eine Bewegung rückwärts. Es war ein Gefühl, als würde der Fussboden etwas hebend von Ost nach West geschoben. Dass hier keine Täuschung im Spiele war, dafür steht der Einsender. Zu bewundern ist dabei nur, dass, während ein

grosser Theil hiesiger Einwohner die gleiche Wahrnehmung einer Erdbewegung machten, ein anderer Theil absolut nichts gespürt hat. (Eis. Ztg. 8) 4 Uhr 5 Minuten Berliner Zeit (?) eine schwache undulatorische Erschütterung, scheinbar von O. nach W. ohne irgend welches unterirdische Geräusch.“

Weimarerische Zeitung (7. 3. 1872):

„Heute Nachmittag 3 Uhr 50 Minuten sind hier zwei Erderschütterungen verspürt worden, von denen die erstere die stärkere war, beide aber in der Zeit von einigen Sekunden aufhörten. Verschiedene Bewohner, die bei irgendeiner Beschäftigung waren, haben eine Erschütterung in der Stube, eine Bewegung des Stuhles, auf dem sie saßen, deutlich verspürt; dazu haben sich auch in den Stuben Kalkstückchen von der Decke gelöst ...“

GREBE (1872):

„ ... geringe Erschütterung ...“

Der Stadt- und Landbote (9. 3. 1872):

„In ... Eisenach ... ist nach telegraphischen Nachrichten zu derselben Zeit ebenfalls ein bedeutender Erdstoß empfunden worden.“

EISENBERG (Thüringen)

Eisenberger Nachrichtenblatt (8. 3. 1872):

„Heute Nachmittag etwa 4. Uhr 5 Min. wurde hier eine sehr bedeutende Erderschütterung gefühlt; dieselbe ging von Süden nach Norden. Zeitdauer etwa 3 Sekunden; die Bewegung war eine rollendwellenförmige. Dieselbe war so stark, dass die Glocke auf dem Rathhausturme einmal anschlug, in verschiedenen Häusern ist Kalkputz von den Wänden gefallen, einzelne Ziegel sind von den Dächern abgerutscht, in einem Hause, dem Geinitzchen am Markt, ist eine der Deckplatten der Esse herabgefallen. Das die Erschütterung begleitende Geräusch glich einem fernen starken, kurz rollenden Donner. Der Schrecken war ein ziemlich grosser. In unserer Nähe ist die Erschütterung überall gefühlt worden.“

EISFELD (Thüringen)

Eisfelder Zeitung (9. März 1872):

„Eisfeld, 6. März. Soeben, 4 Uhr Nachmittags, verspürten wir hier einen Erdstoß in vier Wallungen ... – Auch aus der Umgegend liegen zahlreiche Berichte dieses Begebnisses vor.“

EISLEBEN (Sachsen-Anhalt)

v. SEEBACH (1873):

„Zwei sehr starke Erschütterungen deren Wellenbewegung von Osten nach Westen zu gehen schien, um 3 Uhr 56 Minuten /Berliner Zeit/. (Herzog, K.G.-D.d.T.)“

EISMANNSDORF (Sachsen-Anhalt)

GIEBEL (1872):

„Heute Nachmittag 5 Minuten vor 4 Uhr ... , nahm man im hiesigen Orte eine nicht unbedeutende Erderschütterung wahr, die 4 bis 5 Sekunden anhielt und in 2 Stößen auftrat. Es wurde hierbei bemerkt, dass die Wände, auch die der stärksten Häuser, in eine deutlich wahrnehmbare zitternde Bewegung geriethen. Die beiden Erdstöße wurden vornämlich von den Leuten bemerkt, die auf harten Stühlen und in der Nähe der Seitenwände der Gebäude sassen. Kleinere Gegenstände, besonders die an den Wänden hängenden, geriethen in zitternde Bewegung; andere, auf Tischen befindliche, fielen sogar um. Viele der hiesigen Einwohner verliessen in der Bestürzung ihre Wohnungen, weil sie geglaubt, dieselben würden einstürzen. Auch zeigten die Thiere, z.B. die Tauben, während der Erschütterung grosse Unruhe, indem vornämlich letztere in Schaaren aus den Schlägen und von den Dächern eilten. Während des Phänomens vernahm man ein schwaches, unterirdisches, schwach donnerähnliches Geräusch.“

ELSTERBERG (Thüringen)

GREBE (1872):

„ ... Schornsteine eingestürzt ...“

v. SEEBACH (1873):

„Schornsteine stürzen ein. (Dorfztg. 9)“

ERFURT (Thüringen)

v. SEEBACH (1873):

„3 ¼ Uhr ein nicht ganz unbedeutender Erdstoss. Die Bewegung war so stark, dass Meubles schwankten, Wasser in Wasserflaschen sich bewegte und dass vor Schrecken die Bewohner, namentlich der oberen Stockwerke, aus den Stuben liefen. Auf der Saline ebenfalls verspürt. (Thür. Ztg.)

Auf der Telegraphenstation wurde um 3 Uhr 55 Minuten Berliner Zeit, ein donnerähnliches Geräusch bemerkt, welches ähnlich, als wenn eine starke Thüre mit grosser Heftigkeit zugeschleudert oder ein grosser Ballen vor dem Fenster zur Erde geworfen wurde. Der mit der Depeschexpedition beschäftigte Beamte bemerkte, dass der Tisch, an dem er arbeitete erschüttert wurde, gleich als wenn daran gestossen worden wäre. (Mühlen, K.G.-D.d.T.)

In ... Erfurt ... liefen viele Bewohner ängstlich aus ihren Häusern. (Ruhlaer Wochenblatt, 9. 3. 1872)“

ERLANGEN (Bayern)

v. SEEBACH (1873):

„ ... von mehreren Kranken im Universitätskrankenhaus ein eigenenthümliches Schwanken bemerkt und sofort als Erdbeben gedeutet. (Erlang. Tgbl. 12)“

ERMSLEBEN (Sachsen-Anhalt)

v. SEEBACH (1873):

„ ... ungefähr 3 Uhr 50 Minuten /Berliner Zeit/ eine wellenförmige stossweise, 4 Stösse /?/ Erschütterung von Süden nach Norden. Ein donnerähnliches Geräusch ist nur von denjenigen gehört worden, die in // der Erde standen. In höheren Stockwerken ist der Stoss stärker empfunden worden. Personen im dritten Stockwerk haben angstvoll ihre Wohnungen verlassen. (Schroeder, K.G.-D.d.T.)“

ESCHENBACH (Bayern)

v. SEEBACH (1873):

„ ... um 4 Uhr eine nicht unbedeutende aber nur 4 Secunden dauernde Erderschütterung. Die Böden und Wände schwankten, besonders in den höher gelegenen grösseren Gebäuden des Bezirksamts und Landgerichts etc. (Augsb. Abendztg)“

ESCHWEGE (Hessen)

GREBE (1872):

„ ... Klaustrurm gewankt ...“

FALKENSTEIN (Sachsen)

Falkensteiner Anzeiger (7. 3. 1872):

„Gestern nachmittag gegen 4 Uhr machte sich hier und in der Umgegend ein ziemlich heftiges Erdbeben bemerkbar, welches von einem starken, donnerähnlichen Rollen begleitet war. Die Erschütterung wurde am meisten in den oberen Stockwerken der Häuser empfunden, besonders schien es auf den Böden, als ob das Gebälk auseinanderbersten wolle. Auch in den unteren Räumen kamen selbst schwere Gegenstände ins Schwanken, und einzelne an der Wand hängende Sachen stürzten herab. Daß sich vieler Gemüther eine gewisse Angst bemächtigte, ist selbstverständlich.“

v. SEEBACH (1873):

„ ... selbst schwere Wagen werden durch die Erschütterung in Bewegung gesetzt. (Chemn. Tagebl.)“

FALKNOV/ČSFR (ehem. Falkenhain; Kreis Rumburg) Gedenkbuch der Stadt Schönlinde:

„ ... Am 6. März dieses Jahres (1872) nachmittags 4 ½ Uhr erfolgte eine gewaltige Erderschütterung, und war dieselbe in Falkenhain ... am intensivsten zu verspüren; dort ließ sich auch ein bedeutendes Rollen vernehmen ...“

FLOSS (Bayern)

v. SEEBACH (1873):

„ ... Nachmittags 3 Uhr 50 Min ... in den ... Gebäuden eine so starke Erschütterung, dass viele Familien beunruhigt wurden und die

Empfindung hatten, als drohte von dem Gebälke des Daches her der Einsturz. In den höheren und mehr östlich gelegenen Wohnungen wurden sogar leichte Mobiliargegenstände ihrem Platze entrückt und nervöse Personen fühlten sich electricisch durchzuckt ... (Regensbg. Tagebl. 9)"

FORCHHEIM (Bayern)

GREBE (1872):

„Betten schwanken.“

FORSTWOLFERSDORF (Thüringen)

Kirchenchronik Forstwolfersdorf:

„Tags darauf, Mittwoch, den 6. März, Nachmittags, kurz nach 4 Uhr, wurde ... auch hier ein gewaltiger Erdstoß (Erdbeben) verspürt, mit einem donnerähnlichen Rollen verbunden, Menschen zitterten und liefen aus ihren Wohnungen hinaus, Fenster klirrten, Vasen wankten und Meubles und Geräthe mannigfacher Art wurden zum Theil bewegt. Auch die Thiere des Hauses und Hofes schienen dadurch unangenehm berührt worden zu sein, wurden unruhig, spitzten die Ohren, winzelten und klagten. Schaden jedoch haben dabei weder Wohnhäuser und Wirtschaftsgebäude, noch Thiere und Menschen genommen.“

FRANKENBERG (Sachsen)

GREBE (1872):

„Bald nach 4 Uhr. Dauer 20 Sec. Man empfand eine heftiger als bei den einzelnen früheren Fällen auftretende Erschütterung des Erdbodens. Schwanken der Gegenstände in höher gelegenen Zimmern.“

FRANKFURT a. M. (Hessen)

v. SEEBACH (1873):

„¾ 4 Uhr bemerkte der Thürmer auf der Paulskirche ein starkes Schwanken von NW. nach SO. (Frankf. Ztg., 9) Ich sass vor meinem Arbeitstisch und schrieb. Plötzlich – es war genau 40 Minuten vor 4 Uhr – überkam mich ein eigenthümlicher Schwindel und ich verspürte deutlich ein ziemlich heftiges Schwanken des Hauses von Nord nach Süd (Referent wohnt auf der westlichen Seite des Sandweges) Im ersten Moment dachte ich, in Hinblick auf die schreckliche Katastrophe in der Judengasse, an ein Einstürzen des Hauses und wollte vom Stuhle aufspringen, vermochte das aber nicht, da ich mich wie betrunken fühlte. Nach etwa 5–6 Sekunden liess dies Gefühl nach, und ich vermochte aufzustehen. (Frankf. Journ. 8)“

Ztg. „Deutschland“ (7. 3. 1872):

„Aus dem südwestlichen Deutschland wird berichtet, daß in Frankfurt a.M. die Erschütterung in vielen Stadtteilen sehr stark empfunden wurde und der Thürmer des Pauls-Turmes eine starke Schwankung verspürte ... “

FRANKLEBEN (Sachsen-Anhalt)

GIEBEL (1872):

„Heute Nachmittag um ¾ 4 Uhr wurde auf dem Oberhofe ein Erdstoss verspürt, der besonders auf der westlichen Hälfte des herrschaftlichen Hauses sehr deutlich gefühlt wurde. Hebung und Senkung dauerten ungefähr eine Sekunde, und es schien, als ob das Haus in sich zusammenstürzen wollte; auch wurde ein dumpfes Rollen gehört.“

FRANTIŠKOVY LÁZNĚ/ČSFR (ehemals Franzensbad; Kreis Cheb)

GREBE (1872):

„Franzensbad. 4 ¼ Uhr. Dauer 2–3 Sec. 3–4 Erschütterungen mit dumpf rollendem Getöse. Zittern von Thür und Fenstern, Möbel schwanken. Mehrere Menschen von Schwindel befallen.“

KÁRNÍK et al. (1957):

„Vom Gebiete Böhmens liegen Meldungen aus folgenden Ortschaften vor: 4° – ... Frant. Lázně ... “

FRAUENPRIESSNITZ (Thüringen)

v. SEEBACH (1873):

„In der Kirche war das Deckengewölbe gesprungen, mehrere Gurtsteine hatten sich abgelöst, sodass die Behörde eine sofortige Reparatur dringend nöthig fand. (Prof. Schmid)“

FREIBERG (Sachsen)

v. SEEBACH (1873):

„Die meteorologische Station meldet dem Freib. Anz.: Nachmittags 3 Uhr 55 Minuten /so giebt das Dresd. Journ. an, das Leipz. Tgbl. dagegen 3 Uhr 57 Min. / (Freiberger Zeit) verspürte man hier einen Erdstoss, der sich durch rasche rüttelnde Bewegung bemerkbar machte und circa 1 Secunde Dauer hatte. Eine Minute später erfolgte jedoch ein zweites, viel heftigeres Erbeben der Erde von ca. 3 Secunden Dauer. Die Stärke dieses zweiten Stosses war so heftig, dass Bilder an den Wänden sich bewegten, in einem Zimmer Kalk von der Decke fiel, Thüren rasselten, Oefen wankten, Gläser durch gegenseitiges Anstossen erklangen, ja an einigen Orten kamen Flaschen mit Flüssigkeiten in rotierende Bewegung; ein auf einer steinernen Gartentreppe befindlicher 9jähriger Knabe beklagte sich, es hätte ihn Jemand von der Gartentreppe hinabstossen wollen, er hatte aber Niemand gesehen. Bei einer Gesteinshalde kamen die Massen zur Rollung, sodass Vorübergehende dadurch aufmerksam wurden; bei einem Dampfkessel wurde das Gewicht des Sicherheitsventils gehoben, so dass durch das erfolgte Entweichen des Dampfes der Heizer bestürzt wurde und glaubte, der Kessel explodire. In Gebäuden und namentlich in höheren Etagen hat man die stark zitternde Bewegung wahrgenommen, während in untern Zimmern weniger, auf Strassen (vielleicht wegen des Getöses von fahrenden Wagen) sehr wenig, im freien Felde aber sehr deutlich das Erdbeben beobachtet worden ist. ... 4 Uhr 16 Minuten erfolgte noch eine leise ca. 3 Secunden anhaltende Erzitterung. Der zweite oder Hauptstoss erfolgte von mehr westlicher Richtung nach Ost.“

Ferner schreibt der Fr. Anz.: Bei „Himmelfahrt Fundgrube“ ist die Erdschütterung auch in der Grube auf allen Gezeugstrecken und in den Förstenbauen sehr deutlich bemerkt worden, und zwar ist es manchen Arbeitern wie der Einsturz irgend eines Grubenbaues, andern wie das Rollen eines Eisenbahnwagens auf einer Brücke vorgekommen, während noch andere, die sich zufällig angelehnt gehabt, eine starke Vibration empfunden haben.“

FRIEDEWALD (Hessen)

GREBE (1872):

„ ... gegen 4 Uhr ... “

FRIEDRICHRODA (Thüringen)

v. SEEBACH (1873):

„Herr Dr. Köllein theilt mir endlich auch noch die Wahrnehmungen des Herrn Lehrer Roth mit. In seinem Zimmer schlug ein 5 cm. von der Nordwand abhängendes Thermometer gegen diese; ein Bild an der Nordwand schlug von der Wand ab und an, während ein anderes an der gegenüberliegenden südlichen nicht bewegt wurde. Das Geräusch während des Stosses war sehr intensiv und beängstigend und nach demselben zeigte sich in der westlichen Wand in der Ecke neben der nördlichen ein vorher nicht vorhandener Riss.“

FRIESSNITZ (Thüringen)

Kirchenchronik Frießnitz:

„Am 6. März d. J. ereignete sich ein starkes Erdbeben ... , welches so heftig war, daß die Bewohner der Häuser den Einsturz derselben fürchteten, indem Fenster u. Thüren erkirrten, einzelne hochgestellte Gegenstände um- u. von ihrem Standpunkte herabfielen.“

FROHBURG (Sachsen)

v. SEEBACH (1873):

„ ... Wagen werden zum Rollen gebracht ... /in welcher Richtung?/ (Chemn. Tagebl.)“

FÜRTH (Bayern)

GREBE (1872):

„ ... gegen 4 Uhr. Im südwestlichen Theil der Stadt, in dem oberen Stock des Staatsbahnhofs, in den oberen Räumen des christlichen

Hospitals, in den Häusern zunächst der Turnhalle sehr starke Wahrnehmungen. Ein Ofen fing zu rauchen an und musste repariert werden.“

GISSBERGER (1924):

„Am 6. März 1872 wurden /in Fürth/ mehrere Erdstöße wahrgenommen.“

FULDA (Hessen)

v. SEEBACH (1873):

„ ... gegen 4 Uhr ca. 3 Minuten dauernd ... (Frankf. Ztg. 8)“

GANGLOFFSÖMMERN (Thüringen)

v. SEEBACH (1873):

„ ... man hört das Läuten eines auf dem Boden hängenden durch die Erschütterung bewegten Schellengeläutes. (Nat. Ztg.) 10“

GANGLOFFSÖMMERN, Ortsteil Schilfa (Thüringen)

GREBE (1872):

„ ... Uhrlocken des Schlossturms gegen einander schlagend ...“

v. SEEBACH (1873):

„ ... die Glasprismen von 2 Armluchtern klirren gegeneinander, die Uhrlocken des Schlossturms schlagen, Sophas und Fauteuils, auf denen Personen sitzen, schwanken. (Ebenda)“

GEFELL (Thüringen)

Acta spec. des Magistrats zu Gefell, betreffend Selbstmorde, Unglücksfälle v. 1868–92:

„Gefell, den 6. März 1872. Heute Nachmittag 3 Uhr 45 Minuten ereignete sich hier ein kleineres Erdbeben. – Die Bewegung war wellenförmig, währte vielleicht zehn Sekunden und lief von Südwest nach Nordost. –

Alle Häuser erzitterten, doch war die Schwankung in den oberen Stockwerken bedeutend stärker als in dem Parterre. –

Mit der Erscheinung war ein kurzer, heftiger Sturm verbunden. Das Erdbeben war mit einem unterirdischen, donnerähnlich rollenden Geräusch begleitet. gez. Krüger, Polizei-Verwalter.“

GEITHAIN (Sachsen)

v. SEEBACH (1873):

„ ... von einer dumpfen und starken Detonation in den Gebäuden begleitet. In festen Mauerschranken schlugen Gläser etc. aneinander. Im Dienerzimmer des massiven Gerichtsgebäudes schlugen die Klänge an. (Chemn. Tagebl.?)“

GERA (Thüringen)

v. SEEBACH (1873):

„ ... das Ereignis trat um 4 Uhr auf und mag 6–10 Sekunden gedauert haben. Die Erschütterung war eine ganz eminente. In einigen Wohnungen sind sogar Möbel umgefallen und Türen aufgesprungen, verschiedene Schornsteinköpfe stürzten von den Häusern, einzelne Wände und Decken bekamen, zum Theil sehr bedeutende Risse; auf der Sorge hier fiel ein Mann infolge der Erschütterung um und musste in ein Haus gebracht werden, ein paar andere Personen wurden durch herabfallende Ziegelstücke verletzt und in ärztliche Behandlung genommen, auf Alle aber, welche sich innerhalb von Gebäuden befanden, machte es den Eindruck, als stürzte das Haus zusammen. Daher kam es, dass in Zeit von einer Minute fast alle Bewohner auf den Strassen standen und dort nach den betreffenden Dachgiebeln schauten, um zunächst nachzusehen, wie viel wohl eingestürzt sei. Personen, welche sich auf der Strasse, oder in Kellern befanden, haben nur wenig oder nichts von der Erschütterung vernommen ... Herr Professor Liebe hatte die Güte mir über das Auftreten des Erdbebens in Gera und seiner Umgebung sehr werthvolle und ausführliche Mittheilung zu machen: Als Zeit wird mit Bestimmtheit auf unserer Telegraphenstation 3 Uhr 58 Minuten Berliner Zeit angegeben. Nach sorgfältigem und möglichst ausgedehnten Umfragen habe ich als sicher herausbekommen, dass alle Pendeluhren, die nordöstlich pendeln, stehengeblieben sind, während die westöstlich schwingenden fortgegangen sind. Der Stoss kam daher annä-

hernd entweder aus O. oder aus W. In einem hiesigen Drogengeschäft, dessen Ladenwände ziemlich genau in der Richtung nach NW. verlaufen, sind die Holzschiebekästchen, welche die Wände bedecken, nur an der östlichen Wand herausgefahren und natürlich oben mehr als unten ...

Der Stoss ist wahrscheinlich rein oder nahezu O. oder W. gekommen, denn in den Häusern, welche mit der Hauptfront südnördlich sich erstrecken, ist der Stoss weit stärker empfunden worden als in anderen Häusern. Es sind hier in Gera zwei Essenköpfe, verschiedene Ziegel und fast in allen Wohnungen Theile des Kalkbewurfes herabgeschleudert worden. Die hohe Esse des Fabrikanten Kuhn bekam von 6 Ellen unter der oberen Ausladung einen solchen Riss, dass sie abgetragen werden musste. Auf dem alten Seitenflügel im Schlosse Osterstein, welches auf einer ostwärts in das Thal vorspringenden Buntsandsteinmasse liegt, war die Erschütterung in der Wohnung des Hofmarschalls so heftig, dass Bilder herabgeschleudert, Vasen und Statuetten herabgestürzt und die Gläser im Glasschranke umgeworfen wurden.

Die meisten Bewohner stimmen darin überein, dass sich unmittelbar ein schwächerer und ein starker Stoss folgten und die Dauer 3–6 Sekunden betragen haben mochte. Viele zufällig in Kellern anwesende Personen haben nichts bemerkt – wohl weil sie an das Donnern vorüberfahrender Wagen gewöhnt waren. Sehr viele andere haben das Beben und das Donnern gerade in den Kellern so stark gefühlt und gehört, dass sie erschrocken herausgesprungen sind.

In den Häusern ist der Stoss meist deutlich als eine Wellenbewegung wahrgenommen worden, die sich an den Decken, an den Wänden, am Fussboden, an hohen Möbeln deutlich beobachten liess. Die grosse Mehrzahl der Berichte stellen den Stoss als einen seitlichen dar; doch ist in mehreren Häusern der oberen auf Zechstein gelegenen Stadt, sowie tiefer, wo der Zechstein unter das Thalalluvium hinunterschiesst, der Stoss als bestimmt von unten kommend verspürt worden und hat nicht wenig Schrecken verbreitet. Ueberhaupt war die Aufregung so gross, dass ich sie bei grossen Schadenfeuern nicht so gross gesehen habe.

In der eigentlichen Elsterau war der Stoss sehr hörbar, im Freien (wegen der Kieslager) wenig, dagegen in den Häusern fast ebenso fühlbar, wie in den oberen auf Zechstein und Buntsand liegenden Ortschaften. Ja einzelne Gebäude sind merkwürdig stark erschüttert worden. So ist in einem Gewächshause, dessen Glaswand von O. nach W. verläuft, die wellige Biegung so stark gewesen, dass die Fensterscheibchen mit den Ecken aus dem Blei gewichen sind. In einem Hause, welches vor wenigen Jahren erst erbaut worden und welches auf Elster-Alluvium so steht, dass die eine Aussenmauer nach NW. liegt, ist letztere so stark geborsten, dass man von der Stube ins Freie sehen konnte ...

Die Tauben sind allenthalben sämmtlich aus den Schlägen gescheucht worden und waren nicht sobald beruhigt.

Das Wasser in 3 starken Quellen, welche der Stadt laufendes Wasser liefern, war leicht getrübt, – nicht so stark, wie nach anhaltendem starken Regen ... Auch einige Pumpbrunnen zeigten eine Trübung des Wassers.

In den beiden Erdfällen (Zechsteingypsschlotten), von denen einer von Zeit zu Zeit starken Schwefelwasserstoffexhalationen mit Trübung des Wassers durch abgeschiedenen Schwefel unterworfen ist, habe ich durchaus keine Aenderung gewahren können. Allerdings traten die plötzlichen Gasentwicklungen meist nach jähen starken Barometerschwankungen ein. Mich frappirte aber doch der klare, schwarze Spiegel des Wassers, das ich nach dem Stosse milchweiss getrübt geglaubt hatte ...

Als allgemeines Resultat theilte Herr Prof. Liebe mit, dass der Stoss allenthalben in den Thälern stärker verspürt worden ist als auf den Bergen, und dass alle Bäche auf dem Gürtel zwischen Gera und Schmöln durch den Stoss plötzlich und auch ziemlich anhaltend bedeutend wasserreicher geworden sind. (Prof. Liebe)“

KRAUSE (1873):

„I. Die das Erdbeben begleitenden Schallerscheinungen

... Herr Mengel schreibt darüber:

„ ... Mittwoch den 6. März desselben Jahres, Nachmittags 4 Uhr saß ich ebenfalls in meinem Stübchen beim Schreiben, als ich mit einem Male nach rechts und links schwankte und beim erschrockenen Aufspringen das Gleichgewicht nicht erhalten konnte. Gleichzeitig ertönten meine beiden Klänge im Laden, ich vernahm ein Rollen ähnlich dem am Montag gehörten, aber dreifach stärker, sprang mit einem Satz über den Ladentisch und eilte auf die Straße, wo ich nur bleiche Gesichter sah u.s.w. ...“

Herr Färbermeister Seydel sen. berichtet in ähnlicher Weise: 'Ich befand mich wie gewöhnlich in meiner gewölbten Färberei am Mühlgraben hier, Färbergasse 4. Es war 4 Uhr Nachmittags; da erklang plötzlich ein dumpfes Getöse, ein unterirdisches Rollen. Es war, als wenn ein schwerer Rollwagen von dem Ende der Kaisergasse her rasch nach dem Enzian zu fahre. Das Rollen mochte etwa 6" (Sekunden – Anmerkung des Autors) lang gedauert haben. Nach einer Stille von etwa 2" begann das Rollen wieder und dauerte etwa noch 4 Sec, sich anscheinend im Enziangarten verlierend.' In ähnlicher Weise berichtet auch Herr Steinberg.

Die Stärke des Rollens wird von den verschiedenen Beobachtern verschieden beurtheilt. Einige sprechen von einem geradezu donnerähnlichen Geräusch, während Andere (Herr Bräunlich u. A.) diesen hohen Grad des Schallphänomens nicht bestätigen können. Letzterer sagt: 'Gleich andern vernahm ich ein nicht starkes Geräusch unter mir, von dem ich nicht hätte sagen können, ob es innerhalb oder außerhalb des Hauses entstanden sei', während zugleich die Frau desselben, im Freien sich befindend nur ein Geräusch wie von einem mäßig schnell rollenden Wagen hörte, ohne sonst Etwas zu bemerken.

II. Wirkungen des Erdbebens auf Personen und Gegenstände innerhalb der Gebäude

In Bezug auf den Eindruck, welchen das Erdbeben auf die in den Häusern befindlichen Personen machte, wird übereinstimmend berichtet, daß überall das Gefühl des Zusammenstürzes der Häuser herrscht habe, und daß demzufolge ein 'Jeder mit dem, was er gerade in der Hand gehabt habe, mit Feder, Lineal, Briefen und Elle etc., um sein Leben zu retten, in's Freie geeilt sei.' Am Ausführlichsten berichtet in dieser Beziehung der fürstliche Hofbibliothekar und Archivar, Herr Hahn. Nachdem er die Lage der fürstlichen Bibliothek, welche etwa 180' (' = Fuß; 1 Fuß = 30,48 cm; Anmerkung des Autors) über dem Elsterbett liegt, geschildert hat, fährt er fort: 'Das Schloß ist durchaus massiv und haben die Wände selbst in der Bibliothek, den höchsten Localitäten desselben, noch eine Mauerstärke von über 3'. Welche Wirkung ein Erdstoß auf einen solchen Steinkolob hat, konnte ich genügend wahrnehmen, als das Phänomen eintrat. Die Erschütterung machte sich durch ein furchtbares Krachen bemerkbar, welches mich im ersten Moment vermuthen ließ, daß unter mir eine Decke nach der andern einstürze. In der Meinung, es werde jetzt auch die letzte unter meinen Füßen nachfolgen, sprang ich von dem Sessel vor meinem Katalogpulte herab auf die Diele, um nach der Thüre zu eilen. Die Schwankung war jedoch so stark, daß ich das nicht vermochte. Ein schwerer eiserner Brustharnisch, welcher nahe am Ofen auf eisernem Untersatz steht, schwankte unter starkem Dröhnen so mächtig hin und her, daß er nach dem Stoß genau rechtwinklig zu seiner ersten Richtung stand. Ich selbst hatte, während ich nach der Thür eilen wollte, das Gefühl, als ob ich ein auf dem Wasser schwimmendes Brett unter mir habe, auf dem man nicht festen Fuß zu fassen vermag. Als der Stoß begann, war ich eben mit Eintragen in einen der Katalogbände beschäftigt. Wie energisch und plötzlich seine Wirkung war, ergibt sich daraus, daß das Schreiben inmitten einer Silbe unterbrochen wurde, die ich wegen zu großer Aufregung an jenem Tage nicht fertig zu schreiben vermochte. Die Feder zu halten, war mir vollständig unmöglich, und darf ich wohl behaupten, daß, in Folge Zusammentreffens aller angeführten Umstände, kein Mensch jenen Erdstoß so stark oder doch wenigstens keiner stärker empfunden hat, als ich. Die Schloßthurm schlug inmitten der Erschütterung gerade 4 Uhr, was mich zu der Annahme führte, die Glocken hätten in Folge des Stoßes angeschlagen. Daß der vom hinteren Schloßhofe gerade aufsteigende, dicke, steinerne Schloßthurm sichtbar geschwankt hat, ist mir übrigens von zwei glaubhaften Zeugen auf das Bestimmteste versichert worden. Beide hatten gefürchtet, der Thurm werde umstürzen.

Nachdem ich mich nach der momentanen Bestürzung überzeugt hatte, daß es ein Erdstoß gewesen, welcher all' diese Erscheinungen hervorgebracht, öffnete ich ein Fenster und sah eine Anzahl Schloßbewohner im hintern Schloßhofe, welche sämmtlich der Meinung gewesen, es stürze irgend ein Gebäude über ihnen zusammen. Es ist charakteristisch, daß ich in den obersten Räumen eines Steingebäudes ein dem anderswo empfundenen entgegengesetzten Eindruck hatte, den nämlich, als ob unter mir sämmtliche Decken zusammenbrächen.

Das nächste (Bibliothek)-Zimmer selbst bot einen chaotischen Anblick. Tausende von Büchern waren umgefallen und lagen zum Theil auf der Diele. Eine schwere Porzellanbüste gleichfalls u.s.w. ...'

In ähnlicher Weise schildert Herr Seydel in seinen Beobachtungen:

'Der Erdboden zitterte, die Mauern schwankten, und die Kinder, welche in den Wohnzimmern 1 und 2 Stock hoch sich befanden, kamen in größter Eile treppab gerannt mit dem Geschrei: 'das Haus fällt ein!', denn die Oefen hatten ebenfalls Schwankungen ausgeführt und die Bilder an der Wand eine schiefe Richtung angenommen, während zugleich ein von den Wänden und Thüren ausgehendes Knarren vernommen wurde. Wir begaben uns alle schleunigst auf die Straße: aus allen Häusern stürzten mit erschreckten Mienen die Bewohner heraus ...'

Denselben Eindruck des in sich zusammenstürzenden Hauses hatte auch Herr Dr. Schmidt:

'Ich saß an meinem Schreibtische, als plötzlich über meiner Stube ein polterndes Gräusch entstand, wie wenn ein Theil des Daches zusammenstürzte. Aufspringen und von der bedrohten Mitte hinwegeilten wir. Gegen die Stube gewendet beobachtete ich, wie eine 1 Meter hohe Dracäne hin und her schwankte.'

Im dritten Stocke des früheren Waisenhauses wurde von Frau Mengel, welche sich eben in der Mitte der Stube befand, beobachtet, wie sich auf einmal die südwestliche Seite der Stube senkte, während die entgegengesetzte sich hob und wie so einige Male ein sichtbares Hin- und Herschwanken stattfand; Gläser und Tassen erklangen und die Schlüssel am Schlüsselbrett schlugen aneinander. In der Wohnung des Herrn Graf am Heinrichsplatz tönten die Klingeln, im Hause des Herrn Gärtner Brenner fielen Blumentöpfe und Küchengeschirre von ihren Standorten herab und in ähnlicher Weise erlitt Herr Leibe, Besitzer der Porzellanfabrik in Untermaus, einen merklichen Schaden durch das Umfallen und Zerschellen vieler Geschirre und Modelle.

Was die Art der Bewegung anlangt, so wird dieselbe von mehreren Seiten als eine wellenförmige, von anderer Seite als eine heftige Schüttelbewegung charakterisiert, welche in drei deutliche voneinander getrennte Einzelbewegungen zerfallend am jedesmaligen Ende mit einem kurzen, starken Stoß geendet habe. Die Stärke der Bewegung wird von Herrn Bräunlich auch dadurch gekennzeichnet, daß er sich im eigenen Körper erschüttert fühlte. Von den verschiedensten Seiten aber wird, wie schon erwähnt, übereinstimmend berichtet, daß die Deckenbalken ächzten, Pendeluhrn stehen blieben, kurz, Erscheinungen auftraten, welche wohl die Vermuthung des Häusereinsturzes hervorrufen und zur eiligen Flucht in's Freie Veranlassung werden konnten.

Was drittens die

Wirkungen des Erdbebens auf die Gebäude selbst betrifft, so fanden, abgesehen von kleineren Beschädigungen der Gebäude, wie solche im Abfallen des Deckenputzes, in Mauersprüngen u. dgl. beobachtet wurden, hier und da erwähnenswerthere Zerstörungen statt, die aber alle, wie Seebach in Bezug auf solche Thatsachen richtig bemerkt, im Allgemeinen ebenso sehr für die Baufähigkeit der beschädigten Theile der Gebäude, als für die relative Stärke des Erdstoßes sprechen. Solche Beschädigungen größerer Art haben zwei Schornsteine erlitten; der eine, auf dem Hause des Herrn von Hagen (am Markt) stürzte ein, der andere, am Güterschuppen des Bahnhofes Weida erfuhr eine Verrückung um seine Längsaxe der Art, daß die nördliche Seite nach Osten und die anderen im entsprechenden Sinne gedreht wurden.

Eine

Einwirkung ferner des Erdstoßes auf die Thiere ist mehrfach constatirt. Katzen sprangen von ihren Lagerstätten auf und blickten ängstlich umher, um dann schleunigst davon zu laufen. – Tauben aus verschiedenen Schlägen in der Nähe des Hotels zum Reußischen Hofe flogen auf und ließen sich im Schwarm auf dem Dache des genannten Hauses nieder, wo sie noch gegen 7 Uhr des Abends in dichtgedrängten Reihen gesehen wurden. Ein Beobachter auf der hoch gelegenen Reußter Windmühle erzählt, daß er kurz nach dem Stoße dicke Schwärme von Tauben aus den umliegenden Dörfern sich erheben sehen. – ... "

Geraer Zeitung (8. 3. 1872):

„Gestern Nachmittag 4 Uhr, nach Bahnfahrzeitmaß ... machten sich in unserer Stadt die Schwingungen eines Erdbebens in Bestürzung erregendem Grade bemerkbar. Ihre Dauer erstreckte sich ungefähr über den Zeitraum von 3 Sekunden und war innerhalb der Stadt mit einem derartigen explosionsartigen Dröhnen verbunden, daß Jedermann zunächst an den Einsturz über sich befindlicher Lokalitäten, oder wenigstens an den einer benachbarten Wohnlichkeit dachte. Alles was nicht niet- und nagelfest war, gab den, der Meisten Ansicht nach von Osten nach Westen sich vorwärtsschlingelnden Wellenbewegungen nach, namentlich unterlagen Pendeluhrn der angegebenen Reaction und blieben plötzlich stehen. Im Freien machte sich auf höheren Stationen nach dem Ausspruch vieler und zwar unterrichte-

ter Persönlichkeiten, nicht die mindeste vom Naturgang abweichende Erscheinung bemerkbar; andererseits erzählt man sich, daß in tiefer gelegenen Gegenden mitten auf Wiesen und Feldern Kinder umgeworfen wurden. Die Stadt selbst hatte an den Nachwehen verhältnismäßig wenig zu leiden. So viel bekannt, sind nur Essenköpfe und Ziegel herabgestürzt, welche leider aber zwei Verwundungen mit sich führten, von denen wir hoffen, daß sie nichts Bedenkliches mit sich tragen.“

Weimarische Zeitung (8. 3. 1872):

„Gera, 6. März. Nachmittags 4 Uhr wurde die Bevölkerung 2 bis 3 Sekunden lang durch heftige Erdstöße in Schrecken versetzt. Die Bewohner der Stadt und, soweit wir bis jetzt erfahren, auch der Nachbarorte, eilten auf die Straße oder ins Freie, ein jeder in der Meinung, das Haus stürze ein. Verschiedene Wände haben in der Tat bedeutende Risse bekommen, ebenso sind viele Essenköpfe und Ziegel auf die Straßen herabgestürzt, durch welche wiederum einige Personen verwundet worden sind. In einigen Gebäuden war die Erschütterung so heftig, daß die Möbel hin und her schwankten, einige sogar umfielen. Das Gleiche geschah mit Büsten, Statuen etc. So sind auch Türen aufgesprungen und Aehnliches mehr. Im Freien ist dagegen das Erdbeben von einzelnen Personen, die wir darüber hörten, gar nicht, von anderen wieder sehr stark verspürt worden ...“

Schleizer Wochenblatt (7. 3. 1872):

„Gera, 7. März. Gestern Nachmittag 4 Uhr 2 Minuten erfolgte hier eine ganz bedeutende Erderschütterung, die eine nicht geringe Aufregung in der gesamten Bevölkerung hervorbrachte. Das Erdbeben hielt ungefähr 10 Sekunden an u. war so stark, daß in Folge davon Wände zersprangen, Essenköpfe einstürzten u. die Pferde sich scheu aufbäumten. Die Menschen eilten bestürzt aus den Häusern. ...“

GERA-ERNSEE (ehemals Ehrnsee – eingemeindet zu Gera, Thüringen)

v. SEEBACH (1873):

„Ehrnsee. ... Herr Professor Liebe hatte die Güte mir über das Auftreten des Erdbebens in Gera und seiner Umgebung sehr werthvolle und ausführliche Mitteilung zu machen:

... Ich selbst befand mich zur Zeit ... auf der Höhe von Ehrnsee, eine Stunde westlich von Gera im Freien. Diese Höhe ist dort ziemlich hoch mit Sand bedeckt, dem Verwitterungsproduct des Buntsandsteins, der die ganze Höhe bildet. Ich hörte nur ein leises Rauschen und Rollen, welches so schwach war, daß ich unsicher war, ob es über oder ob es unter mir weg zöge. Es schien mir aus O. zu kommen. Ich war eben an der Försterei vorüber gekommen und hörte und sah plötzlich einen Ziegel von deren First herabrollen. Während ich einen Moment verwundert war, wie ein Firstziegel ohne Wind oder sonstigen äußeren Anlaß herabgestoßen werden konnte, stürzten aus den beiden, etwa 10 Schritt vor mir gelegenen Häusern die Leute erschreckt heraus und stand der Förster in seiner Thüre, deren Pfosten verdreht worden war. Der Stoß war in den Häusern so heftig gewesen, daß die Leute meinten vom Stuhle geworfen zu werden, und daß in dem einen Hause die Esse weit herab barst und der Essenkopf herabgeworfen wurde ...“

GERA-LANGENBERG (Langenberg – eingemeindet zu Gera, Thüringen)

Geraer Zeitung (8. 3. 1872):

„Langenberg. ... In unserm Orte wurde heute Nachmittag 3 Uhr 56 Min. eine ziemlich heftige Erderschütterung wahrgenommen. Dieselbe war derart, daß die Häuser bebten, und die Bewohner stürzten zum größten Theil, in eine Art Unheimlichkeit verfallen, erschrocken auf die Straße. Die Erschütterung, welche durch das Rütteln der Häuser den Leuten in den Wohnungen donnerähnlich vorkam, dauerte einige Sekunden. Nach Verlauf dieser Katastrophe wurde von den noch auf der Straße stehenden Leuten konstatiert, daß die Spindel der neuen Kirchturmfahne sich ganz gebogen hatte und zwar dermaßen, daß die Fahne ganz krumm steht, und es konnte sich Niemand, da bei der Katastrophe kein Sturmwind herrschte, diesen Zusammenhang erklären. Wahrscheinlich hängt dieser Zwischenfall mit dem furchtbaren Rütteln zusammen.“

GERBSTEDT (ehemals Gerbstädt, Sachsen-Anhalt)

GIEBEL (1872):

„Heute Nachmittag 3 Uhr 54 Min. wurden die Bewohner Gerbstädts durch einen fünf Secunden andauernden Erdstoss erschreckt, der sich von NO nach SW durch fünf deutlich unterscheidbare Wellenbewegungen bemerkbar machte. Die Bewegungen waren so heftig, dass in allen Häusern Bewegungen der Möbel bemerkt wurden, Spiegel von den Wänden fielen, und ein grosser Theil der Hausinsassen auf die Strasse stürzte, weil man sich die Erscheinung nicht zu erklären wusste.“

GEROLDSGRÜN (Bayern)

v. SEEBACH (1873):

„Um 4 Uhr zwei rasch aufeinander folgende Erdstöße, ziemlich intensiv, so dass in den Gebäuden die Möbel zitterten und schwankten und die Häuser im Gefüge knisterten und krachten. Dieselben waren von einem dumpfen donnerartigen Rollen begleitet. Der zweite Stoss war kräftiger und hat mehrere Secunden angedauert.“

GERTERODE (Thüringen)

v. SEEBACH (1873):

„Stark genug um die Leute aus den Häusern fliehen zu lassen; ... (Zeitungsausschnitt)“

GEYER (Sachsen)

v. SEEBACH (1873):

„... 4 Uhr und 6–8 Sekunden dauernd, aber so stark, dass alle aus den Häusern eilen ...“

GIESSEN (Hessen)

v. SEEBACH (1873):

„... 3 Uhr 40 Minuten eine zitternde Bewegung von 3 – 4 Secunden Dauer, die von NW. zu kommen schien (Zeitungsausschnitt). Herr Prof. Zoeppritz hatte die Güte auf meine Bitte mir einen genaueren Bericht über den Erdstoss daselbst zu schicken. Nachdem er sein Bedauern darüber ausgesprochen, dass weder er selbst noch Prof. Streng das Erdbeben selbst wahrgenommen hätten, schreibt er: Das Erdbeben fand statt um 3 Uhr 41 Minuten ... – Das Beben dauerte 3 Sekunden und wird von dem einen Beobachter als mit einer unbestimmten allgemeinen schwachen Erschütterung beginnend angegeben, welcher sich dann die von Allen sehr entschieden wahrgenommene Wellenbewegung, oder vielmehr wagerecht hin und her vibrirende Bewegung anschloss ... nach ganz übereinstimmenden Angaben zahlreicher Beobachter ...

Fast alle Diejenigen, welche die Erscheinung in stärkerem Grade wahrgenommen hatten, befanden sich während derselben in oberen Stockwerken. Parterrebewohner haben meist gar nichts oder nur ein leises Zittern bemerkt. – Wie bei den letzten (von Gross-Gerau ausgehenden) Erdbeben, so auch diessmal wurden die auf Alluvium, oder aufgefüllten Boden stehenden Häuser weit stärker erschüttert, als die auf festem Felsgrund erbauten. Von den Bewohnern des Seltersbergs, deren Häuser unmittelbar auf der Grauack stehn, hat diessmal, wie es scheint, Keiner etwas bemerkt, und auf der grossherzogl. Domäne Schiffenberg, ½ Meile von hier auf einer Basaltkuppe stehend, hat man weder von dem diesmaligen, noch von dem vorjährigen Erdbeben etwas verspürt.

Die Häuser des alten inmitten lehmiger Wiesen gelegenen Haupttheils der Stadt geriethen zum Teil in starke Schwingungen. Herr Rausch, Mathematiklehrer am Gymnasium, sah, im 2. Stockwerk am Arbeitstisch sitzend, den Giebel des gegenüberliegenden Hauses so stark sich gegen das Fensterkreuz hin und her verschieben, und zugleich seine Bücher auf dem Bücherbrett umfallen u.s.w., dass er einen Augenblick ernstlich fürchtete, das Haus würde einstürzen ...“

GLAUCHAU (Sachsen)

v. SEEBACH (1873):

„3 Uhr 56 Minuten wurde hier eine mehrere Secunden anhaltende Erderschütterung verspürt, welche so heftig war, dass in einzelnen Haushaltungen kleine gläserne Gefässe umgeworfen, mehrere Essenköpfe eingestürzt, wie auch Fensterflügel ausgehoben wurden, und die Glocken anschlagen. (Leipz. Tgbl.)

Die Glocken auf dem Stadtkirchthurm läuten. (Chemn. Tagebl.)

Die K. Telegraphenstation berichtet: ' ... Ein Beamter, welcher außerhalb der Stadt sich im Freien befand, hat von einer Erdschütterung nichts bemerkt ... Die starke Erschütterung war verbunden mit einem unterirdischen, donnerartigen Geräusch, so dass momentan ein Einsturz des Stationsgebäudes geglaubt wurde. Die Wellenbewegung ging von Südwest nach Nordost; auch wurde der Schornsteinkranz des Stationsgebäudes nach Nordosten herabgeschleudert. 3 Uhr 58 Minuten ... ' /Berliner Zeit./ (Schönherr, K.G.-D.d.T.)"

Ähnliche Meldungen in: Umschau in Thüringen, Jenaische Ztg. (58. 7. 3. 1872); Weimarer Ztg. (8. 3. 1872); Ztg. „Deutschland“

GREBE (1872):

„Ein Rathausschornstein stürzte herab.“

Ruhlaer Wochenblatt Nr. 21 (9. 3. 1872):

„In Glauchau stürzten mehrere Köpfe an Fabrikschornsteinen ein, Fenster wurden ausgehoben und die Glocken schlugen an.“

GLOGÓW/Polen (ehemals Glogau)

v. SEEBACH (1873):

„ ... Glogau, zwischen 3 und 4 Uhr wurden einige Nachstöße (? – Anmerkung des Autors) wahrgenommen. (Würzburg. Ztg., 12, A.A.Z. 10)“

GÖHREN-DÖHLEN (Thüringen)

Kirchenchronik Göhren-Döhlen:

„Am 6. März 4 Uhr nachmittags erfolgte ein Erdbeben, ohne jedoch irgend welche üble Folgen.“

GÖRLITZ (Sachsen)

v. SEEBACH (1873):

„ ... 4 Uhr 6 Minuten ein ziemlich starker Erdstoss. Demselben muss wohl auch ein Vorfall im Schwurgerichtssaale beigegeben werden. (Während der Schwurgerichtsverhandlungen wurde nämlich ein helles Knistern und Knacken in der Decke des Saales wahrnehmbar. Alles stürzte nach den Ausgängen, so dass einzelne Personen zu Boden geworfen wurden. Nach angestellter Untersuchung überzeugte man sich von der Grundlosigkeit der Befürchtung, dass die Decke einstürzen werde und die Untersuchungen wurden wieder aufgenommen). Der Stoss war so heftig, dass die Fenster klirrten und leichte Gegenstände, wie Geschirre und dergleichen umgeworfen wurden ... (Niederschl. Ztg.) ... (Schles. Ztg.)“

So auch in: Ztg. „Deutschland“ (Weimar)

GÖSSNITZ (Thüringen)

v. SEEBACH (1873):

„Frl. Cl. Pilling hatte die Güte mir zu schreiben, dass das Erdbeben nach der einen Uhr 10 Minuten, nach einer anderen 5 Minuten vor 4 Uhr stattfand. Zuerst kam ein donnerähnliches, ziemlich starkes Geräusch, dann war eine kleine Pause, nur ebenso lange, dass man denken konnte, was wohl eigentlich passire, da kam der zweite Stoss, der wohl um 10 Mal stärker war und die Häuser in den Fugen krachen machte. In einer Oberstube wurden die Bewohner 5 bis 6 Mal von ihren Stühlen in die Höhe gestossen, Gefässe, die theilweise nur ½ oder ¾ voll waren, liefen über, viele Gegenstände wurden umgestürzt, Oefen wurden verrückt und zum Theil eingestürzt; zwei Drittel aller Essen sind beschädigt worden, manche haben sich merkwürdiger Weise nur gedreht, aber alle genau nach derselben Richtung. Die eingestürzten Schornsteine sind bei Häusern mit ost-westlichem Firste gerade hinabgestürzt, während sie bei solchen mit nordsüdlichem mehr nach S. hingeschleudert worden sind. Die Häuser haben zum Theil merklich gelitten, manche haben Risse, die durch und durch gehen. Bei Häusern, die nahezu nach den Himmelsgegenden orientirt sind, sind die meisten Risse in der Südwand, etwas weniger in der Nordwand und entschieden weniger nach O. und W., bei diagonal stehenden Häusern sind nahezu in allen Wänden gleichviele Spalten entstanden. Die Spalten sind unregelmässig, theils senkrecht theils geneigt, eine bestimmte mittlere Neigung konnte nicht festgestellt werden. Die eiserne starke Stange auf dem Thurme hat da, wo sie die Windfahne trägt, eine Biegung nach W. hin erlitten und in ihrer ganzen Länge sich etwas nach S. geneigt. Leute, die eben auf der Strasse waren, haben die Häuser und den Thurm schwanken sehen. Wir sind mit vielen Anderen einstimmig der Meinung, dass der Stoss nicht, wie die meisten Berichte lauten, von

S. gekommen ist, sondern /scheinbar/ von NO. etwas mehr N. als O., denn die Empfindung war, als stürze die nordöstliche Ecke des Hauses ein. Eine ganz glaubwürdige Dame hat ganz deutlich die wellenförmige Bewegung wahrgenommen; sie stand am Fenster und bemerkte, wie sich ihr Haus von NO. nach SW. zu neigte.“

GÖTTINGEN (Niedersachsen)

v. SEEBACH (1873):

„Das Erdbeben ist hier in Göttingen von zahlreichen Personen empfunden worden. Auch ich selbst habe die Bewegung in Gemeinschaft mit Herrn Dr. M. Bauer auf meinem Arbeitszimmer in der geologischen Sammlung sehr deutlich empfunden. Da das nur leicht gebaute und schon etwas baufällige Gebäude, in welchem die geologische Sammlung provisorisch noch untergebracht, aber noch zu verschiedenen anderen Zwecken dient, ein Laboratorium beherbergt und von zahlreichen Personen bewohnt wird, so wurde die wahre Natur der empfundenen Schwankungen nicht sofort mit Sicherheit erkannt und anfänglich mehr im Scherz als im Ernst von mir als Erdbeben bezeichnet. Aus diesem Grunde haben wir dann leider auch versäumt, die Zeit zu beobachten. Dieser Mangel ist hingegen ausgefüllt worden durch den Director der Sternwarte, Professor Klinkersues, der sofort seine Uhr zog ... Er versetzt den Anfang des Bebens in 3 Uhr 44 Min. 53 Sec. , während die ganz unabhängige Beobachtung von Herrn Professor Sartorius von Walthershausen diesen Anfang ... 3 Uhr 45 Min. 0 Sec. beobachtete ... Beide schätzten die Zeit auf 8 Sekunden und Dr. Bauer schloss sich dem an; persönlich hätte ich dieselbe eher für geringer gehalten. Während der Erschütterung sah ich, wie ein mir gegenüber nur an einem mittleren Ring hängendes Bild mehrere Male von der Wand ab und an pendelte, wie es schien vollkommen parallel mit dieser ... Herr Professor Stern beobachtete an seinem Schreibtisch sitzend, wie dieser plötzlich unter seiner Hand in der Richtung seiner längeren Seiten nach links und rechts hin und her schwankte ... in der im zweiten Stock gelegenen Wohnung des Herrn Professor Stern war der Stoss stark genug um eine kleine Stutzuhr in Bewegung zu versetzen. Ich selbst glaube mit Bestimmtheit in der Erschütterung im Anfang und gegen das Ende eine Steigerung der Bewegung, zwei Hauptstöße empfunden zu haben. In höheren Stockwerken war die Bewegung besonders empfindlich; zu ebener Erde aber wurde sie von Vielen gar nicht bemerkt.“

Aus der Natur 59 (1872):

„In dem Dorfe Hottensen bei Göttingen wurde zur Zeit des Erdsturzes der Keller eines nicht am Wasser gelegenen Hauses plötzlich in einer die Bewohner erschreckenden Weise überschwemmt; bald nachher verschwand aber das Wasser von selbst wieder.“

GREBE (1872):

„ ... Starke Bewegung von Gegenständen, die für eine Erschütterung empfänglich sind, als aufgehängten Bildern, Schellenzügen, Glocken von Kronleuchtern. Auffallendes Eindringen von Wasser in einen Keller zu Holtensen.“

GOSSEL (Thüringen)

Gothaische Ztg. (8. 3. 72):

„ ... zw. 3 u. 4. Uhr; Möbel bewegten sich.“

GOTHA (Thüringen)

v. SEEBACH (1873):

„Kurz vor 4 Uhr wurde die hiesige Bevölkerung durch eine Erdschütterung erschreckt. Dieselbe dauerte gegen 5 Sekunden und zeigte sich in mehreren wellenförmig verlaufenden Bewegungen. Die Erschütterung war ziemlich heftig, wurde aber zumeist in den oberen Stockwerken der Häuser gefühlt; Leute, die zu dem angegebenen Zeitpunkte auf der Strasse oder auf freiem Felde sich befanden, versichern, irgend etwas Auffallendes nicht bemerkt zu haben. In den Häusern aber klirrten die Fenster, rückten die kleineren Möbelstücke (Tische, Stühle) von ihren Plätzen, während die grösseren in eine zitternde Bewegung geriethen; die Vögel in den Käfigen flatterten ängstlich hin und her, die Bilder und Spiegel schlugen an die Wände, die Bücher fielen aus ihren Gestellen und in einem Comptoir auf dem Hauptmarkt fiel sogar ein Lehrling von seinem Drehsitze. Auf dem Neumarktsthrum wirkte die Erschütterung so stark, dass die Glocke drei Mal anschlug. (Goth. Tagebl.)

... 3 Uhr 53 Minuten und 10 Sekunden dauernd ... “ (Dorfztg.)
Gotha, 6. März. Heute Vormittag zwischen ½ und 4 Uhr wurde hier

ein ziemlich starkes Erdbeben verspürt. Die Erschütterung welche einige Sekunden anhielt, zeigte sich in 3 rasch aufeinander folgenden Bewegungen, von denen die mittlere so heftig war, daß in den Zimmern die größten Möbelstücke erzitterten, die kleineren aber von ihrer Stelle gerückt wurden. Die Vögel in den Käfigen flatterten ängstlich hin und her, die Bilder schlugen an die Wände; in einigen Straßen sammelten sich die Bewohner, da sie sich in ihren Wohnungen nicht sicher fühlten. Eines ähnlichen Erdstoßes kann man sich hier nicht erinnern. (Weimarische Zeitung, 8. 3. 1872)"

Ähnliche Meldungen in: Gothaische Ztg. (Nr. 57, 7. 3. 1872); Ruhlaer Ztg. (8. 3. 1872); Ruhlaer Wochenblatt (Nr. 21, 9. 3. 1872); Umschau in Thüringen; Jenaische Ztg. (Nr. 57, 7. 3. 1872).

GREBE (1872):

„ ... 3 Uhr 45 Min., 3 Uhr 52 Min., Dauer 10 Sec., 3 Stöße, der mittelste sehr stark. Die Vögel flatterten in den Bauern. Gegenstände, die an der Wand hingen, fielen herab, ein Lehrling von seinem Drehsitz. Die Glocke auf dem Neumarktsturm schlug dreimal an.“

GRÄFENRODA (Thüringen)

Gothaische Ztg. (8. 3. 1872):

„Gräfenroda (¼ 4 Nachm.: Gepolter, Fensterklirren).“

GRAITSCHEN (Thüringen)

Ortschronik von Graitschen:

„Am 6. März hatten wir Nachmittag 4 Uhr ein Erdbeben ... Auf einmal erschallt ein furchtbares Rollen, wie wenn man einen recht schwer beladenen Lastwagen im schnellsten Tempo über das Pflaster fährt. Die Häuser erbeben, Rufe und ... (2 Worte nicht lesbar). Alle Leute stürzten auf die Straße um sich zu fragen: Was war das? Vielen war es, als ob die ... (1 Wort nicht lesbar) des Hauses, in dem sie wohnten, eingestürzt wäre ...“

GREBENSTEIN (Hessen)

GREBE (1872):

„ ... zischendes Geräusch, schaukelnde starke Bewegung, Katzen hoben erschreckt ihre Köpfe in die Höhe.“

GREIZ (Thüringen)

v. SEEBACH (1873):

„Um 4 Uhr ein ziemlich kräftiger Erdstoss in der Richtung von West nach Ost, gegen 4 Secunden andauernd und von starkem rollenden Geräusch begleitet; Möbel werden bewegt, Mörtel bröckelt ab, Risse in den Wänden entstehen, einige besonders empfindliche Schornsteine stürzen ein. (Gen. Anz).

Die k. Telegraphenstation berichtet: ... 3 Uhr 55 Min. (Berliner Zeit) eine Erschütterung, welche sich crescendo verstärkte und mit einem rollenden, donnerähnlichen Geräusch verbunden war; die Wellenbewegung ging von Nordwest nach Südost; verschiedene Gegenstände veränderten gleitend ihren Standort nach Osten hin ... (Werner, K.G.-D.d.T.)

Herr Prof. Liebe schreibt mir noch besonders: Die Wirkung des Stosses ist in Greiz nicht so stark gewesen als bei Gera, Ronneburg, Schmölln, aber immerhin so stark, dass die östliche Mauer des Schlosses, welches auf einem Bergvorsprung von cambrischen Schieferern erbaut ist, mehrere starke Risse erhalten hat ...“

GREUSSEN (Thüringen)

v. SEEBACH (1873):

„Gegen 4 Uhr fühlte ich auf dem Sopha sitzend, nach vorausgegangenem brausenden Geräusche und einigen rasch auf einander folgenden stossweisen Erschütterungen eine von Südost nach Nordost sich fortplanzende, etwa 2–3 Secunden dauernde wellenförmige ziemlich bedeutende Bewegung. Zugleich fing die Schlagfeder der an der entgegengesetzten Wand befindlichen Stutzuhr an zu tönen; wir glaubten zunächst ein Kellereinsturz sei die Ursache. In Greußen wurde der Stoss ziemlich heftig verspürt; die Glockenschalen der Rathhausuhr ertönten, auch die Schellen in den Zimmern ... Unmittelbar nach der Erschütterung kamen grosse Schwärme Tauben, welche auf dem Felde, das bereits bestellt wird, gewesen waren, in eiligem Fluge nach ihren Höfen zurück ... An den Telegraphenapparaten will man nichts Auffallendes bemerkt haben. (Zeitungsausschnitt)“

GREBE (1872):

„Eine Frau fiel vom Sopha.“

GRIMMA (Sachsen)

v. SEEBACH (1873):

„3 Uhr 55 Min. Berliner Zeit /?/ eine 5 bis 6 Minuten /?Sec. / anhaltende ziemlich heftige Erschütterung von SW. nach NO. und begleitet von einem Geräusch, das in den Gebäuden den Eindruck hervorbrachte, als ob ein aussergewöhnlich schwerer Lastwagen über die Strasse führe.“ (Beck, K.G.-D.d.T.)

Ortschronik Grimma:

„Vom Turme der Nicolakirche stürzten Dachziegel, gleichfalls von den Dächern zweier westlich vom Pappischen Thore gelegenen Scheunen. Dort entdeckte man auch einen Riß am Giebel einer der Scheunen, der vordem nicht bemerkt worden war.“

GRONE (Niedersachsen)

v. SEEBACH (1873):

„ ... etwa 3 Uhr 50 Minuten ... In den Häusern sich befindende namentlich sitzende Personen, empfanden eine schaukelnde Bewegung, die auch an den Wänden zu bemerken war. Lose an den Wänden hängende Bilder geriethen in eine pendelschwingende Bewegung, die sich einige Minuten fortsetzte. Die kleine Schlagglocke auf dem Thurme liess sich in einigen schnell aufeinander folgenden Schlägen vernehmen, woraus man schliessen muss, dass dieselbe ebenfalls in eine schwingende Bewegung gerathen war. Personen, die sich im Freien befanden, haben weniger auffallende Bemerkungen gemacht. (Gött. Ztg., 8. März)“

GROSSKOCHBERG (Thüringen)

GREBE (1872):

„ ... 2 Stöße, der erste schwächer, Dauer 6 Sek. Das freiherrlich Steinsche Stammschloss erzitterte stark, die Thurmglöckchen schlugen an und vom Gartenhaus flogen Ziegel ab.“

v. SEEBACH (1873):

„ ... der erste Stoss schwächer als der zweite, beide zusammen etwa 6 Secunden andauernd; die Thurmglöckchen schlugen an und vom Gartenhaus fliegen die Ziegel herunter. (Ztg. Deutschl. Weim. 9)“

GROSSMONRA, Ortsteil Burgwenden (Thüringen)

GREBE (1872):

„3 ¾ Uhr. Schwanken verspürt.“

GROSSBRINGEN (Thüringen)

Ortschronik Pffiffelbach:

„In Großbringen war es einem im Bette liegenden Patienten, daß sein Bett der Länge nach von Süden nach Norden zu stand, als wenn das Bett in dieser Richtung hin heftig geschüttelt wurde, sodaß er vor Schreck aus dem Bette sprang. Im Pfarrhause daselbst war es, als wenn die Esse oder der Keller einstürze. Auch hier schien die Erschütterung von Süden nach Norden zu gehen. Im Gasthause daselbst war es einem Manne, der an dem großen Ofen des Gastzimmers lehnte, als wenn Jemand hinter den Ofen getreten sei und an demselben wackelte, damit derselbe einfielen. Andere Bewohner dieses Ortes hatten ähnliche Befürchtungen, so daß Viele aus den Häusern auf die Straße eilten.“

GRÜNEWALDE (Sachsen-Anhalt)

v. SEEBACH (1873):

„Der verehrlichen Redaction theile ich, für etwaige weitere Benutzung dieser Nachricht, hierdurch ergebenst mit, dass ich gestern Nachmittag kurz vor 4 Uhr eine Erderschütterung in meiner Wohnung wahrgenommen habe. Während eines Geräusches wie das eines schwer beladenen, rollenden Wagens kam plötzlich das Sopha, auf dem ich sass, in eine schwankende Bewegung und ein vor mir am Fenster stehender, elastischer Blumentisch von Drahtgeflecht wurde mehrere Secunden lang so heftig erschüttelt, dass die Blumen mit ihren Zweigen durcheinander fuhren. Eine ähnliche Erscheinung weckte mich vor einiger Zeit im Laufe dieses Winters aus dem nächt-

lichen Schläfe; mir kam dabei zwar sogleich der Gedanke eines Erdstosses, allein ich traute meiner sinnlichen Wahrnehmung zu wenig und mass deshalb dieser mir unerklärlichen Erscheinung weiter kein Gewicht bei. Nachdem sich aber jetzt die Sache am hellen Tage vor meinen Augen wiederholt hat, wo jede Sinnestäuschung ausgeschlossen ist, erinnerte ich mich sofort jener nächtlichen Erscheinung und halte mich für überzeugt, dass dieselbe mit der gestrigen gleichen Ursachen beizumessen sei. (Magdb. Ztg., 8)

/Das in dieser unverändert und wörtlich abgedruckten Notiz ohne nähere Bezeichnung erwähnte Grünewalde, hatte ich in meinem vorläufigen Berichte vom 23. März für Grünewalde Kr. Jerichow II. gehalten, das beobachtete Schallphänomen weist aber wohl auf Grünewalde Kr. Liebenwerda hin./"

GRÜNINGEN (Thüringen)

GIEBEL (1872):

„Heute Nachmittag kurz nach 4 Uhr wurde hier ... eine ziemlich heftige Erderschütterung verspürt. Dieselbe dauerte etwa 3 Sekunden, während die Decken und Wände in den Häusern zitterten, Fenster klirrten und Möbel, selbst schwere Stücke, z. B. eine schwere Nähmaschine, sich hoben und bewegten. Der Schreiber dieses, am Fenster lehrend, wurde etwa einen halben Fuss durch den Stoss fortgeschleudert. Im ganzen Orte liefen die Leute voll Schrecken auf die Strasse, weil sie den Einsturz ihrer Häuser befürchteten, doch hat sich, abgesehen davon, dass der Putz in den Häusern an einigen Stellen abgefallen ist, ein Schade nirgends bemerkbar gemacht.“

GÜSTEN (Sachsen-Anhalt)

GREBE (1872):

„ ... Erst Stoss, dann Beben ... “

HAINSPITZ (Thüringen)

Kirchenchronik Hainspitz:

„ ... Nachdem wir in den ersten Tagen des März durch einen Erdstoß erschreckt wurden, ... “

HALLE/SAALE (Sachsen-Anhalt)

GIEBEL (1872):

„ ... Referent befand sich gegen 4 Uhr genannten Tages in seiner Wohnung in der grossen Steinstrasse zwei Treppen hoch mit Umkleidung beschäftigt, als er ein ziemlich lautes Geräusch in den Räumen der unteren Etage wie wenn Möbel durcheinander geworfen werden, bemerkte. Die Bewohner dieser Räume hatten das gleiche Geräusch über sich wahrgenommen und wie Referent die Absicht gehabt nach der Ursache desselben anzufragen.

Mit meinen Zuhörern in dem Auditor Nr. 11 unseres Universitätsgebäudes damit beschäftigt, Schmetterlinge näher zu untersuchen, fühlten wir ungefähr 7 Minuten vor 4 Uhr eine schaukelnde, mir schwaches Schwindelgefühl verursachende Bewegung, in welchen sich zwei kurz aufeinander folgende Stösse unterscheiden liessen; gleichzeitig knackte es in der südöstlichen Ecke des Saales und ein Stückchen Kalk fiel zur Erde. Von der Seite her, nach welcher die weiten, bei jedem Geräusche stark widerhallenden Räume des Gebäudes liegen – es ist die nahezu nördliche nach der Himmelsrichtung – vernahm ich während der Schwankungen ein dröhnendes Geräusch, dem am ersten vergleichbar, welches ein schwer beladener Wagen beim Fahren auf der Strasse verursacht, während doch in der Umgebung des Universitätsgebäudes keine Wagen fahren. Bald nach dem Phänomen liess sich von derselben Seite her ein heulender Windstoss vernehmen ...

Taschenberg.

Im hiesigen chemischen Laboratorium beschäftigt, bemerkte ich zunächst ein ziemlich starkes Getöse, ähnlich dem beim Herumrücken von Möbeln; indem ich nach demselben hinhorchte, fühlte ich eine eigenthümliche schwankende Bewegung, deren Entstehungsursache mir sofort klar war, als ich meine auf dem Stehpult stehende Lampe sowie ein auf einem Schrank stehendes Licht sich stark hin und her bewegen sah: eine in meiner Stube angebrachte Klingel fing stark an zu läuten.

Ein im Laboratorium arbeitender Student hat beobachtet, dass das Klirren der Flaschen in dem nördlichen Theil des grossen Arbeitssaales begann und sich nach dem südlichen hin fortbewegte (?).

J. Weineck

Photograph Benkert sass in seiner Wohnung, grosse Ulrichsstrasse 3 Treppen hoch, auf einem Stuhle mit den Schultern in der Richtung von Ost nach West. In derselben Richtung schwankte er auf dem Stuhle zweimal hin und her. Die Dauer schätzt er auf 1 Secunde. Ein Geräusch wie von einem vorbeifahrenden schweren Wagen hat er nicht gehört. Man kann dies in der grossen Ulrichsstrasse leicht überhören, weil daselbst sehr viel gefahren wird. Seine Frau war eine Treppe höher im Dachraume beschäftigt. Sie stand mit den Schultern in der Richtung Süd Nord und schwankte in derselben Richtung einmal stark hin und her. Sie will auch ein Geräusch wie von einem schweren vorbeifahrenden Wagen gehört haben.

Dunker

Am 6. h. m. befand ich mich auf der kaiserl. Telegraphen-Anstalt zu Halle in einem Zimmer, dessen Längenausdehnung von Süd nach Nord gerichtet ist. Ich sass dort an einem Tische mit dem Gesicht nach Westen gekehrt, als das Erdbeben bemerkt wurde. Ich konnte genau zwei Stösse unterscheiden, von denen der erstere ganz kurz und schwächer, der zweite, nach einer etwa 1 bis 1,5 Secunde dauernden Pause, der stärkere war. Die Dauer der ganzen Erscheinung mochte 5 bis 7 Sekunden sein. Die Erscheinung trat wenige Minuten vor 4 Uhr (berliner Zeit die 7 bis 8 Minuten nach Hallenser Localzeit) auf. Das Gefühl war einem plötzlichen Schwindel ähnlich, nur war sofort zu bemerken, dass die sonst festen Gegenstände nicht im Kreise zu drehen begannen, wie das beim Schwindel mir passiert, sondern dass ihr Fusspunkt festzustehen schien und sie sich nun pendelnd einander zu bewegten und wieder ab. Ein Einfluss auf die elektrischen Ströme ist hier nicht beobachtet worden, vielmehr wurde in einer kürzeren und in einer längeren Leitung ohne Störung gearbeitet ...

Durch die Lage des Zimmers und meine Stellung darin begünstigt konnte ich die Richtung der fortschreitenden Bewegung im Allgemeinen als die von Süd nach Nord erkennen. (Die Zeitungsberichte nannten sie von SO nach NW) – Circa 1 Sec. vor und 2–3 Sec. nach der ganzen Erscheinung war ein dumpfes Rollen zu hören nicht unähnlich demjenigen, wenn ein schwerer mit leeren Tonnen beladener Wagen auf weichem Boden fährt.

Karrass

Diesen uns direct mitgetheilten Beobachtungen lassen wir nun die Berichte der Hallischen Zeitung (im Schwetschke'schen Verlage) folgen, wie dieselben in mehren Nummern nach einander erschienen.

Halle, den 7. März. Die gestrige Erderschütterung, worüber wir bereits im Hauptblatt berichteten, begann mit einem rollenden Geräusch und zitternder Bewegung, die sich sämtlichen erhabenen Bauwerken ziemlich heftig mittheilte, während auf ebener Erde weniger davon bemerkt wurde. Wie ein Schiff schwankte manches Haus hin und hier, vieles Gebälke krachte, Uhren blieben stehen, Kalk fiel von den Wänden, Statuen, Bilder etc. stürzten zum Theil herab, die Klingeln ertönten und Klingelklöppel, Hängelampen, Kronleuchter etc. waren noch lange in schwingender Bewegung. Im Saale der Volksschule – in dem sich gerade der Hausmann Becker befand – stürzten einige 4-6 Zoll lange, 2 Zoll starke Friesstücke herab. In vielen Häusern wurde ein Hauseinsturz vermuthet. Die Bewohner stürzten auf die Strasse und selbst die Thiere verliessen ängstlich ihren Aufenthalt.“

v. SEEBACH (1873):

„Das 3 Uhr 55 Minuten stattgefundene Erdbeben hat zwar nur einige Secunden gedauert, aber ziemlich stark sich bemerkbar gemacht. Wände, Fussböden und Zimmerdecken geriethen in schwankende Bewegung, welche auch den an den Wänden hängenden und auf Tischen befindlichen Gegenständen sich mittheilte; das unterirdische Geräusch glich dem eines schnell daherfahrenden schweren Wagens ...

Herr stud. math. R. Franz hatte die Güte mir zu schreiben, dass er in seinem Zimmer, 3 Treppen hoch, das Erdbeben sehr deutlich empfunden habe: Es zeigte sich als ein Schwanken des Hauses ... , zuerst machten diese Schwankungen den Eindruck, als wolle das Haus umfallen, d. h. sich unverletzt auf die nach N. gekehrte Seite legen, Die Zahl der Schwankungen kann ich nicht genau angeben, ich glaube es waren zwei oder drei. Die Zeit war 3 Uhr 52 Minuten Hallesche Zeit. Auch Herr Prof. E. Meier theilte mir auf meine Bitte mit, dass er das Erdbeben in seiner zwei Treppen hoch gelegenen Wohnung so deutlich empfunden, dass er sofort seine wahre Natur erkannte, während im ersten Stock das letztere nicht geschah und auf der Strasse befindliche Männer dasselbe gar nicht bemerkten.

Die K. Telegraphenstation berichtet: Es wurden drei kurz aufeinander folgende wellenförmige Bewegungen bemerkt, in Folge deren einzelne Beamte und die in den Zimmern der Station befindlichen

Gegenstände in Schwankungen geriethen. Das dieselben begleitende unterirdische Geräusch hatte mit dem Rollen eines schwer beladenen Wagens Aehnlichkeit. Die Erschütterungen wurden als Wellenbewegungen in der Richtung von Südost nach Nordwest empfunden. Die Erscheinungen traten genau 3 Uhr 58 Minuten Berliner Zeit auf und hatten eine Dauer von ca. 2 Sekunden. (Wagenitz, K.G.-D.d.T.)“

Magdeburger Zeitung vom 7. 3. 1872:

„In allen Theilen der Stadt lebhaft verspürt, Fenster schlugen zu; Gläser, Uhren, Spiegel kamen in schwingende Bewegung. In oberen Stockwerken fielen Stühle usw. um.“

Bernburgische Zeitung vom 9. 3. 1872:

„Ueber die Erderschütterung am 6. d. M. gehen uns noch von gefälliger Hand verschiedene Privatmittheilungen zu. Mülhhausen, Weibenfels, 3 Uhr 57 Min. Nachm., in Halle zu gleicher Zeit, besonders in der Steinstraße und Rathhausgasse.“

ROTH (1872):

„Nach einem vom Oberbergamt in Halle a.S. erstatteten und freundlichst mitgetheilten Bericht trat in dem dortigen Gebiet die Erschütterung zwischen 3 Uhr 51 Minuten und 4 Uhr 1 Minute auf. Sie ist dort von Personen, die sich nicht in Gebäuden befanden, sondern auf freiem Felde und in den Strassen der Stadt aufhielten, mit Zuverlässigkeit nicht bemerkt worden. Auch in den zur ebenen Erde gelegenen Wohnungen war die Erschütterung wenig fühlbar, wohl in den oberen Stockwerken. Personen, die auf dem (aus Porphyroconglomerat bestehenden) Jägerberg in einer mit Steinplatten belegten, offenen Halle zur ebenen Erde sassen, nahmen die Stöße sehr deutlich wahr, während die im nämlichen Gebäude in den Zimmern des Erdgeschosses auf Holzdielen sitzenden Personen gar nichts bemerkten. Nirgend in Halle wurden nennenswerthe Beschädigungen bewirkt. Zimmerglocken schlugen an, die Möbel bewegten sich, offenstehende Thüren und Fenster schlugen zu.

Die Dauer der Erschütterung beschränkte sich auf 3 bis 5 Sekunden. Die Gegenstände erschienen durch einen schräg von unten kommenden Stoss in schwingende Bewegung versetzt. In Halle hatten die Schwingungen die Richtung von Südwest nach Nordost. Die Mehrzahl der Beobachter hörte gleichzeitig ein Geräusch, das dem eines schnell fahrenden schweren Wagens gleich.“

Ruhlaer Wochenblatt vom 9. 3. 1872:

„In ... Halle stürzten Schornsteine ein.“ (fragliche Angabe – Anmerkung des Autors)

HANAU (Hessen)

v. SEEBACH (1873):

„Auf der Marienkirche werden die Gewichtsteine der Uhr, das Schlagseil und die nach der Wächterstube führende Schelle in Bewegung gesetzt. (Frankf. Ztg. 9)“

HANNOVER-LINDEN (Niedersachsen)

GREBE (1872):

„3 Uhr, 55 Minuten (folgende Wahrnehmung – Anmerkung des Autors) Falkenstrasse in Linden, massives Haus, 3. Etage.“

HECHINGEN (Baden-Württemberg)

Ztg. „Deutschland“, Weimar (7. 3. 1872):

„Endlich wird noch aus Hechingen vom 6. März gemeldet: Heute Nachmittag 3 Uhr 45 Min. wurde eine Erderschütterung wahrgenommen, welche in 6 horizontalen von Süd nach Nord gerichteten Schwingungen von rascher Aufeinanderfolge bestand. Die Stöße waren weder von Schallklängen begleitet, noch übten sie auf Luftdruck und Richtung der Magnetnadel merkbar Einfluss aus. Auch hier demnach die Erschütterung nur schwach.“

Ähnliche Angaben bei GREBE (1872) und v. SEEBACH (1873).

HEIDELBERG (Baden-Württemberg)

v. SEEBACH (1873):

„Professor Benecke schrieb mir auf meine Anfrage: Wie immer in solchen Fällen will es dieser und jener gespürt haben, auch sprachen Heidelberger Blätter davon, allein ich weiss nichts bestimmt, als dass ich es nicht gemerkt habe.“

HELDBURG (Thüringen)

v. SEEBACH (1873):

„3 Uhr 35 Minuten nahm man hier zwei Erdstöße wahr. Der erste war der schwächere und dauerte etwa eine Secunde, auf welchem nach einer Pause von 2 Sekunden der zweite heftigere folgte, der etwa 1 ½ Sekunden dauerte. Die Schwingungen verliefen in horizontaler Richtung von Nordost nach Südost und waren beim zweiten Mal so wahrnehmbar, wie das Hin- und Herschwanken in einem im Laufe befindlichen Wagen. Unterirdisches Getöse war mit diesen Erdstößen nicht verbunden. Die bei heftigeren Erderschütterungen beobachteten Erscheinungen: Aufspringen der Thüren, Schwanken der Bilder und Spiegel an den Wänden, Zusammenstossen von Gläsern etc. fehlten ... (Dorfztg. 9)“

HELDRUNGEN (Sachsen-Anhalt)

GREBE (1872):

„Das Gerichtspersonal verlässt das Local, ein festungsartiges Schloss.“

HERZBERG (Niedersachsen)

v. SEEBACH (1873):

„... gegen 4 Uhr einige leichte Erdstöße, welche einige Sekunden andauern. (Zeitungsausschnitt)“

HILDBURGHAUSEN (Thüringen)

GREBE (1872):

„Wenige Minuten vor 4 Uhr. Klingeln schlugen an, Thüren öffneten sich.“

v. SEEBACH (1873):

„4 Uhr ... eine wellenförmige Erderschütterung. Die Wellen schienen sich von S. nach N. fortzupflanzen, da freihängende Gegenstände in der Mittagslinie pendelten. (Dorfztg. 8)

4 Uhr 3 leichte, in einem Zwischenraum von etwa ½ Secunde auf einander folgende Erdstöße von S. nach N.! (Cob. Ztg. 8)“

HÖCHSTADT a.A. (Bayern)

v. SEEBACH (1873):

„Gegen 4 Uhr eine Erderschütterung, welche einige Sekunden andauerte und Möbel in schwankende Bewegung versetzte. (Fränk. Ztg. 9)“

HOF (Bayern)

v. SEEBACH (1873):

„... soeben, 6 Minuten vor 4 Uhr Nachmittags, wurde hier eine Erderschütterung verspürt in der Erscheinung einer circa 5 Sekunden dauernden, anwachsenden, dann wieder abnehmenden und so sich noch einmal wiederholenden, ziemlich intensiven, rollenden, mit dumpfem Geräusch verbundenen Bewegung, welche die Richtung von Norden nach Süden zu haben schien. Schwache Oszillationen waren nachher noch mehrere bemerkbar. Die Stärke der Bewegung lässt sich daraus erkennen, dass von einem auf der Strasse stehenden, mit Kisten beladenen Wagen die oberen Stücke herabgeworfen wurden. (Nürnb. Korr. 7);

Herr Wunderlich in Hof hatte die Güte mir über das Ereigniss zu schreiben: Ich stand ruhig im Freien in meinem Garten ca. 25 Fuss von einem freistehenden Hause nach WNW. ca. 150 Fuss von einem zweiten in einer Strasse gelegenen auf beiden Seiten angebauten nach OSO. Genau in dieser Richtung, also von WNW. nach OSO. gehend, hörte ich plötzlich ein Rauschen, scheinbar über meinem Kopfe hinfahrend, so dass ich unwillkürlich in die Höhe sah in der Meinung, ein Schwarm grosser Vögel streiche in rasendem Fluge über mir weg. Im selben Augenblick fühlte ich unter mir, ich möchte sagen, zwischen meinen beiden Füßen hindurch in derselben Richtung WNW. nach OSO. eine Erdbewegung und hörte zu gleicher Zeit, in einem Zeitraum, in dem man die Worte „Klapp, klapp“ ausspricht, erst die Schiefer des Daches des Hauses WNW., dann jene des Daches des Hauses OSO. klappern. Von keinem anderen Dache war etwas zu hören, obgleich alle anliegenden und angebauten auch Schieferdächer haben. Ein weiterer Beweis für die Richtigkeit der Bewegungslinie WNW. nach OSO. ist der, dass meine Regulatoruhr im Hause WNW., welche rechtwinkelig auf dieser Linie hängt, stehen blieb und zwar auf 3 Uhr 53 Minuten. Diese Zeit wird ziemlich genau

mit Münchener Bahnuhr stimmen; nach Dresdener Zeit 4 Uhr 2 Minuten.“

HOFHEIM (Bayern)

v. SEEBACH (1873):

„Heute Nachmittag dahier in Rügheim, Lindershausen, Schweinshaupten zwei Schwankungen von Süd nach Nord. Zwischenzeit der ersten und zweiten 3 Sekunden. In Hofheim schlugen die Telegraphendrähte zusammen ... (Nürnb. Corresp. 9)“

HOHENSTEIN-ERNSTTHAL (Sachsen)

GREBE (1872):

„In einem Fabriksaal stürzte Kalk von der Decke herab.“

v. SEEBACH (1873):

„4 Uhr 5 Minuten ... mehrere Sekunden anhaltender starker Erdstoss, Oscillation von Süd nach Nord von lautem Rollen begleitet. (K.G.-D.d.T.)“

HOŘIČKY/ČSFR (Kreis Nachod)

KÁRNÍK et al. (1957):

„Vom Gebiete Böhmens liegen Meldungen aus folgenden Ortschaften vor: 4° - ... Hoříčky ...“

HOSTOŮŇ/ČSFR (ehemals Hostau; Kreis Horšovský Tyn)

GREBE (1872):

„Hostau ... 4 Uhr. Kaum 1 Sek. Dauer. Ein unterirdisches Rollen, welches dem Geräusch eines schnell fahrenden Wagens gleich, deutlich vernommen. Das äussere schon alte Mauerwerk bekam gegen Süden mehrere schwache Sprünge.“

HÜNFELD (Hessen)

GREBE (1872):

„ ... $\frac{3}{4}$ 4 Uhr ...“

HUNDHAUPTEN, Ortsteile Markersdorf, Hundhaupten, Schöna (Thüringen)

Ortschronik Markersdorf, Hundhaupten, Schöna:

„Am 6. März Nachmitt. 4 Uhr entstand plötzlich eine heftige Erdschütterung, dass die Häuser zusammenzustürzen schienen, Feueressen wirklich einfielen u. Möbles, wie stehende Menschen schwankten. Sie dauerte nur wenige Sekunden und kündigte sich durch ein donnerähnl. Rollen an. Sie verbreitete sich von Sachsen durch ganz Thüringen. Die Naturforscher leiteten sie ab von dem Zusammensturz einer ausgehöhlten inneren Erdfläche.“

ILMENAU (Thüringen)

v. SEEBACH (1873):

„Die K. Telegraphenstation berichtet: Nachdem eben 3 Uhr 58 Minuten (Berliner Zeit) das Abtelegraphiren einer Depesche beendet war, liess sich mit einem Male ein knisterndes und knackendes Geräusch, wie wenn eine Mauer niedergerissen wird, hören, und Kalk fiel von der Decke. Diese Erschütterungen, die auch an der vorderen Wand (Ostseite) bemerkt wurden, waren zugleich von einem unterirdischen donnerartigen Gemurmel begleitet und liessen sich als Wellenbewegungen von SW. nach NO. erkennen. Das Ganze wirkt so beängstigend, dass der Beamte für einige Zeit das Zimmer verlässt. (Schmidt, K.G.-D.d.T.)“

JÁCHYMOV/ČSFR (ehemals Joachimsthal; Kreis Karlovy Vary)

Zeitung Deutschland, Weimar (7. 3. 1872):

„Aus Böhmen wird berichtet, daß die Erschütterung in Joachimsthal um 4 Uhr 5 Minuten auftrat, ... Der Stoß scheint hier schon sehr schwach gewesen zu sein.“

KÁRNÍK et al. (1957):

„Vom Gebiete Böhmens liegen Meldungen aus folgenden Ortschaften vor: 4° - ... Jáchymov ...“

JENA (Thüringen)

v. SEEBACH (1873):

„Kurz vor 4 Uhr Erdbeben mit unterirdischem Rollen verbunden, 2-3 Sekunden dauernd, von S. kommend und unter welliger Stossbewegung nach O. abziehend. (Jen. Ztg.)

Die K. Telegraphenstation berichtet: Bei zufälligem Aufblicken schien die dem Stationsvorsteher gegenüberstehende nach NNO. liegende Wand im Momente der Erschütterung sich zum Einsturz nach SSW. zu neigen. Gleichzeitig schwankte die nächste sichtbare Telegraphenstange anscheinend in derselben Richtung und in der Dienstwohnung ertönte ohne Veranlassung die Klingel. Infolge der Erschütterung entstanden im Apparatenzimmer zwei Risse, von denen der eine horizontal dicht unter der Decke der nordnordöstlichen Zimmerwand, der andere in der Zimmerdecke dicht über der gegenüberstehenden in gleicher Richtung. Ein gleichzeitig an mehreren Stellen in hiesiger Stadt gehörtes donnerähnliches Geräusch wurde auf der Station (wohl nur) durch ein ungewöhnlich starkes Vibrieren der Leitungsdrähte übertönt und deshalb nicht gehört. Die Erscheinung wurde zwischen 3 Uhr 56 Minuten und 3 Uhr 57 Minuten (Berliner Zeit) bemerkt und notirt. (Leidener, K.G.-D.d.T.)

Herr Hofrath und Professor E. Schmid hatte die Güte, mir über seine persönlichen Wahrnehmungen zu schreiben: Ich befand mich in meinem Garten (am Hause und am Aussenrand der Stadt gelegen), da hörte ich ein, keine volle Secunde andauerndes Geräusch, am ehesten dem Zusammenfallen eines Haufens lose übereinander liegender Steine gleichend. Ich meinte es müsse von S. herkommen und rühre vom Sprengen in dem benachbarten städtischen Felsenkeller her. Meine Gartenarbeiter hatten das Geräusch in ganz gleicher Weise wahrgenommen. Kaum aber hatten wir ein paar Worte mit einander wechseln können, als sich das Geräusch etwas weniger lang und stark wiederholte und zugleich meine Frau und mein Sohn erschrocken aus der Hausthüre traten, um zu fragen, was vorgefallen sei, das Haus habe entsetzlich gezittert; sie kämen eben aus der oberen Etage, weil sie gefürchtet hätten, dort müsse alles übereinander gestürzt sein. ... Herr Professor Schmid fügt hinzu, dass in gleicher Weise auch in anderen Häusern der Erdstoss sich durch Klirren der Gläser und des Porzellans, Schwingen der Bilder und Kronleuchter, Wanken der Tische, Knacken der Fenster, und selbst Türen bemerkbar gemacht habe, während mehrere Collegen, die sich gerade im Freien befanden von dem ganzen Phaenomen nichts wahrnahmen. Nur ein Einsturz, nämlich der eines Schornsteins, 'in einem alledings alten Hause' wurde constatirt.“

GREBE (1872):

„3 Uhr, 55 Min. ... Leutrastraße im zweiten und dritten Stock. Der Kalkputz an der Wand eines Gebäudes stürzte von den blasig aufgetriebenen Stellen herab.“

Jenaische Zeitung vom 7. März 1872:

„Heute Nachmittag kurz vor 4 Uhr wurde unsere Stadt durch erdbebenartige Erschütterungen der Häuser in Schrecken versetzt. Das Erdbeben war mit unterirdischem Rollen verbunden, kam von Süden her und zog unter welligen Stoßbewegungen nach Osten hin ab, seine Dauer mochte 2-3 Sekunden sein ...“

Kirchenchronik von Neunhofen und Lausnitz:

„ ... In Jena stürzte es einige hohe Schornsteine ein.“

JENA-LOBEDA (Thüringen)

Jenaische Zeitung (7. 3. 1872):

„Lobeda, 6. März. Heute Nachmittag um 3 Uhr 50 Minuten wurde auch hier eine Erschütterung wahrgenommen, von welcher in ruckweiser, dröhnender westöstlicher Bewegung die Häuser erzitterten, daß Spiegel und Bilder an den Wänden sich bewegten und die Glöckchen der Rathaus-Uhr erklangen. Diese Erschütterung wurde an den hiesigen Bergen von dort befindlichen Arbeitern noch stärker bemerkt.“

**JESENICE/ČSFR
(ehemals Jechnitz; Kreis Podbořany)**

GREBE (1872):

„Jechnitz. 4 Uhr 2 Min., Dauer 12 Sec., Maueranwurf losgerissen ...“

KAMIENNA GORA/Polen (ehemals Landeshut)

SEEBACH (1873):

„... Landeshut, wurde gegen 4 ½ Uhr in mehreren Wohnungen, bes. aber in dem 4 Stockwerk hohen Wehowsky'schen Hause in den oberen Etagen, eine Erderschütterung wahrgenommen. Dieselbe hielt einige Secunden an und war so heftig, dass Möbel, Oefen etc. in sehr wahrnehmbares Schwanken geriethen. (Bresl. Ztg. 8)“

KARLOVY VARY/ČSFR (ehemals Karlsbad)

v. SEEBACH (1873):

„Karlsbad. Herr Dr. Herzig telegraphirte am 6. März: 4 Uhr 2 Minuten heftige Erderschütterung von beiläufig 5 Sec. Dauer. (Zeitschr. d. Oesterr. Ges. f. Meteor., 1872, Bd. VII., p. 138).

In den Zeitungen hatte anfänglich Marienbad als Ort gestanden (N.f.P.8.)“

GREBE (1872):

„Kurzer aber ziemlich heftiger Erdstoss. Spiegel und Bilder gerieten in Schwanken. Von den Plafonds löste sich der Anwurf ab.“

KÁRNÍK et al. (1957):

„Vom Gebiete Böhmens liegen Meldungen aus folgenden Ortschaften vor: 4° - ... Karlovy Vary ...“

KASSEL (Hessen):

GREBE (1872):

„Der Schreiber dieser Zeilen trat, auf einem Stuhl in seiner Wohnung frei sitzend (das Haus liegt auf der rechten Uferseite der Fulda im Alluvialterrain, die Wohnung befindet sich im zweiten Stockwerk), in die schaukelnde Bewegung ein; er hatte nicht das Bedürfnis, sich an dem vor ihm stehenden Tische festzuhalten. Eine Zeitbestimmung mit astronomischer Genauigkeit zu machen, erlaubten die betreffenden Uhren nicht. Sie ergaben 3 Uhr 41 Minuten. Während des einige Secunden dauernden Schaukelns wurde nicht das geringste Geräusch wahrgenommen. Andern Tags wurden sofort unter den Schülern der Realschule I. Ordnung Erhebungen angestellt, aus denen sich ergab, dass nur 8 bis 9 Prozent derselben etwas verspürt hatten. Die Berichte einiger Secundaner, die in der Schule Donnerstag, den 7. März, zwischen 8 und 9 Uhr Morgens geschrieben sind, ohne dass zuvor eine Beeinflussung durch fremde Nachrichten stattgefunden hatte, mögen hier ihren Platz finden.

Gegen Mittag, 2 Minuten vor ¼ 4 Uhr, empfand ich einzelne starke Stöße, ungefähr 3. Der Spiegel, welcher an der Nordseite der Stube angebracht ist, bewegte sich nach vorn, so dass ich hinlief, um ihn festzuhalten. Ich befand mich in der ersten Etage und glaubte Anfangs, ein Fortbewegen von Kisten im Keller wäre die Ursache. Auch in der zweiten und dritten Etage wurden Wahrnehmungen gemacht, jedoch nicht im Parterre. Das Haus ist drei Stock hoch, aus Backsteinen und steht auf Lehmboden Bahnhofsstrasse 15.

Hs.

Es mochte ungefähr ¾ auf 4 Uhr sein, eine genauere Zeitangabe ist nicht möglich; ein eigentliches Wanken war nicht zu bemerken, sondern es war, als ob ein Wagen vorbeiführe. Das Geräusch schien von der Strasse zu kommen. Ein Magnet von ungefähr 4 bis 5 Loth Eigengewicht, der 1 ¾ Pfund, also fast das Maximalgewicht, trug, liess seine Last fallen. Das Haus (Mönchebergstrasse) ist aus Backsteinen erbaut und steht auf steinigem Grund. Die Keller sind 7 bis 8 Fuss tief.

v.D.

Erdstoss. Zeit: 3 Uhr 41 Minuten. Dauer: 5 bis 7 Secunden. Ort: Bahnhofsstrasse 22. Backsteinbau. Das Haus besitzt doppelte Keller und steht auf eisernen Säulen. Im untersten Keller haben dort befindliche Arbeiter nichts gespürt. Ich bemerkte den Stoss sitzend in der vierten Etage. Scheinbarer Stoss von Südost nach Nordwest. Das Haus steht in Lehmboden.

Kl.

Auf eine in der hiesigen Tagespost veröffentlichte Bitte; mir (L. Grebe aus Kassel; Anmerkung d. Autors) selbst gemachte Beobachtungen über das Auftreten der Erderschütterung gefälligst zukommen lassen zu wollen, sind mir dann noch mannichfache Mittheilungen geworden, für die ich den betreffenden Herren meinen Dank hiermit abstatte.

Aus denselben ergibt sich, dass die Erderschütterung in den verschiedensten Theilen der Stadt, hoch wie niedrig gelegenen, gespürt worden ist. Auch die Längsrichtungen der vom Stoss vorzugsweise betroffenen Häuser haben die verschiedensten Azimute. Ueber die Richtung, aus der die Erschütterung wirkte, herrschen die divergentesten Meinungen. In der Thurmstube des St. Martinsthurms, etwa 160 Fuss über dem Pflaster, befand sich der bejahrte Vater und der Sohn des Thürmers, Herrn Sch. Der alte Mann, welcher in einem Lehnstuhle an der Nordwand sass, wurde nach vorn (Süden) geschleudert und würde gefallen sein, wenn er sich nicht seitlich an einer Bettspanne hätte halten können. Er versichert, der Thurm wäre durch Stosswinde während seiner vieljährigen Amtsführung nie in eine so heftige Bewegung gerathen. Dem Sohn, welcher in ein Rechenheft schrieb, machte der Erdstoss einen unangenehmen Strich durch die Rechnung.

Beamte in dem Bahnhofsgebäude hatten zunächst die Meinung, eine Locomotive sei über die Drehscheibe hinaus auf den Perron gerathen, bis sie sich überzeugten, dass dem nicht so war. Herr Prof. Sp., der auf einem Spaziergang über Wellenkalk sich befand, hat keine Erschütterung, sondern ein ihm anfangs unerklärliches Geräusch wahrgenommen. Herr O., wohnhaft an der Holländischen Chaussee, welcher die Erschütterung bei vollständiger Stille verspürte, hat aus dem Nichtvorhandensein irgend einer Bewegung bei Bildern, die an den Wänden hingen, auf verticale Stösse geschlossen. Herr Schm., in der Nähe der Brüderkirche, will das Knirschen der Steine in den Wänden des Hauses deutlich gehört haben. Aufspringen von Thüren, Anschlagen von Thürglocken, starke Wellenbewegungen des Wassers in Wasserflaschen sind mehrfach bemerkt worden.“

KODYNĚ/ČSFR

(ehemals Neugedein; Kreis Domažlice)

GREBE (1872):

„Neugedein. Schwacher Stoss nur von Einzelnen bemerkt.“

KEHMSTEDT (Thüringen)

v. SEEBACH (1873):

„3 Uhr 49 Minuten Nachmittags, wurde hier in Kehmstedt ein Erdstoss in der Richtung von Ost nach West gespürt, der wohl 6 Secunden andauerte. Das Schulhaus schwankte merklich. (Nordh. Cour. 8)“

KLADNO/ČSFR

KÁRNÍK et al. (1957):

„Vom Gebiete Böhmens liegen Meldungen aus folgenden Ortschaften vor: 4° - ... Kladno ...“

KNAU (Thüringen)

Kirchenchronik Knau:

„Am 6. März Nachmittags 3. 52 Uhr wurde ein heftiger Erdstoß wahrgenommen, aus westlicher Richtung gen Osten hin verlaufend, ... die Erderschütterung ... war ein seltenes Naturphänomen, das seiner Zeit viel Redens von sich machte. Auch hier erschütterten Wände und Fenster.“

KÖLLEDA (ehemals Cölleda; Thüringen)

GIEBEL (1872):

„Cölleda ... Heute 3 ¾ Uhr heftiges Erdrollen in der Richtung von Nordost nach Südwest, so dass Oefen erzitterten und die Thüren derselben klapperten. Das Getöse machte sich in den obern Etagen und auf den Treppen so stark bemerklich, wie in den Tanzlocalen. Die Möbel bewegten sich, das Schreibpult wackelte unter den Händen sowie der Stuhl worauf man sass. Der Rathhausthurm wackelte so stark, dass die Uhr anschlug ...“

KÖNIGSTEIN (Sachsen)

v. SEEBACH (1873):

„Von der Festung Königstein wird berichtet: Nachmittags 4 Uhr 1 Minute Berliner Zeit in dem mit dem Commandantur-Bureau verbun-

denen Telegraphenbureau, welches in der auf steiler Felsenwand liegenden Georgenburg, Nordseite der Festung im Parterre, befindlich ein, einem mässigen Donnerschlage ähnliches Krachen bei ganz klarem Himmel und vollständiger Windstille. Sofort wurde die Stationsuhr abgelesen und unausgesetzt beobachtet. Indess erfolgte in unmittelbarem Zusammenhange mit diesem Donner eine äusserst heftige Erschütterung, wobei ein Wanken der 6 Fuss starken Wände deutlich bemerkbar war. Der Apparattisch neigte sich vollständig und das unter demselben hängende Gewicht nebst Kette geriethen in grössere Schwingungen. Ebenso wurde eine starke Bewegung der Schreibtische, Actenrepositorien, der Stühle etc. beobachtet. Die Erschütterung schien von Süd nach Nord zu gehen und bemerkte man ganz deutlich die wellenartige Bewegung derselben, welche von ihrer anfänglichen Stärke in allmählig schwächer werdende Schwingungen verlief, wobei von Anfang bis zu Ende ein dumpfes unterirdisches Grollen deutlich hörbar war. Die Erschütterung hielt nach genauer Beobachtung der Stationsuhr 45 Sekunden an. (Thalheim, K.G.-D.d.T.)“

KÖNITZ (Thüringen)

Der Stadt- und Landbote v. 12. 3. 1872:

„Leider haben die beiden Erdstöße am 6. März 1872 sehr nachtheilig auf das Comptoirgebäude gewirkt und Ecken und Wände aus dem Lot gerissen.“

KÖTHEN (ehemals Cöthen; Sachsen-Anhalt)

v. SEEBACH (1873):

„Cöthen. Kurz nach 4 Uhr eine starke Erderschütterung in der Hauptrichtung von N. nach S. Sie hielt ca. 1 Secunde an. (Cöth. Ztg.) Es wurde ein Schwanken des Dienstgebäudes der K. Telegraphenstation wahrgenommen. Im Parterre fand ein Zusammenklängen der Batteriegläser statt und im ersten Stock war die Bewegung so stark, dass momentan ein Einsturz des Hauses befürchtet wurde. Ein auf einer Pendüle aufliegender Schlüssel fiel von der Wölbung herab. Die ganze Bewegung war eine schwankende und von einem donnerähnlichen Geräusch nicht begleitet. Die vor dem Fenster des ersten Stockes in nordsüdlicher Richtung gespannten 9 Leitungsdrähte liessen ein Geräusch vernehmen, als sollten sie gewaltsam zerrissen werden. Ein Ruck spannte sie plötzlich an, sie schnellten zurück und vibrirten noch einige Zeit ... Die Zeit konnte nur angenähert auf 3 Uhr 50' bestimmt werden. Die allgemeine Aufregung war eine grosse, besonders am Markte, wo man befürchtet hatte, dass ein daselbst befindliches baufälliges Gebäude eingestürzt sei. Der mit Schuhmacherarbeit beschäftigte Thürmer wäre fast von seinem niedrigen sehr glatten Sessel gerutscht und zwar in südwestlicher Richtung. (Lange, K.G.-D.d.T.)“

KOLMBERG (Bayern)

v. SEEBACH (1873):

„3 Uhr 58 Minuten wurde von den Bewohnern des kgl. Schlosses dahier ein nicht unbedeutender, ungefähr 10 Sekunden andauernder Erdstoss verspürt, in Folge dessen die in den Zimmern befindlichen Gegenstände in Bewegung geriethen. (Fränk. Ztg. 8)“

KRAFTSDORF (Thüringen)

Kirchenchronik Kraftsdorf:

„Am 6. März 1872 fand Nachmittag gegen 4 Uhr eine furchtbare Erderschütterung statt. Kein in hiesiger Gegend Lebender kann sich einer solchen Erschütterung erinnern. Der Stoß kam von Nord=Ost aus und ging nach Süd=West zu und zwar in zwei aufeinander folgenden Stößen, die einige Sekunden dauerten. Alles Geflügel im Hofe wurde scheu. – Mauern bekamen Risse und Ziegeln fielen von den Dächern. Glocken schlugen auf den Thürmen an, so groß war die Bewegung. Quellen blieben aus – und wo sonst keine waren, kamen welche zum Vorschein ... “

KRAUSE (1872):

„Im Anschluß an diese seine eigenen Beobachtungen theilt Herr Seydel (Beobachter aus Gera – Anmerkung des Autors) noch mit, daß man auf den Feldern bei Kraftsdorf, 3 Stunden von Gera, ohne daß das geringste Lüftchen gegangen wäre, urplötzlich die Birken ganz bedeutend habe schwanken sehen ... “

KRALUPY/ČSFR (Kreis Chomutov)

KÁRNÍK et al. (1957):

„Vom Gebiete Böhmens liegen Meldungen aus folgenden Ortschaften vor: 4° ... Kralupy ... “

KRÁSNÁ LÍPA (ehemals Schönlinde; Kreis Rumburk)

Gedenkbuch der Stadt Schönlinde:

„ ... Am 6. März dieses Jahres (1872) nachmittags 4 ½ Uhr erfolgte eine gewaltige Erderschütterung ... “

KRONACH (Bayern)

GREBE (1872):

„4 Uhr, Dauer 5 Sec., Beginn mit dumpfem Rollen, Ende mit heftigem Stoss. Die Häuser wackelten. Sitzung des Bezirksgerichts unterbrochen.“

KROSIGK (Sachsen-Anhalt)

GIEBEL (1872):

„Der ziemlich starke Erdstoss ist in sehr starkem Grade hier am Fusse des Petersberges zu spüren gewesen. Nachdem sich unmittelbar vorher ein heftiger Wind orkanähnlich erhoben, ist nach zwei leichteren ein sehr heftiger Erdstoss in vertikaler Richtung, mehrere Sekunden andauernd, erfolgt, dass Thüren und Fenster geklirrt haben. Möbel in zitternder Bewegung waren und Balken in Gebäuden geknackt haben; selbst das Geflügel im Hofe und in der Luft ist in ängstlicher Bewegung gewesen ... “

KULMBACH (Bayern)

GREBE (1872):

„3 Uhr 50 Min., 2 starke Stöße, Dauer 10 Sek., Schwanken massiver Mauern deutlich wahrgenommen. Tischchen in den oberen Etagen höherer Häuser fielen um. Auf der 400 Fuss höher gelegenen Plassenburg schlugen die Kirchenglocken an.“

KUTZLEBEN, Ortsteil Lützensömmern (Thüringen)

v. SEEBACH (1873):

„ ... auf dem ganzen Höhenzuge der Hainleite wurde die Erschütterung mehr oder weniger heftig gespürt, ebenso in ... Lützensömmern ... (Zeitungsausschnitt)“

KYJOV/ČSFR (ehemals Khaa; Kreis Rumburk)

Gedenkbuch der Stadt Schönlinde:

„ ... Am 6. März dieses Jahres (1872) nachmittags 4 ½ Uhr erfolgte eine gewaltige Erderschütterung, und war dieselbe in ... Khaa am intensivsten zu verspüren; dort ließ sich auch ein bedeutendes Rollen vernehmen ... “

LANGENZENN (Bayern)

GREBE (1872):

„3 Uhr 59 Minuten, Dauer 8 Sec. Sehr heftiger Stoss.“

LAUSNITZ, Ortsteil Kolba (Thüringen)

Ortschronik von Kolba:

„Am 6. März nachmittags gegen 4 Uhr wurden hier wie anderwärts zwei Erdstöße mit unterschiedlichem Getöse verspürt. In den Häusern erzitterten die Oefen und Fenster. Die Rößer wieherten wie von Sinnen.“

LEIPZIG (Sachsen)

v. SEEBACH (1873):

„Professor Bruhns schreibt der Deutschen allgem. Ztg.): 'Der Erdstoss wurde hier in Leipzig um 3 Uhr 55 Minuten Nachmittags bemerkt und dauerte nur wenige Sekunden. Ein heftiges Geräusch, gleichsam wie das Rollen eines schweren Lastwagens, wurde in der Richtung von Südwest nach Nordost wahrgenommen und einzelne Stöße wegen der Schnelligkeit kaum unterschieden. Zufällig standen einige Astronomen an Instrumenten und bemerkten an den Wasserwagen derselben ein Hin- und Herschwanken von etlichen Bogensekunden, die Wasserwagen kamen aber bald wieder zur Ruhe und die

Erschütterung ging dem rollenden Geräusche voraus. Eine Veränderung des Standes der Instrumente, welche gleich in der Neigung untersucht wurden, zeigte sich nicht. Mehrere Personen, die sich in geräuschvollen Strassen befanden, haben nichts von der Erschütterung bemerkt, andere, welche in einem Garten waren, fühlten deutlich das Schwanken des Erdbodens. Personen, die in Häusern waren, haben sämtlich Klirren der Fenster, Klappern der Thüren, Schwanken der Möbel bemerkt und je höher die Wohnung, um so stärker ist die Bewegung gewesen.'

Es war etwa sechs Minuten vor 4 Uhr Nachmittags, als man ein starkes, dumpfes Geräusch wie von einem schwer beladenen Wagen vernahm und unmittelbar darauf ein Schwanken und Zittern von Wänden, Thüren und Fenstern, eine mehr oder minder grosse Bewegung von Möbeln und sonstigen beweglichen Sachen verspürte. Diese Bewegung dauerte etwa 2-3 Secunden mit der Richtung von Süden nach Norden und hatte zur Folge, dass an vielen Orten Kalk von den Wänden fiel, Thüren aufsprangen usw. In dem neuen Theater machte sich die Erdschütterung in starker Weise fühlbar. In einem Hause am Thomaskirchhof wurde 5 Minuten vor 4 Uhr ein Erdstoss von einigen Secunden beobachtet. 'Es donnerte, als ob ein sehr schwer beladener Wagen vorbeiführe, die Fensterscheiben, Gashängelampen, Schränke im Comptoir zitterten.' Eine Mittheilung aus einem Hause der Gustav-Adolf-Strasse lautet: 'Heute Nachmittag 8 Minuten vor 4 Uhr beobachtete ich in meinem Hause einen gewaltigen Erdstoss, mit lebhaftem Geräusch von Südwest nach Nordost und etwa zwei bis drei Secunden andauernd. Wie sich auf sofortige Befragung ergab, sind sämtliche Häuser der Nachbarschaft von dieser Erdschütterung betroffen worden.' Im Hause Querstrasse 16 machte sich der Erdstoss in heftiger Weise dadurch bemerkbar, daß im zweiten Stock die Fenster und Zimmerwände in Bewegung geriethen und ein laut knirschendes Geräusch, wie mit einer Säge, sich hören liess. Leichte Gegenstände auf den Tischen und Schränken geriethen in hüpfende Bewegung. In den hinteren Zimmern vernahm man ein Rollen unter dem Fussboden. In den unteren Etagen war die Bewegung minder heftig. Im Rothen Collegium in der Ritterstrasse vernahm man rollendes Getöse unter dem Fußboden, eine Bewegung nach verschiedenen Richtungen gab sich kund, ein Regulator schlug an. In mehreren Häusern des Gerichtsweges wurde die Erschütterung so stark verspürt, dass die Bewohner vor Bestürzung aus den Häusern eilten.

Vor 4 Uhr erfolgte urplötzlich, von donnerähnlichem Getöse begleitet, ein Erdstoss von ungewöhnlicher Heftigkeit. Einsender dieser Zeilen, in der Braustrasse wohnhaft, bemerkte ein auffallendes Schwanken des Hauses in kreisförmiger Bewegung, Kalk fiel von Decken und Wänden, Bilder und andere hängende Gegenstände schwankten hin und her, leichte Gegenstände geriethen in's Rollen. Allgemeine Bestürzung der Hausgenossen. Uebrigens war bei dem starken Erzittern der Erde eine Reihe von kleinen Stößen deutlich bemerkbar ... (Leipz. Tagebl. 8)“

GREBE (1872):

„3 Uhr 55 Min. Dauer wenige Sec. (Prof. Bruhns). Einzelne Stösse wegen der Schnelligkeit nicht unterschieden. Ein heftiges Geräusch wie das Rollen eines schweren Lastwagens wurde in der Richtung von SW. n. NO. wahrgenommen. Es donnerte als ob ein sehr schwerer beladener Wagen vorbeiführe. Zufällig standen einige Astronomen an Instrumenten und bemerkten an den Wasserwaagen derselben ein Hin- und Herschwanken von etlichen Bogensekunden. Die Erschütterung ging dem rollenden Geräusch voraus. Obwohl die Bewegung um so mehr gespürt wurde je höher die Wohnung war, hat man sie doch auch in Gärten bemerkt. An vielen Orten fiel Kalk von den Wänden, Thüren sprangen auf. Im neuen Theater und im Druckereigebäude des Tageblattes war die Erschütterung in starker Weise fühlbar. Am Thomaskirchhof zitterten die Schränke im Comptoir, die Gashängelampen etc. Aus mehreren Häusern des Gerichtsweges eilten die Bewohner in Bestürzung hinweg.“

Aus der Natur 6, 59, N.F. 47 (1872) 3:

„Am 6. März kurz vor 4 Uhr NM. machte sich in Leipzig und Umgegend ein nicht unbedeutender Erdstoß in der Richtung von N. nach S. bemerkbar, der einige Secunden lang anhielt. Man vernahm ein starkes dumpfes Geräusch wie von einem schweren beladenen Wagen; es schwankten und zitterten Wände, Thüren und Fenster dermaßen, daß viele Bewohner ein Einstürzen der Häuser befürchteten und auf die Straße eilten. Es fiel jedoch nur etwas Kalk von den Wänden, ernstliche Schäden sind nicht zu vermelden.“

LEIPZIG-REUDITZ (Sachsen)

GREBE (1872):

„Es klang als ob ein schwerer Frachtwagen über eine Brücke führe. Oefen wackelten, leichtere Gegenstände hüpfen; man hatte das Gefühl als ob die Häuser einstürzen wollten.“

v. SEEBACH (1873):

„Aus Reudnitz wird folgendes gemeldet: Soeben 3 Uhr 45 Min. wurde hier ein Erdbeben wahrgenommen, in der Richtung von Süd nach Nord, welches über eine Minute währte. In den Häusern hatte man das Gefühl, als wollten sie einstürzen; leichtere Gegenstände hüpfen in den Stuben. Auf der Straße klang es, als ob ein schwerer Frachtwagen über eine Brücke führe.“

LEIPZIG-SCHÖNEFELD

(ehemals Neuschönefeld; Sachsen)

GREBE (1872):

„Neuschönefeld. Stehende Personen fühlten den Boden unter sich in schwankender Bewegung, Sitzende glaubten von den Stühlen fallen zu müssen. Selbst Möbel wurden von ihren Stellen gerückt. Auf allen Stationen der Leipzig-Dresdener Bahn alter wie neuer Linie ist der Erdstoss verspürt worden.“

v. SEEBACH (1873):

„Neuschönefeld, ungefähr sieben Minuten vor 4 Uhr wurde hier ein Erdstoß von ziemlicher Heftigkeit verspürt. Die zwei bis drei Secunden anhaltende Erschütterung war von einem Gepolter begleitet gleich dem eines rasch vorüber donnernden Eisenbahnzuges. Stehende Personen fühlten den Boden unter sich in schwankender Bewegung, Sitzende glaubten von den Stühlen fallen zu müssen. Selbst Meubles wurden von ihren Stellen fortgerückt. (Leipz. Tagebl. 8)“

LEISNIG (Sachsen)

v. SEEBACH (1873):

„4 Uhr 5 Minuten /wohl sicher unrichtig/ ca. 4 bis 5 Secunden andauernder Erdstoss; Fensterscheiben klirrten etc. (Leisn. Anz)“

LEUTERSHAUSEN (Bayern)

v. SEEBACH (1873):

„3 Uhr 55 Minuten wurde ein Erdstoss verspürt, der so bedeutend war, dass Fenster und Thüren klirrten und selbst schwerere Möbel von ihren Plätzen gehoben wurden. (Fränk. Ztg. 8)“

LIBEREC/ČSFR

KÁRNÍK et al. (1957):

„Vom Gebiete Böhmens liegen Meldungen aus folgenden Ortschaften vor: 4° - ... Liberec. ... “

LIBOČANY/ČSFR

(ehemals Liebotschan; Kreis Žatec)

GREBE (1872):

„Liebotschan bei Saaz, circa 4 Uhr. Donnerähnliches Rollen. Bedeutende Erdbewegung. Der Fussboden zitterte unter meinen Füßen; ein im Zimmer befindlicher Glaskasten wurde längere Zeit geschüttelt.“

KÁRNÍK et al. (1957):

„Vom Gebiete Böhmens liegen Meldungen aus folgenden Ortschaften vor: 4° - ... Libočany ... “

LICHTENAU (Thüringen)

Kirchenchronik Neunhofen und Lausnitz:

„Schreiber des Gegenwärtigen befand sich zur Stunde des Stoßes in der Nähe von Lichtenau. Bei seinem Eintritte in den dortigen Gasthof überraschten ihn Freunde mit der Nachricht von dem ihnen sehr bemerkbar gewordenen Erdstoße, der das Haus erschüttert, und im Orte überall wahrgenommen, die Leute auf die Gassen getrieben habe, da sie nicht gewußt, was draußen wohl geschehen sein möge. Die Freunde meinten, die Richtung des Stoßes sei wahrscheinlich von SW gen NO gegangen.“

LICHTENSTEIN (Sachsen)

v. SEEBACH (1873):

„Die K. Telegraphenstation berichtet: Ich befand mich während der Erderschütterung im Freien und hatte rechts von mir auf der Strasse, nach Osten hin, eine Reihe Häuser, links nach Westen, einen Teich. Das erste Phänomen, welches ich als ein aussergewöhnliches beobachtete, war ein gewaltiges Schwingen in der Atmosphäre, welches mich momentan das schnelle Vorbeifliegen eines ausserordentlich starken Schwarmes Vögel vermuthen liess. Kaum dass ich den Eindruck dieses Phänomens erfasst hatte, (immerhin aber darauffolgend) vernahm ich deutlich unter mir ein schnell rollendes Geräusch, welches ich bezüglich des Verhältnisses seiner Intensität zu seinem Entfernterscheinen einmal ähnlich vernommen habe in Graubünden hinter Thufis, da wo der Hinterrhein in engster Thalschlucht, dem Wanderer unsichtbar, sich nur durch ein entferntes dumpfes Rollen und Tosen kund giebt. Die Richtung, in welcher sich dieses unterirdische Geräusch, sowie auch jene Luftbewegung fortzupflanzen schien, war die von Osten nach Westen, mit geringer Abweichung nach der Linie von Süd-Ost nach Nordwest. Dieser Richtung unwillkürlich folgend, sah ich auf dem zur Linken von mir liegenden Teich ein Auf- und Niedergehen der weit ab vom Ufer schwimmenden, noch nicht ganz zerschmolzenen Eismasse, und zwar sah ich den von mir am entferntesten, also vom Mittel der Teichoberfläche nach Westen liegenden Theil der Eismasse zuerst aufsteigen. Eine Erschütterung des Erdbodens konnte ich, weil ich in fortschreitender Bewegung geblieben war, nicht wahrnehmen. Die der ganzen Erscheinung nun folgende heftige stossweise Luftbewegung (Sturm), war anderer Art, als die bei Beginn beobachtete Luftschwingung. Eine Wiederholung der Erscheinung habe ich nicht beobachten können. Ueber die Zeitdauer der Erscheinung vermag ich eine positive Angabe nicht zu machen, nachdem dieselbe vorüber war, zeigte meine mit der Stationsuhr gleichzeitige Uhr 3 Uhr 51 Minuten. Zu bemerken ist noch, dass ein in einem hiesigen Versorgungshaus mit seinem Stubengenossen beim Spulen (einer sehr geräuschvollen Arbeit) beschäftigter, seit vielen Jahren völlig tauber, alter Mann, plötzlich erschreckt seinen nichts ahnenden Mitarbeiter fragte, ob ein starkes Gewitter sei, es müsse eingeschlagen haben, er habe es stark donnern gehört. (Weigel, K.G.-D.d.T.)“

LIMBACH; Kreis Freital (Sachsen)

v. SEEBACH (1873):

„Herr Pfarrvicar Sattler schreibt dem Dresd. Journ.: Heute, den 6. März ..., Nachm. 4 Uhr 5 Minuten erfolgte ein Erdstoss. Die Erschütterung war so stark, dass nicht blos die Fenster heftig klirrten, sondern auch der Stuhl, auf dem ich am Pianino sass, wackelte. Der Herr Pastor hierselbst, der auf dem Vorsaal beschäftigt war, vernahm ein ziemlich starkes donnerähnliches Geräusch dabei, welches auch die anderen Hausbewohner hörten. Die Dauer des Stosses schätze ich auf ca. 10 Sekunden ...“

LIMBACH-OBERFROHNA (Sachsen)

v. SEEBACH (1873):

„Die K. Telegraphenstation berichtet: Zunächst war ein starkes Geräusch, beinah als ob ein grosser schwer beladener Lastwagen mit grösster Schnelligkeit am Stationsgebäude vorübersause, zu vernehmen. Unmittelbar danach und fast gleichzeitig waren mehrere Erderschütterungen, anfänglich schwächere dann aber sehr starke wahrzunehmen. Verbunden mit dem erwähnten Geräusch konnte momentan geglaubt werden, es würden im oberen Stocke des Stationsgebäudes erst kleinere und dann sehr grosse Gegenstände umgeworfen. Es waren deutlich Wellenbewegungen, die von West nach Ost gingen. In der Nähe des Ofens fielen einige allerdings schon zuvor lockere Ziegelsteine aus der Wand. Zeit: gegen 3 Uhr 55 Minuten / Berliner Zeit/. (Teumer, K.G.-D.d.T.)“

LINDEN (Niedersachsen)

v. SEEBACH (1873):

„In einem solide gebauten Hause der Falkenstrasse, haben drei Damen in der dritten Etage den Erdstoss um 3 Uhr 55' so stark empfunden, dass sie das Zimmer verlassen wollten.“

LINDENAU (Thüringen)

GREBE (1872):

„Blumenstöcke sind hin- und hergerüttelt auf einem Blumentisch.“

LITOMĚŘICE/ČSFR (ehemals Leitmeritz)

GREBE (1872):

„Leitmeritz. 4 ¼ Uhr. Mehrere Erschütterungen. Herabfallen von Mörtelstückchen aus alten Mauern. Empfindung in den oberen Stockwerken grösser.“

LOHBURG (Sachsen-Anhalt)

v. SEEBACH (1873):

„Gegen 4 Uhr wurde eine nicht unerhebliche Erderschütterung verspürt. Dieselbe war so stark, dass Personen, welche im Zimmer auf Stühlen sassen, hin und her geschüttelt wurden. In Zimmern stehende Personen wurden derartig geschüttelt, dass sie zu Falle zu kommen glaubten. In mehreren Wohnungen bewegten sich die darin stehenden Möbel vollständig. Selbst ein grosser, auf Rollen stehender Flügel, mindestens 7 Centner schwer, wurde hin und her gerückt, so dass der auf demselben spielende Besitzer erschrocken aufsprang ... (Magdeb. Ztg. 9)“

LÖBAU (Sachsen)

FRIEDRICH (1901):

„In der Lausitz wurde das Erdbeben beobachtet in ... Löbau ... u.a.O.“

LÖBEJÜN (Sachsen-Anhalt)

GIEBEL (1872):

„Heute Nachmittag 3 Uhr 45 Min. wurde hier ein ziemlich heftiger Erdstoss verspürt mit einem Geräusch, das dem Rollen eines schwerbeladenen Wagens glich. Die Erschütterung bewegte sich von Osten nach Westen, dauerte circa 3 Sekunden und brachte in verschiedenen Wohnungen leichtbewegliche Gegenstände zur Erschütterung ...“

LÖBICHAU (Thüringen)

v. SEEBACH (1873):

„... so heftig, dass er auf dem Gut eine Menge Glaszeug und in der Apotheke eine grosse Anzahl Arzneiflaschen zertrümmert; Oligocänen auf Tentaculitenschiefern. (Prof. Liebe)“

LÖBICHAU, Ortsteil Beerwalde (Thüringen)

v. SEEBACH (1873):

„Graptolithenschiefer; die Bauern, die auf dem Felde waren, sagen, es sei gewesen, als sänke das Beet, auf dem sie gestanden, ¼ tief hinab. Namentlich an den Erlen des Baches sah man den Stoss sehr gut und zwar auch /scheinbar/ nach SW zu. (Prof. Liebe)“

LOHBERG (Bayern)

SPONHEUER (1952):

„Mit dem Stärkegrad IV wurde das Beben gespürt in ... Lohberg ...“

LOVOSICE/ČSFR (ehemals Lobositz)

GREBE (1872):

„Lobositz. 4 Uhr 20 Min., 2 Stöße, Dauer 5 Sek. Nicht unbedeutende Erderschütterung.“

KÁRNIK et al. (1957):

„Vom Gebiete Böhmens liegen Meldungen aus folgenden Ortschaften vor: 4° - ... Lovosice ...“

LOZICE/ČSFR (Kreis Vysoké Mýto)

KÁRNIK et al. (1957):

„Vom Gebiete Böhmens liegen Meldungen aus folgenden Ortschaften vor: 4° - ... Lozice ...“

LUBAŃ/Polen (ehemals Lauban)

v. SEEBACH (1873):

„Lauban, wurde das Erdbeben so stark empfunden, dass die Glocken des Rathhausturms anschlugen, Dauer etwa 1 Minute, Zeit 4 Uhr 21. (Schles. Ztg. 8)“

LÜBBENAU (Brandenburg)

v. SEEBACH (1873):

„4 Uhr 5' besonders in mehrstöckigen Häusern verspürt; Dauer ca. 5". Die Bewegung schien eine wellenförmige, von Westen nach Osten gehende zu sein, und war schliesslich so heftig, dass in den oberen Stockwerken vieler Häuser die Wände schwankten und die in den Zimmern befindlichen Geräthschaften in Bewegung geriethen; im hiesigen Rathhause hat man selbst solches in erheblicher Weise wahrgenommen. Einzelne im Freien befindliche Personen wollen in der Ferne ein dumpfes Rollen gehört haben. (Spen. Ztg.)“

LÜCKENDORF (Sachsen)

FRIEDRICH (1901):

„In der Lausitz wurde das Erdbeben beobachtet in ... Lückendorf ... u.a.O.“

LUGAU (Sachsen)

v. SEEBACH (1873):

„... sehr stark, die Tauben fliegen sofort von den Dächern auf. (Chemn. Tagebl.)
In einem Zimmer des Bahnhofs fiel der Kalk von der Decke. (Lpzg. Tgbl.)“

LWÓWEK SLASKI/Polen (ehemals Löwenberg)

v. SEEBACH (1873):

„Löwenberg, 4 Uhr 10' als eine wellenförmige Bewegung in der Richtung von West nach Ost von ungefähr 1' Dauer. Einstimmig wurde in den Zimmerdecken ein bedenkliches Prickeln des Mörtels, an Möbeln, Bildern, Spiegeln etc. ein Schwanken wahrgenommen ... (Schles. Ztg.)“

MAGDEBURG (Sachsen-Anhalt)

v. SEEBACH (1873):

„Sanitätsrath Dr. Fischer beobachtete kurz vor 4 Uhr deutlich ein viermaliges, etwa 2–3 Secunden dauerndes, geräuschloses Schwanken des Fussbodens und der Zimmerwände und zwar in der Richtung von ONO. nach WSW., während kein Wagen vorüber fuhr und keine Thüre geworfen wurde. Eine Bewegung der Kronleuchter fand nicht statt. Vielfach wurde ein Bewegen der Pulte, Thüren etc. bemerkt. (Magdeb. Ztg. 8)“

Magdeburger Zeitung (7. 3. 1872):

„Auch hier in Magdeburg war gegen 4 Uhr ein Erdbeben, welches einige sec lang anhielt und namentlich in den höheren Stockwerken ziemlich stark empfunden wurde.“

Magdeburger Zeitung (8. 3. 1872):

„... In der oberen Stube eines Hauses geriet ein Kinderwagen in Bewegung, so daß die Frau aus dem Hause lief, weil sie glaubte, das Haus stürze ein ...“

MARBURG (Hessen)

v. SEEBACH (1873):

„... gegen 3 ¼ Uhr eine Erderschütterung. In dem Bibliotheksaaale krachten die Bücherbänke; in einem Hause vor dem Barfüsserthore schlugen die Spiegel an die Wände, und die Hausbewohner glaubten zu bemerken, dass die Stösse von Westen nach Osten gingen; ein Herr fühlte beim Schreiben sehr deutlich die Bewegung seines Stehpultes u.s.w. u.s.w. (Marb. Ztg. 7)“

MARIANSKÉ LÁZNĚ/ČSFR

KÁRNIK et al. (1957):

„Vom Gebiete Böhmens liegen Meldungen aus folgenden Ortschaften vor: 4° – ... Mar. Lázně ...“ (siehe auch bei Karlovy Vary – Anmerkung des Autors)

MARKLEUTHEN (Bayern)

GREBE (1872):

„¾ 4 Uhr. Starke Erderschütterung mit starkem dumpfem Donner. Tische und Schränke bewegten sich. Personen hatten Mühe, sich auf den Füßen zu erhalten.“

MEERANE (Sachsen)

GREBE (1872):

„Die Beamten der Bahnstation flüchteten ins Freie, es zerbrachen einzelne Fensterscheiben. Einige grössere Fabriken wurden sofort geschlossen. Die arbeitenden Mädchen sprangen in einer derselben erschreckt aus den Fenstern, wobei eines einen Beinbruch erlitt.“

v. SEEBACH (1873):

„Die K. Telegraphenstation berichtet: Bei dem sofort nach der Katastrophe erfolgten Eintritt in das Apparatenzimmer (der Dienstthuende Beamte hatte sich vor Schrecken geflüchtet) war an den Galvanoskopien keinerlei Veränderung wahrzunehmen, die Apparate arbeiteten ruhig. Dem Erdstosse ging ein donnerartiges Geräusch voraus, welches von oben herab zu kommen schien und den Eindruck machte, als ob das Haus einstürzen wollte. Die Erschütterung war eine etwa 10 Secunden andauernde sehr bedeutende wellenförmige Schwankung von OSO. nach WNW. 3 Uhr 57 Minuten /Berliner Zeit/ (Jäffing, K.G.-D.d.T.)

Das Meer. Tgbl. meldet ... dass mehrere Arbeiterinnen der mechanischen Webfabrik C.F. Schmieder & Co. vor Schrecken aus dem ersten Stockwerk durch das Fenster sprangen, wobei eine von ihnen leider einen Beinbruch erlitt. Mehrere grössere Fabriken wurden sofort geschlossen, um bei etwaiger Wiederholung der Erdstösse grösseres Unglück zu verhüten. (Dresd. Journ.)“

MEHLTHEUER (Sachsen)

GREBE (1872):

„Ein alleinstehendes Haus nahm plötzlich eine schiefe Lage an.“

MEININGEN (Thüringen)

Dorfzeitung (8. März 1872):

„Meiningen, 6. März. Wir saßen ganz friedlich in einem Zimmer des Hotels Culmbacher, als Nachmittags 10 Minuten vor 4 Uhr die Wände erzitterten, die Stühle und Tische sich bewegten, die Gläser zusammenfuhren und der Kronleuchter hin und her schwankte. Dieselben Wahrnehmungen wurden in der ganzen Stadt gemacht ...“

v. SEEBACH (1873):

„... Die K. Telegraphenstation berichtet: In dem zu ebener Erde gelegenen Stationslocale wurde nichts wahrgenommen. Dagegen ist nach sofortiger Mittheilung in der eine Treppe hoch befindlichen H.L. Creditanstalt 3 Uhr 55 Minuten Berliner Zeit die erste und einige Secunden später die zweite Erschütterung, jedoch ohne Begleitung eines donnerartigen Geräusches, bemerkt worden. Dieselbe war so stark, dass die Actenrepositorien in eine stark rüttelnde Bewegung geriethen und die aus den Thüren eilenden Beamten einen Schornsteineinsturz vermutheten. Der vor seinem Tisch sitzende und nach W. sehende Director sah das vor ihm hängende Thermometer längs des Tischaufsatzes nordsüdlich pendeln, wesshalb die Bewegung dieser Richtung angenähert gewesen sein muss. (Eberlein, K.G.-D.d.T.)“

MEISSEN (Sachsen)

v. SEEBACH (1873):

„... punkt 4 Uhr wurde hier eine 3–4 Sec. anhaltende, von Südost nach Nordwest gerichtete bedeutende Erderschütterung wahrgenommen. Personen, auf Stühlen sitzend, geriethen in vor- und rückwärts gehende Schwankungen, Meubels und Wände erzitterten und im Bahnhofsgebäude soll ein Stück Zimmerdecke eingestürzt sein. (Meissener Tagebl. 6)

Auf der k. Telegraphenstation wurde nur eine 4–5 Secunden anhaltende, von unterirdischem donnerartigem Geräusche begleitete Erschütterung, anscheinend von Nordwest nach Südost bemerkt. Das ziemlich in dieser Richtung schwingende Stations-Chronometer blieb nicht stehen. Gegenstände fielen nicht um, dagegen bewegten sich die Stühle, der Schreibtisch, sowie ein am Tisch hängendes eisernes Lineal klirrend in der angegebenen Richtung. Zeit 4 Uhr 1 Minute Berliner Zeit.

Passanten am hiesigen Marktplatze bemerkten nachher Risse im Steinpflaster. In den höher gelegenen Theilen der Stadt wurde die Erschütterung stärker wahrgenommen als in den niedern. Der Wasserspiegel der Elbe soll die Wellenbewegung der Erde getheilt haben. Der Schornstein eines Hauses, sowie Mauerkalk und Deckenbekleidungen in anderen Gebäuden, sind herabgefallen ... (Köhler, K. G.-D.d.T.)"

Aus der Natur 59 (1872):

„In Meißen erweiterte sich der Mauerriß im Stadtturm in Folge des Erdstoßes. Auf dem Wasserspiegel der Elbe wurden dieselben Erscheinungen beobachtet wie auf dem Festlande.“

MELAUNE (Sachsen)

v. SEEBACH (1873):

„Hier wurde der Stoss am Post-Chronometer (Regulatoruhr) durch Herrn Postexpediteur Petrik um 4 Uhr 6' (d.i. 4 Uhr 14' Breslauer Zeit) beobachtet. (Ob. Bergrath Prof. Websky)“

MENNSDORF (Thüringen)

v. SEEBACH (1873):

„Ein Brunnen versiegte und ein anderer, der schon seit Jahren allmählich verloren, wurde plötzlich wieder voll. Tentaculitenschichten mit Diabasen. (Prof. Liebe)“

MERXLEBEN (Thüringen)

v. SEEBACH (1873):

„... genau 3 $\frac{3}{4}$ Uhr eine nicht unerhebliche Erderschütterung, die mindestens 2 Sekunden dauerte ... Möbel, Gasröhren etc. schwankten usw.; ebenso in Merxleben. (M. Ztg. 8)“

MEYENDORF (Sachsen)

Magdeburger Correspondent (ein nicht näher bezeichneter Zeitungsausschnitt – Anmerkung des Autors):

„Zwei anlehndend Sitzende im Zimmer hatten das Gefühl, heftig hin und her geworfen zu werden. Ein hier frei Sitzender bemerkte nichts.“

MLADÁ BOLESLAV/ČSFR

KÁRNÍK et al. (1957):

„Vom Gebiete Böhmens liegen Meldungen aus folgenden Ortschaften vor: 4° – ... Mlada Boleslav ...“

MÜHLBERG (Sachsen-Anhalt)

v. SEEBACH (1873):

„Nachmittag 4 Uhr wurden die Bewohner Mühlbergs durch einen gewaltigen Erdstoss in Schrecken versetzt. Die Möbel in den Häusern geriethen in Schwanken, die Mauern erbebten und zitterten, man hörte in allen Räumen knistern, poltern und krachen, als ob die Gebäude zusammenbrechen wollten. Viele Bewohner eilten auf die Strasse, weil sie den Einsturz ihrer Häuser befürchteten und erst dann wurde die Aufregung gedämpft, als man darüber sich klar wurde, dass ein kurzer, einige Sekunden dauernder, Erdstoss stattgefunden habe. Die Wirkung desselben hat sich in den einzelnen Gebäuden stärker und schwächer gezeigt; in einer Mauer des königlichen von dem Haupt-Steueramt und der Kreisgerichts-Commission benutzten Schlosses ist ein starker Riss wahrnehmbar; in mehreren Häusern fielen Kalk und einzelne nur lose befestigte Gegenstände von den Wänden herab. In dem drei Stock hohen Schulgebäude war die Erschütterung in den obersten Räumen so bedeutend, dass eine daselbst wohnende Lehrerrfrau als besorgte Mutter ihre Kindlein um sich scharte und den Einsturz des Hauses fürchtend, eiligst mit denselben das Letztere verliess. Personen, welche zur Zeit des Erdstoßes ausserhalb der Stadt im Freien sich befanden, haben deutlich ein starkes Geräusch, dem Rollen des Donners in der Ferne ähnlich, momentane heftige Windstöße und Wellenschlag auf der Elbe wahrgenommen.

Hiermit stimmt auch der Bericht der K. Telegraphenstation überein, nach welchem genau 3 Uhr 55 Minuten zwei von unterirdischem donnerartigem Geräusche begleitete wellenförmige Erschütterungen von Südwest nach Nordost wahrgenommen wurden. Die stehengebliebenen Pendeluhrn schwingen ostwestlich. (Uhlig, K.G.-D.d.T.)“

MÜHLHAUSEN (Thüringen)

v. SEEBACH (1873):

„Nachmittag $\frac{3}{4}$ 4 Uhr ... ein Erdstoss. Hauptsächlich in der Oberstadt haben die Möbel geschwankt und die Fenster geklirrt, am Krankenhaus sind die Leute erschrocken auf die Strasse geflüchtet, während wir in der Unterstadt nichts gemerkt haben und erstaunt und fast wie eine Mär die Nachricht von einer so beängstigenden Naturscheinung vernehmen, welche seit vielen hundert Jahren hier nicht beobachtet worden ist. (M. Ztg. 7)

7. März. Am gestrigen Nachmittag in meinem im 2. Stock des Hauses befindlichen Zimmer sitzend, empfand ich plötzlich, um $\frac{1}{4}$ vor 4 Uhr, zwei von Osten nach Westen gehende Stöße, welche das ganze Haus erbeben machten, so, als ob mit ausserordentlicher Gewalt gegen die Grundmauern geschlagen würde. Ich konnte mir die Ursache dieser gewaltigen Erschütterung nicht erklären, bis ich endlich durch das Zusammenlaufen der Menschen auf der Strasse in Erfahrung brachte, dass diese Erschütterungen hier allseitig bemerkt worden seien. Namentlich ist dies in dem nördlich gelegenen Theile der Stadt der Fall gewesen, indem in einzelnen Häusern bedeutende Schwankungen beobachtet worden sind; dabei hat man auch Klirren der Fenster, Bewegungen der an Wänden hängenden Schlüssel und der auf Tischen liegenden oder stehenden Gegenstände wahrgenommen. Wie versichert wird, hat man auch ein Anschlagen der auf dem Kornmarktsturm befindlichen Glocke der Stadtuhr gehört. (Zeitungsausschnitt)

Der Erdstoss trat ein um 3 Uhr 59 Minuten Berliner Zeit und bestand aus einem kräftigen Stosse ohne Schallphänomen. Die Erschütterung war eine Wellenbewegung ... Diese wurde daraus erkannt, dass eine ... frei schwebende Röhrenleitung, deren einzelne Glieder nicht fest mit einander verbunden, sondern deren Enden nur lose übereinander geschoben worden waren, durch die Erschütterung an einer Stelle ca. 3 Zoll auseinander gezogen, die Röhrenleitung aber aus ihrer Richtung seitlich nicht hinausgedrängt wurde. (Gräger, K.G.-D.d.T.)“

Mühlhäuser Anzeiger vom 7. 3. 1872:

„Soeben, 3 $\frac{3}{4}$ Uhr Nachm., wurde mehrseitig eine ziemlich heftige Erderschütterung empfunden; Schreiber hörte in der ersten Etage seines Zimmers Fenster und Lampen klirren und fühlte auf seinem Stuhle mehrere Sekunden ein merkliches Hin- und Herschwanken.“

MÜNCHENBERG (Bayern)

v. SEEBACH (1873):

„4 Uhr 5 Minuten unter donnerähnlichem Getöse ein ca. 4 Sekunden andauernder Erdstoss, sodass das ganze Haus und die Möbel im Zimmer schwankten, der Stoss kam von Nordwest und verlor sich wellenförmig nach Südost. (Augsb. Abendztg. 8)

Nach anderen Quellen um 4 Uhr 7 Minuten Stadtuhr oder ca. 3 Minuten vor 4 Uhr Bahnzeit.“

GREBE (1872):

„4 Uhr 7 Minuten Stadtuhr, 3 Uhr 57 Minuten Bahnuhr. Bedeutender Erdstoss mit donnerähnlichem unterirdischem Getöse.“

MÜNCHEN (Bayern)

v. SEEBACH (1873):

„... wurde der Erdstoss nur sehr schwach verspürt. (Augsb. Abdtg)

T. 9. März. Wenngleich etwas spät, so halte ich es doch für meine Pflicht, Ihnen über die am 6. Nachmittags kurz vor 4 Uhr auch hier wahrgenommene Erderschütterung Mittheilung zu machen, um solche zur Kenntniss der Oeffentlichkeit kommen zu lassen, zumal bis jetzt von hier keine Beobachtungen in die Oeffentlichkeit kamen. Die Erderschütterung bestand in einer deutlich von Osten nach Westen fortschreitenden, wellenförmigen Bewegung, welche mehrere auf einem Tische liegende Papierrollen in Schwanken brachte und ein höchst unangenehmes Gefühl der Unsicherheit bei Allen, die die Erscheinung beobachteten, hervorrief; durch einen vorbeifahrenden Wagen war die Erschütterung nicht hervorgebracht, dazu war die Bewegung zu eigenartig und auch kein solcher, wie wir uns sofort überzeugten, auf der Straße vorhanden. Verstärkt mag die an und für sich vielleicht sehr schwache Bewegung dadurch geworden sein, dass der Ort der Beobachtung ein im 4. Stock, also sehr hoch gelegenes Bureau war. Das ganze Phänomen dauerte etwa zwei Sekunden. (Fränk. Ztg. 8)

Dagegen hatte Herr Ob. Bergr. Prof. Gümbel die Güte mir am 17. März aus München zu schreiben: Was die Nachricht anbelangt, dass das Erdbeben auch hier wahrgenommen worden wäre, so haben alle meine Forschungen in dieser Richtung nur das negative Resultat, dass keine Wahrnehmung constatirt ist. Auch Lamont auf der Sternwarte weiss von keinen Anzeigen einer Erschütterung.“

MÜNCHENBERNSDORF (Thüringen)

v. SEEBACH (1873):

„4 Uhr eine mehrere Secunden andauernde Erderschütterung; Klingen läuten und Häuser wanken, die Bewohner stürzen erschrocken auf die Strasse.“ (Weim. Ztg. 8)

NARSDORF (Sachsen)

v. SEEBACH (1873):

„... in der Bahnhofsexpedition konnte man kaum auf den Füßen stehen. (Leipz. Tagebl.)“

NAUMBURG (Sachsen-Anhalt)

GIEBEL (1872):

„Heute Nachmittag 3 Uhr 50 Min. wurde hier eine ziemlich heftige, etwa 5 Secunden währende Erderschütterung in der Richtung von Süd-Ost nach Nord-West verspürt. Nach den übereinstimmenden Aussagen aller derer, die das Phänomen bemerkt haben und nach meiner eigenen Beobachtung war die Erschütterung eine wellenförmige und von einem dumpfen Rollen begleitet, als wenn ein schwer beladener Wagen rasch über das Pflaster hinführe. In den Häusern schwankten Gläser, Flaschen, Kaffeetassen u.s.w. auf den Tischen merklich hin und her, und die Bilder an den Wänden geriethen gleichfalls in schaukelnde Bewegung. Personen auf Stühlen und Sofa's wurden emporgehoben und hin- und hergeschüttelt; mehrere bettlägerige Kranke haben sich festhalten müssen, um nicht aus dem Bett zu fallen. Im Allgemeinen wurde die Bewegung in den höheren Stockwerken stärker verspürt als in den untern. Von Personen, die sich gerade auf der Strasse befanden, ist sie weniger wahrgenommen worden, doch wurde sogar ein Postbote auf der Strasse umgeschleudert. Interessant sind die Angaben des Domthürmers. Die kranke Frau desselben hat schon einige Minuten, bevor die Uebrigen etwas bemerkten, eine Erschütterung verspürt und ängstlich gefragt, was sich nur bewege. Während des Phänomens haben die Domthürme sichtlich geschwankt, eine kleinere Glocke hat in Folge der Schwingungen angeschlagen und die Gewichte der Thurmuhr haben sich ineinander verschlungen. In der Thurmstube geriethen zum grössten Schrecken der Anwesenden alle Möbel und Geräthschaften ordentlich in eine hüpfende Bewegung und der Thürmer selbst, welcher gerade mit Zeitungslesen beschäftigt war, wurde von seinem Stuhle zu Boden geworfen, so dass alle geglaubt haben, es ginge zu Ende. In vielen Häusern meinte man, Dach oder Keller sei eingestürzt, und eilte erschrocken auf die Strasse. Dass verschiedene altersschwache Schornsteine und Oefen in sich selbst zusammengefallen sind, braucht wohl nicht besonders bemerkt zu werden. Die auf den Dächern sitzenden Tauben flogen bei Beginn der Erscheinung scheu in die Höhe, flatterten ängstlich in der Luft herum und liessen sich erst wieder nieder, als alles ruhig war. Die Bahnhofsbemanten waren bei dem Getöse sämmtlich auf das Perron geeilt, da sie glaubten, ein schwerbeladener Güterzug führe unangemeldet in den Bahnhof ein. Auf die Telegraphenleitung hat das Phänomen, so viel uns bekannt, keinen Einfluss gehabt.“

v. SEEBACH (1873):

„Um 4 Uhr ein Erdstoss, mehrere Secunden während, von einer solchen Heftigkeit, dass jeden das Gefühl beherrschte, sein Haus falle in sich selbst zusammen. Die Gebäude bewegten sich in der That sichtbar, Geschirr, das auf den Tischen sich befand, stürzte um. Besonders intensiv wurde der Stoss in tiefer liegenden Häusern empfunden. Alles ist auf den Beinen und es herrscht allgemeine Bestürzung. (Magdeb. Ztg. 8)“

NAUNDORF (Sachsen-Anhalt)

v. SEEBACH (1873):

„... In dem eine Stunde von hier (Annaburg – Anmerkung des Autors) entfernten, südlich gelegenen Dorfe Nauendorf beobachtete man gleichfalls die Erschütterung ...“

NEBRA (Sachsen-Anhalt)

GIEBEL (1872):

„Heute, 4 Uhr Nachmittags, wurde hier und in der Umgegend ein Erdstoss verspürt, der für die Dauer einer Secunde die Gebäude so erschütterte, dass in dem Zimmer des Einsenders Blumenäschel auf einem Blumentische zusammenklirrten und die Blumen lange in zitternder Bewegung blieben, dass auf dem Boden, wo eine Person sich befand, einzelne Stücke Kalk vom Dache sich lösten und herabfielen, und die Balken des Daches erzitterten. Aehnliche Bemerkungen wurden auch von anderen Personen hier und in der Nähe gemacht.“

NĚMECKÉ JABLONNÉ/ČSFR (ehemals Deutsch Gabel; Kreis Liberec)

GREBE (1872):

„Gabel. Die 17 Centner schwere Werthheimsche Casse in der gräflichen Rentamtskanzlei bebte.“

NESSA, Ortsteil Obernessa (Sachsen-Anhalt)

GIEBEL (1872):

„Heute Nachmittag, 5 Minuten nach 4 Uhr hatten wir hier ein Erdbeben, wie ich eins dergleichen (ich bin 64 Jahre alt) noch nie erlebt habe. Auf einem Stuhle neben einem Flügel, worauf ein Knabe spielte, sitzend, ward ich etwa ½ Minute lang so in die Höhe gehoben, dass ich wähnte, die Dielen hoben sich ein Paar Zoll hoch und senkten sich sehr schnell eben so tief. Nach Beendigung des Erdbebens sass ich wirklich vom Instrumente einige Zoll entfernter, als vorher. Während des ganzen Actes kam es mir vor, als wenn an alle Thüren im Hause mit Hämmern geschlagen würde, so dass das Wagengerassel ein Nichts dagegen war. Ich lief sofort in die Nebenstube über die Hausflur zur Herrschaft, einem Gutsbesitzer. Derselbe hatte auf dem Gestein von der Erschütterung bei seiner Beschäftigung nichts gespürt, sondern nur das Gerassel gehört. Seine Frau und Tochter hingegen, welche in der Nebenstube waren, wurden ebenso auf ihren Stühlen gerüttelt, wie ich am Flügel. Wir liefen alle sogleich auf die Strasse, wo wir mehrere Frauenspersonen antrafen, welche uns fragten, ob wir auch so, wie sie, gehoben und gerüttelt worden wären. Von da gingen wir in den Garten, welcher hinter der Scheune liegt, und hörten von den zwei daselbst arbeitenden Mägden, dass der Putz in kleinen Stücken von der Gutscheune und der Nachbarscheune gefallen sei, die Bäume sich aber sehr bewegt hätten und die Erde hin und her gerüttelt habe ... Nachträglich sei noch erwähnt, dass mehrere Personen, selbst im entferntesten Theile des Dorfes dasselbe erfahren haben und die Thurmuhr, welche stillstand, geschlagen habe. Lorenz, Lehrer.“

NEUDIETENDORF (Thüringen)

Ruhlaer Wochenblatt (9. 3. 1872):

„In ... Dietendorf ... liefen viele Bewohner ängstlich aus ihren Häusern; ...“

Ruhlaer Ztg. (8. 3. 1872):

„In ... Neudietendorf ... liefen viele Bewohner voller Angst aus den bedrohlich wankenden Häusern auf die Straße.“

NEUNHOFEN (Thüringen)

Neustädter Kreisbote (9. 3. 1872):

„Bald nach 4 Uhr Nachmittags dröhnte es, als ob ein schwerer Wagen eilig auf der Chaussee dahinfahre! Plötzlich aber wankte der Boden unter den Füßen, er gerieth in deutlich sichtbare Bewegung, die sich sofort den Gegenständen auf demselben mittheilte: Gesträuch und Buchsbaum im Garten schwankte, im Gebäude machten Spiegel, Uhr und Bilder bedenkliche Ausschreitungen, sogar der sonst so solide Ofen revoltirte. Wahrhaft schaurig-schön benahm sich aber der alte, spitze Kirchturm: er schüttelte sich, wie ein wütend gewordener Löwe, seine Mähne und drohte, sämmtliche Schiefer klappernd herabzuwerfen! Auffallend war auch das Gebahren der Hüfner vor Eintritt der Katastrophe: Ihren gewöhnlichen Geschäften im Hofe nachgehend, reckten sie plötzlich den Kopf empor und schrieten, als ob ein Raubvogel in der Nähe, oder ein fremder Hund ins Gehöfte gedrungen wäre. Ich konnte aber etwas Verdächtiges nicht bemerken – und zwei Minuten danach ertönte das Erdbeben! ...“

Kirchenchronik Neunhofen und Lausnitz:

„Am 6. März, ... ward Nachmittags gegen 4 Uhr ein Erdstoß bemerkt, der die Häuser und Geräthe darinnen erzittern machte. Der Stoß trat ganz unerwartet ein, und ging wie ein Blitz vorüber; im Freien draußen nahmen ihn Einige wahr, Andere nicht. Erstere vernahmen zugleich ein Geräusch ähnlich dem Rollen eines Eisenbahnzuges – davon übrigens keiner zur Stunde in Sicht – ... In der Pfarrei daheim hatte der Erdstoß die Hausmannschaft erschreckt. Sie hatten gesehen, daß die hohen Blumenstöcke im Wohnzimmer wanketen, und gefühlt, daß das Haus erzitterte.“

NEUSALZA-SPREMBERG (Sachsen)

FRIEDRICH (1901):

„In der Lausitz wurde das Erdbeben beobachtet in ... Neusalza, ... u.a.O.“

NEUSTADT (Hessen)

GREBE (1872):

„... zwischen 3 Uhr, 45 Min. u. 4 Uhr 3 Stöße, Dauer des mittleren 7 Sekunden, Schellen in Bewegung gesetzt.“

NEUSTADT an der Aisch (Bayern)

V. SEEBACH (1873):

„4 Uhr zwei einige Sekunden andauernde, schnell aufeinander folgende Erdstöße. Der zweite war so heftig, dass das Schwanken des Pultes mir das Schreiben unmöglich machte und mehrere an den Wänden hängende Gegenstände in andauernde Bewegung versetzt wurden. (Fränk. Ztg. 9)“

NEUSTADT/ORLA (Thüringen)

V. SEEBACH (1873):

„... etwa 10 Minuten vor 4 Uhr eine heftige Erderschütterung; einem schwächeren Stosse folgte nach einigen Secunden ein stärkerer, welcher Bilder schwanken, Oefen wanken und Fenster zittern machte. (Weim. Ztg. 8)

Auf dem Telegraphenamte hat man 3 Uhr 56 Minuten Berliner und 3 Uhr 50 Minuten Neustädter Zeit notirt. Nur die NS. pendelnden Uhren sind stehen geblieben, aber nicht die NO-SW. oder NW-SO. schwingenden, der Stoss muss also von O. oder von W. gekommen sein. Allenthalben hat man deutlich 2 Stöße verspürt, während in Gera der erste schwächer war und daher von Manchen nicht empfunden wurde, doch war der Effect im ganzen nicht so stark wie in Gera. Von einem Windstoss beim Beben ist keine Spur gemerkt worden, wohl aber ein dumpfes, unterirdisches Rollen, schwächer wie in Gera. (Prof. Liebe)“

NEUSTADT an der Waldnab (Bayern)

V. SEEBACH (1873):

„... gegen ½ 5 Uhr mehrere Secunden dauernd so stark, dass das alte Schloss in seinen Grundvesten erbebte, Zimmerthüren aufsprangen, Fenster klirrten und einzelne Personen sogar von ihren Sitzen fielen. (Amberger Tagebl. 7)“

NIDDA (Hessen)

V. SEEBACH (1873):

„3 Uhr 40–45 Minuten Berliner Zeit eine ziemlich starke Erschütterung ohne Geräusch. (K.G.-D.d.T.)“

NIEDERROSLA (Thüringen)

Ortschronik Niederroßla:

„Am 6. März Nachmittag 4 Uhr ging ein jäher Schlag durch unser Dorf dem 6 Sekunden heftige Erdstöße folgten und in allen Stärken theils mehr theils weniger empfunden wurden ... Im Pfarrhaus hier zeigten sich die Erscheinungen folgendermaßen: Ich saß in meiner Studierstube, da vernahmen wir erst einen Schlag wie fernes Donnerrollen. Bald kam das Geräusch näher als wenn auf unserem Boden die Stolle (? – Anmerkung des Autors) rasch und heftig gezogen würde. Darauf erfolgten förmliche Schläge wie innerhalb des Hauses, als wenn die Stolle die Bodentreppe herab auf den Saal gestürzt wurde. Plötzlich waren die Schläge wie unmittelbar über der Studierstube als wenn jemand mit großen eisernen Rollen aufschlug, und zuletzt

als wenn die beiden Eisenknöpfe über das Dach herabstürzten. Dabei wankte der Fußboden sehr merklich und unsere an einem Fläschenzug befindliche Astrallampe geriet in Pendlerscheinungen. Es waren Augenblicke der peinlichsten Angst, welche auch in der nächsten Nacht fort dauerte weil eine Wiederholung des Erdbebens befürchtet wurde ... “

NIEDERTREBRA (Thüringen)

Kirchenchronik Niedertrebra:

„Am 6. März Nachmittags gegen 4 Uhr hatten wir ein Erdbeben, welches mehrere Secunden anhielt ... Ich saß in der unteren Stube, wo wir wohnen, auf dem Kanapee, und fühlte die Erschütterung nicht, wohl aber meine Frau, welche im Fenster saß. Es waren einige Stöße zu bemerken, begleitet von einem Geräusche, wie wenn ein holsteiner Wagen rasch die Straße daherführe, zuletzt klang es wie verhallender Donner.“

NIEDERWINKEL (Sachsen)

V. SEEBACH (1873):

„... in der östlichen Wand der Kirche, von oben schräg nach unten eine Spalte, breit genug um in der Mitte derselben die Hand hineinlegen zu können. (Prof. Liebe)“

NIEMBERG (Sachsen-Anhalt)

Bernburgische Zeitung (9. 3. 1872):

„... um 4 Uhr; besonders in der Restauration, wo die Gläser auf den Tischen tanzten, die Gäste von den Stühlen heruntergeworfen wurden und zwei Fensterscheiben entzwei sprangen.“

NÖBDENITZ (Thüringen)

V. SEEBACH (1873):

„... auf der Eisenbahnstation hat man 3 Uhr 55 Minuten notirt. Der Pfarrer, ein ruhiger Beobachter, der sich für Geologie interessirt, berichtete: Ich sass am Tische mit dem Gesichte nach SO. gekehrt und las. Da hörte ich ein Geräusch auf dem Boden, ein leises Gepolter, das stärker und stärker wurde und zuletzt so heftig, dass ich meinte, die Pfarrei bräche zusammen und bekam dann erst einen gewaltigen Ruck nach der Rechten zu; erst nach dem Ruck hörte ich ein Geräusch draussen, als wenn mit 6 bis 7 schwer beladenen Wagen die Pferde durchgingen. – 7 Feueressen sind eingestürzt. Im Freien sah man den Stoss an den Pflaumenbäumen einer Allee, auch scheinbar von Osten her. Bei Uferarbeiten bemerkte man auch, wie das Wasser über die Ufer 'schwappte'. Devonische Schiefer und Culm schiessen unter Zechstein und Oligocaene-Geröll und Thonschichten ein. (Prof. Liebe) (Prof. Geinitz)“

NORDHAUSEN (Thüringen)

V. SEEBACH (1873):

„... Nachmittag kurz vor 4 Uhr in sämtlichen Theilen der Stadt eine Erderschütterung, durch welche die Bevölkerung mehr oder weniger in Angst und Schrecken versetzt ward. Die Erschütterung äuserte sich in einer in den Gebäuden deutlich wahrnehmbaren Schwankung von der Dauer mehrerer Secunden. Die Möbel in den Zimmern geriethen in schaukelnde Bewegung, einige Gegenstände fielen von denselben herab, die Fenster klirrten, nebeneinander hängende Gegenstände stiessen gegen einander, ja es sind sogar einzelne Fälle vorgekommen, wo Oefen umgestürzt sind. Viele Personen, welche mit Schreiben beschäftigt waren, versichern übereinstimmend, dass sie in Folge der Erschütterung plötzlich mit der Feder ausfuhren ... “

GIEBEL (1872):

„Von den beiden Thürmen in Nordhausen hört das Blatt, dass die Schwankung eine bedeutende gewesen, so dass Gemälde, Spiegel etc. an den Wänden, auf die der Stoss traf, sich von denselben ab, nach vorn stark bewegten ... “

NÜRNBERG (Bayern)

GREBE (1872):

„... gegen 4 Uhr, Dauer 4–5 Sek.; das Schulhaus in Wöhrd, rings frei stehend, schwankte stark, die Glocken läuteten, Knistern und Krachen des Gebälkes, der ältere Anstrich von den Decken in den

Tennen bröckelte ab; ein nur durch Riegel in der Mauer befestigter Fensterflügel eines Parterreschulzimmers löste sich und stürzte herab. In andern Häusern fielen Uhren, Bilder, Spiegel von den Wänden. Eine Mauer in der Carolinenstrasse stürzte ein.“

v. SEEBACH (1873):

„... gegen 4 Uhr, mehrere Secunden dauernd und sich durch eine rollende Bewegung des Bodens, durch Klirren der Fenster, durch Verrücken aufgestellter und Schwanken hängender Gegenstände bemerkbar machend. In einer hiesigen lithographischen Anstalt, in welcher zahlreiche Lithographiesteine durch Aneinanderlehnen aufgestellt sind, wurde im Augenblicke der Erschütterung ein starkes, durch Reiben und Zusammenklappen der Steine erzeugtes Geräusch vernommen. Eine zum Abbruch bestimmte Mauer in der Carolinenstrasse stürzte ein; die Bettstelle eines Kranken soll um einen halben Fuss verrückt worden sein. (Nürnb. Corresp. 7)“

OBERELLDORF (Bayern)

v. SEEBACH (1873):

„7. März. Gestern wurde hier in der Umgebung ein nicht unbedeutender Erdstoss wahrgenommen. Einsender dieses, am Schreibpulte stehend, gewährte ganz deutlich das Wanken des Bodens unter seinen Füßen; die Möbel im Zimmer wurden ziemlich stark bewegt. Der Stoss wurde ungefähr einige Minuten nach 4 Uhr Abends verspürt und dauerte 6–7 Secunden ... (Augsburger Abendztg. 8)“

OBERHOF (Thüringen)

v. SEEBACH (1873):

„Zwischen 3 Uhr 40 Minuten und 4 Uhr ein einmaliger schwacher Erdstoss, begleitet von einem Getöse als ob zwei Stock höher eine Thüre sehr heftig zugeworfen würde. (Neumann, K.G.-D.d.T.)“

OBERRÖBLINGEN (Sachsen-Anhalt)

GIEBEL (1872):

„Heute Nachmittag 3 Uhr 53 Min. – wo sonst Alles ruhig war – verspürten wir eine nahe 1 Min. anhaltende ganz erhebliche Erderschütterung, weit stärker, als wenn ein schwerer Bahnzug im Fluge hier durchfährt.“

OBERRÖSSLAU (Bayern)

GREBE (1872):

„... ¼ 4 Uhr. Starker dumpfer Donner. Der oberste Theil vom Schlot eines Hauses fiel ab, das in ihm gehangene Rauchfleisch in die Küche. Die Stützen von Webestühlen wurden los.“

v. SEEBACH (1873):

„... mit starkem dumpfen Donner; in Marktrösslau fällt ein Stück Schornstein ein.“

OBERROSSLA (Thüringen)

Ortschronik von Oberroßla:

„Reich war das Jahr an großen Naturereignissen. Den Anfang machte am 6. März Nachmittags ¼ vor 4 Uhr ein Erdbeben, das sich in Deutschland über den Raum einer großen Ellipse erstreckte, deren Centrum nicht weit von der hiesigen Gegend entfernt lag. Wer sich, wie ich, im Freien befand, und nicht etwa leicht bewegliche Gegenstände in seiner Nähe hatte, nahm außer einem dumpfen Getöse wenig davon wahr. Dagegen waren z. B. in einem der Pfarrei benachbarten Hofe zwei Leute an einem Wagen beschäftigt; dieser wurde ihnen unter den Händen durch einen plötzlichen Stoß bis zu einer ziemlichen Höhe emporgeschleudert, und kam auch nicht sogleich wieder zur Ruhe; dabei flogen die Hühner voll Schrecken auf, und die Tauben fuhren aus den Höhlen am Hause. Eine Gesellschaft in dem Familienzimmer der Pfarrei vernahm ein Getöse, als ob ein Eisenbahnzug mit Blitzesschnelle unter dem Zimmer durchführe; die auf Stühlen sitzenden Personen fühlten sich mit den Stühlen emporgehoben und fast herabgeworfen; der Hammer einer Stutzuhr schlug außer der Zeit an die Glocke; die Blumenärsche auf dem Fenstersims geriethen ins Schwanken bis zum Umfallen.“

OBERVIECHTACH (ehemals Obernvichtach; Bayern)

v. SEEBACH (1873):

„Obernvichtach, um 4 Uhr wurde im ganzen Markte eine Erderschütterung wahrgenommen. Unter einem donnerähnlichen Gerolle erzitterten die Häuser, dass Fenster und Thüren klirrten und Alles erschrocken aus den Häusern lief und sich das Erlebte mittheilte. Namentlich stark wurde der Stoss in den oberen Stockwerken der Gebäude wahrgenommen. Die Bewegung dauerte 5 Secunden lang. (Regensbgr. Tagebl. 9)“

OHRDRUF (Thüringen)

Gothaische Zeitung (7. März 1872):

„6. März 5 Min. vor 4 Uhr; ... Bewegungen von Einrichtungsgegenständen und Hausrat.“

OLDISLEBEN (Sachsen-Anhalt)

v. SEEBACH (1873):

„3 Uhr 52 Minuten, ein Erdbeben bei ruhiger Luft, das 15 Secunden andauerte und die Gebäude erschütterte ... (Weim. Ztg.)“

OLSZYNA/Polen (ehemals Langenöls)

GREBE (1872):

„Langenöls. Wagen des vor dem Bahnhof haltenden Zuges stossen zusammen.“

OSTERFELD (Sachsen-Anhalt)

GREBE (1872):

„3 ¼ Uhr, Dauer 2 Sec.; Steinstrasse, zweite Etage, Flucht der Bewohner auf die Strasse.“

OSTERODE (Niedersachsen)

GREBE (1872):

„Verschiedene Orte dieses Amtes: 3 ¼ Uhr, Dauer etwa 5 Sec.; in Osterode selbst äusserst schwache Erschütterung.“

v. SEEBACH (1873):

„... wurde gegen ¾ 4 Uhr ein Erdstoss wahrgenommen, der etwa 5“ dauerte und von S. nach N. zu gehen schien. (Hann. Cour. 9)“

OSTRAMONDRA (Thüringen)

GREBE (1872):

„Die Mühle stockt momentan. Läuten eines auf dem Boden befindlichen Schellengeläutes.“

OSTROV/ČSFR (ehemals Schlackenwerth; Kreis Karlovy Vary)

GREBE (1872):

„Schlackenwerth. 4 Uhr. Mehrere nicht unbedeutende Erschütterungen. In mehreren Häusern fiel der Bewurf von den Wänden.“

OYBIN (Sachsen)

HEINKE (1923):

„... Die Teller klirrten auf den Brettern, die Holzdecken knisterten und einzelne Häuser wurden so heftig bewegt, daß die Inwohner entsetzt ins Freie flüchteten. Heftige Donnerschläge und orkanähnlicher Sturm begleiteten dieses beängstigende, nur wenige Augenblicke andauernde Phänomen ...“

PAPPENHEIM (Bayern)

v. SEEBACH (1873):

„... kurz vor 4 Uhr und einige Secunden anhaltend; so stark, dass die Fenster zitterten und Kästen und Schränke in Schwanken geriethen ... (Fränk. Ztg. 9)“

PASSAU (Bayern)

v. SEEBACH (1873):

„... hier wollen einige Herren in der Porcellanfabrik den Stoss gespürt haben. Im Bayerischen Walde war wenig zu spüren. (Passauer Ztg. 13)“

PENIG (Sachsen)

GREBE (1872):

„Eine Esse stürzte ein.“

v. SEEBACH (1873):

„Es soll eine Esse eingestürzt sein. (Leipz. Tagebl.)“

PIFFELBACH (Thüringen)

Ortschronik Piffelbach:

„Mittwoch am 6ten März Nachmittags um 4 Uhr wurde im hiesigen Orte eine sekundenlange erdstoßartige Erschütterung in den Häusern, aber auch im Freien verspürt. Hier im Wohnzimmer des Pfarrhauses wurde der Vogel im Bauer unruhig. Gegenstände auf dem Sekretär und eine Stehlampe, gerieten in solche Bewegung, daß man fürchtete sie würden herunterfallen. Draußen an der Chaussee nach Buttstädt zu, diesseits des Holzes, hatte sich ein Chausseewärter, um auszuruhen, ein wenig an den Chausseeegraben gesetzt. Als die Erschütterung begann, stand er eilig auf in der Meinung, es wolle sich ein Erdfall unter ihm bilden. Im Stehen war es ihm, als ob der Erdboden unter seinen Füßen sich etwas drehte. In den Häusern war es, als ob von draußen ein großer Wagen gegen die Hauswand gefahren würde.“

PFUHLBORN (Thüringen)

Ortschronik Pfuhsborn:

„... Den 6ten März gegen 4 Uhr Nachmittags wurden wir erschreckt durch ein 2-3 Sekunden anhaltendes wellenförmiges mit starkem Rollen begleitetes Erdbeben; viele Gegenstände im Hause bewegten sich und die Wände schwankten sichtbar ...“

PILLINGSBORN (Thüringen)

Kirchenchronik Pillingsdorf:

„... Für hier auch merkwürdige Naturerscheinungen waren am 6. März ein ziemlich starker Erdstoß, bei dem der Boden wankte u. selbst Beschädigungen an Gebäuden vorkamen ...“

PIRNA (Sachsen)

Weimarische Zeitung (8. 3. 1872) und Magdeburger Zeitung (7. 3. 1872):

„Dresden, 6. März. Heute Nachmittag 3 Uhr 53 Minuten wurde hier eine ziemlich heftige, einige Sekunden andauernde Erderschütterung bemerkt, welche auch in Pirna, ... beobachtet wurde.“

Neustädter Kreisbote (9. 3. 1872):

„... Nachmittags gegen 3 Uhr 52 Min. fand ein ziemlich kräftiger Erdstoß statt, welcher nach den bisherigen Berichten u.a. in ... Pirna ... wahrgenommen wurde.“

PISARZOWICE/Polen (ehemals Schreibersdorf)

v. SEEBACH (1873):

„Schreibersdorf, kurz vor 4 ½ empfunden. (Schles. Ztg. 8)“

PLAUEN/Vogtland (Sachsen)

v. SEEBACH (1873):

„Die K. Telegraphenstation berichtet: 3 Uhr 57 Minuten /Berliner Zeit/ nur eine von donnerartigem Geräusche begleitete Erschütterung. Die Wellenbewegung war deutlich erkennbar an dem starken Erzittern der Zimmerleitungsdrähte, die von SO. nach NW. in Schwingungen gebracht werden. (Neumeister, K.G.-D.d.T.)“

RUDERT (1902):

„Am 6. März 1872 nachmittags zwischen 3 und 4 Uhr befand ich mich in dem zu ebener Erde gelegenen Lehrzimmer Nr. 4 des Schulhauses an der Syra, wo eben unter dem Vorsitze des Herrn Ortschul-

inspektor Diakonus Vötzschke und des Herrn Direktor Höckner Osterprüfungen stattfanden. Von 4 bis 5 Uhr sollte eine der mir anvertrauten Klassen geprüft werden. Als kurz vor 4 Uhr einige meiner Kollegen, die sich unmittelbar vorher in oberen Räumen des Gebäudes aufgehalten hatten, nach Nr. 4 kamen, fragten sie, ob man die starken Erdstöße verspürt habe, welche sich soeben hätten vernehmen lassen. Merkwürdig! Niemand von den im Prüfungszimmer Anwesenden hatte auch nur das Geringste bemerkt, während man oben durch das Naturereignis förmlich beängstigt und erschreckt worden war ...“

GREBE (1872):

„Dampfessen stürzten ein.“ (fraglich – Anmerkung des Autors)

PLZEŇ/ČSFR

KÁRNÍK et al. (1957):

„Vom Gebiete Böhmens liegen Meldungen aus folgenden Ortschaften vor: 4° – ... Plzeň ...“

PODMOKLY/ČSFR

(ehemals Bodenbach; Kreis Děčín)

GREBE (1872):

„Bodenbach. 4 Uhr 4 Min., Dauer 2-3 Sek. Erdstöße. Die Wände neigten sich gleichsam, die Schränke krachten, Gläser und Geschirr schlugen laut zusammen. Einige Personen verliessen die Häuser. Viele hatten ein Gefühl als ob sie electricirt würden.“

KÁRNÍK et al. (1957):

„Vom Gebiete Böhmens liegen Meldungen aus folgenden Ortschaften vor: 4° – ... Podmokly ...“

PÖSSNECK (Thüringen)

v. SEEBACH (1873):

„... Am 6. erfolgte das Erdbeben 4 Uhr Pössnecker Zeit (3 Uhr 55 Minuten Berliner), es war so heftig, dass ein schwerer eiserner Geldschrank gegen die Wand klappte und alle Möbel schwankten; dem Stosse folgte eine 5 bis 6 Sekunden andauernde wiegende Bewegung. Ein polterndes Geräusch wird der Bewegung der Möbel zugeschrieben. Viele Leute eilten erschreckt auf die Strasse. Die K. Telegraphenstation berichtet: Zwischen 3 Uhr 56 Minuten und 3 Uhr 57 Minuten deutlich zwei auffallend starke Erschütterungen, ohne dass ein unterirdisches Geräusch beobachtet worden wäre; die Wellenbewegung war unverkennbar. In der Porzellanfabrik sind ganze Reihen von Porzellanfiguren zu Boden gestürzt ... (Schultes, K.G.-D.d.T.)“

Pößnecker Wochenblatt und allgemeiner Anzeiger (9. 3. 1872):

„Während durch den letzten Erdstoß am 6. d. M., der mit donnerähnlichem Getöse begleitet war, hier Möbels von ihren Plätzen gerückt wurden, Abputz von den Häusern fiel, Kronleuchter hin- und herschwankten, Fenster und Uhren auf- und Tapeten absprangen, leichte Gefäße umgeworfen wurden, so daß die Bewohner der Häuser ängstlich auf die Straße eilten, ...“

POMMELBRUNN (Bayern)

GREBE (1872):

„Genau 4 Uhr, circa 5 Sec. Dauer, Bewegung wellenförmig und so gross, dass alle Gegenstände im Zimmer wackelten und die Uhr stehen blieb.“

POSTERSTEIN (Thüringen)

v. SEEBACH (1873):

„Grauwackenschiefer und Breccien (äquivalent etwa dem Iberger Kalke), welche das Liegende des Cypridinenschiefers bilden, sind hier von einem Felsitporphyr durchbrochen worden. Unten im Alluvium der Sprotte haben die Gebäude des Dorfes nicht gelitten, wenn auch die Erschütterung sehr stark war – stärker als in Gera. Desto mehr aber auf dem anstehenden Felsen. Von dem Porphyrberge gegenüber dem Schlossberge rollten die Gerölle beim Stosse niederwärts und löste sich ein Felsblock Grauwackenschiefer ab. Eine niedrige aber theilweise nicht sehr solid gebaute Gartenmauer ward zur Hälfte umgelegt. Auf dem Schlossberge (Porphyr und Schiefer)

hat der alte Thurm von 40 Ellen Höhe bei 5 Ellen Mauerstärke so oscillirt, dass die in der Nähe Wohnenden vor Schrecken heulten und kreischten, da sie meinten er stürze herab. Am alten Schloss habe ich /Liebe/ eine Menge Risse gesehen, die mit frischem Bruche durch Mörtel und Stein hindurch verliefen. In den Kellern des alten Schlosses ist so viel von den Decken abgebröckelt, dass mehrere 100 Liter Milch unbrauchbar wurden. Das neue Schloss, neben dem alten errichtet, hat durchweg 2 Ellen und im ersten Stock 1 1/2 Ellen starke Mauern; es existirt aber keine Stube, kein Kämmerchen, welches nicht Mauer- und Deckenrisse aufweise. – Allgemein wird in Posterstein das Geräusch als ein dumpfes, starkes Donnern beschrieben. – Die Tümpel des Sprottenbaches schlugen Wellen, wie mehrere als zuverlässig bezeichnete Beobachter gesehen haben, und zwar schlugen diese Wellen genau in südwestlicher Richtung an das Ufer. (Prof. Liebe)“

PRAHA/ČSFR (Prag)

v. SEEBACH (1873):

„Prag, wurde um 4 Uhr 6 Minuten das Erdbeben ebenfalls von vielen Personen beobachtet. Die in den Bureaus des Stationsgebäudes im Prager Staatsbahnhofe arbeitenden Beamten verspürten plötzlich einen so heftigen Stoss, dass sie glaubten, es sei in der Maschinenabtheilung ein Dampfkessel gesprungen. Als man sich jedoch erkundigte und erfuhr, dass nichts vorgefallen sei, schloss man sogleich auf ein Erdbeben. Interessant gestaltete sich die Beobachtung von der dritten Moldaubrücke aus. Personen, welche grade in jenem Augenblicke die Brücke passirten, fühlten diese unter ihren Füßen wanken, obgleich grade kein einziger Wagen über die Brücke fuhr. Unten begannen sich die Wellen der Moldau zu kräuseln und gerieten, wie von einer Windhose gepeitscht, in rotirende Bewegung; gleich darauf war der Wasserspiegel wieder glatt wie gewöhnlich. – An der Prager Sternwarte wurde anlässlich ungünstiger localer Verhältnisse die Erderschütterung nicht beobachtet ... (vergl. Magdeb. Ztg. 9)“

KÁRNÍK et al. (1957):

„Vom Gebiete Böhmens liegen Meldungen aus folgenden Ortschaften vor: 4° – ... Praha ... “

PRIESSNITZ (Sachsen-Anhalt)

v. SEEBACH (1873):

„Stoß von O. nach W.; Die Tauben steigen aus den Schlägen in die Höhe, Pferde wanken. (Dortztg. 10)“

PRUNÉŘOV/ČSFR (ehemals Brunnersdorf; Kreis Kadan)

GREBE (1872):

„Brunnersdorf. 4 Uhr, Dauer 2 Sec., horizontale Stöße, Klirren der Geschirre auf Tischen und Schränken.“

Deutschland vom 7. 3. 1872:

„Aus Böhmen wird berichtet, daß die Erschütterung ... auftrat, in Brunnersdorf bei Kaaden um 4 Uhr (2 Sek. während), ... Der Erdstoß scheint hier schon sehr schwach gewesen zu sein.“

PUSCHWITZ, Ortsteil Lauske (Sachsen)

v. SEEBACH (1873):

„Herr A. v. Littrow schreibt: Ich war den 6. März eben ausser Hause auf der Jagd, als ich um 4 Uhr 10 Minuten etwas wie fernen Donner vernahm. Heimgekehrt erzählte man mir, dass das Wohnhaus ziemlich stark erschüttert worden sei, so dass die Bilder in einer Stube im ersten Stockwerke an einer von NW. nach SO. gerichteten Wand heftig hin und her zu schwanken begannen, die grosse Pendeluhr, welche an der auf ersterer senkrechten Wand befestigt ist, ging aber ungestört weiter. (Zeitschr. d. Oesterr. Ges. f. Meteorol., 1872., Bd. VII., p. 137 u. 138)“

QUEDLINBURG (Sachsen-Anhalt)

Magdeburger Correspondent (ein nicht näher bezeichneter Zeitungsausschnitt – Anmerkung des Autors):

„Glocken kamen einige Augenblicke in Bewegung.“

QUERFURT (Sachsen-Anhalt)

v. SEEBACH (1873):

„ ... zwischen 3 3/4 – 4 Uhr wurde die Erschütterung in der eine Treppe hoch gelegenen Telegraphenstation sehr stark empfunden. Es wurde nur eine Erschütterung, welche 4–5 Sekunden dauerte, wahrgenommen, dieselbe glich dem schnellen Vorbeifahren eines schwer beladenen Wagen. Die Erschütterung war weniger wellenförmig, sondern mehr von unten nach oben. (Schaale, K.G.-D.d.T.)“

RAGUHN (Sachsen-Anhalt)

GIEBEL (1872):

„Heute Nachmittag 5 Minuten vor 4 Uhr erfolgte hier ein Erdstoss und zwar so arg, dass die Gebäude anfangen zu beben, und hängende Lampen, Spiegel, Uhren u.s.w., sogar feststehende Gegenstände, als Schreibpulte und Stühle sich hin und her bewegten.“

RAKOVNÍK/ČSFR

KÁRNÍK et al. (1957):

„Vom Gebiete Böhmens liegen Meldungen aus folgenden Ortschaften vor: 4° – ... Rákovník ... “

REDWITZ (Bayern)

v. SEEBACH (1873):

„ ... hier so stark, dass die Kirchenglocken zu läuten anfangen. (Passauer Ztg. 13)“

REGENSBURG (Bayern)

REINDL (1905a):

„Am 6. März ein Beben verspürt in ... Regensburg ... “

REICHENBACH (Kreis Freiberg, Sachsen)

v. SEEBACH (1873):

„Herr v. Cotta schreibt: Ich gestatte mir, der Redaction die Mittheilung zukommen zu lassen, dass ich, eben in einem Zimmer der ersten Etage im hiesigen Forsthaus sitzend und Ihre Zeitung lesend, die Gelegenheit hatte, kurz nach 4 Uhr eine heftige, mehrere Sekunden andauernde, ich glaube von West nach Ost gehende, wellenförmige Erderschütterung wahrzunehmen. Dieselbe war so stark, dass Thüren und Fenster klapperten, alle Möbel geschüttelt wurden und der in der Unterstube liegende Hühnerhund erschrocken von seinem Lager aufgefahren ist und gehorcht hat. (Dresd. Journ.)“

REICHENBACH/OL (Sachsen)

v. SEEBACH (1873):

„Nachmittag 4 Uhr 5 Minuten, wurde hier ein Erdstoss wahrgenommen von ca. 10 Sekunden langer Dauer. Während im nördlichen Theile der Stadt diese Erscheinung kaum gespürt wurde, trat sie im südlichen Theile und insbesondere auf der Waisenhausstrasse und dem Bahnhofe so bedeutend hervor, dass die sämtlichen Häuser bebten und einzelne Geräthschaften in den Stuben um- und herunterfielen ... (Brsl. Ztg. 9)“

REICHENBACH/Vogtland (Sachsen)

GREBE (1872):

„ ... heftiger Stoss ... “

REICHSTÄDT ((Sachsen)

GIEBEL (1872):

„Heute Nachmittag ungefähr 3/4 4 Uhr wurde hier an mehreren Orten und von verschiedenen Personen ein Erdstoss beobachtet, welcher 1/2 Minute lang anhielt. Die wellenförmige Bewegung ging von Osten nach Westen.“

REIFFENHAUSEN (Niedersachsen)

v. SEEBACH (1873):

„3 Uhr 38 Minuten. Es war eine etwa 2 Sekunden andauernde Schwankung mit zwei (im Anfang und am Ende je einen) deutlich unterschiedenen Stößen. Die sinnlichen Wahrnehmungen von 4 in einem Zimmer versammelten Personen waren folgende: Die eine be-

merkte Schwankung des vor ihr stehenden sonst unberührten Tisches, die andere eine wilde Bewegung eines vor dem Fenster an einer Eisenstange befestigten Thermometers; die dritte deutlich ein Vor- und Rückweichen der Aussenwand des Hauses. Auf alle vier Anwesende machte die Erschütterung gleichmässig den beängstigenden Eindruck des unter ihnen schwankenden Bodens. Ein dumpf eher polterndes als donnerndes Geräusch ist nur von einem der vier Beobachter bemerkt worden. Gleichzeitig ist in einem fünfzig Schritte entfernten Hause von einem neunjährigen Kinde die Erschütterung seines Bettes gefühlt und eine leer stehende Wiege in demselben Hause ist in Schwankung gerathen. Weiter hat man in einem 250 Schritt von oben genannten Beobachtungsorte entfernten Hause anscheinend die Erschütterung noch heftiger gefühlt, indem Bilder an der Wand und andere Möbel in Bewegung geriethen, auch das ganze Haus so erbebte, dass eine Frau Anstalt zur Flucht machte. (Gött. Ztg. 8)"

REINHAUSEN (Niedersachsen)

v. SEEBACH (1873):

„Kurz vor 4 Uhr zeigten sich hier in einem Wohnhause ziemlich heftige Erschütterungen, welche auf ein Erdbeben zurückzuführen sein möchten. Bei völliger Windstille erbebte das Haus in 3–4 Stößen mit Intervallen von 1 Secunde, so dass Schreiber dieser Zeilen, an einem Tische sitzend, mit letzterem ursprünglich hin und her wankte und die auf einem andern Tische befindlichen Trinkgeschirre (Kaffeetassen) erklimmten. Drei Mitbewohner des Hauses, welche sich in einem anderen Zimmer befanden, wurden gleichzeitig durch das stossweise Erbeben des Hauses bestürzt. (Gött. Ztg. 8)"

REMDA (Thüringen)

v. SEEBACH (1873):

„4 Uhr eine circa 3 Secunden währende, von Nordosten nach Südwesten gehende Erderschütterung. Die Gebäude und Möbel schwankten und die Glocke auf dem Rathhause schlug an. Die hiesige Bewohnerschaft wurde hierdurch um so mehr erregt, als derartige Erscheinungen in hiesiger Gegend seit Menschengedenken nicht vorgekommen sind. (Weim. Ztg. 8)"

RIEDENBURG (Bayern)

v. SEEBACH (1873):

„... nur am linken Altmühlufer am 6. d. M. 3 ¼ Uhr Nachmittags ein sehr heftiger Erdstoss. Die Bewegung war eine wellenförmige ..., Dauer mehrere Secunden ... (Regensbrg. Tagebl. 11)"

RODA (Thüringen)

Neustädter Kreisbote (9. 3. 1872):

„... Nachmittags gegen 3 Uhr 52 Min. fand ein ziemlich kräftiger Erdstoss statt, welcher nach den bisherigen Nachrichten u.a. in ... Roda ... wahrgenommen wurde.“

RODACH (Bayern)

v. SEEBACH (1873):

„... 3 Uhr 45 Minuten 2 Erdstöße, welche sämtliche Häuser bedeutend erschüttern. (Cob. Ztg. 8)"

ROHNSTEDT (Thüringen)

v. SEEBACH (1873):

„... auf dem ganzen Höhenzuge der Hainleite wurde die Erschütterung mehr oder weniger heftig gespürt, ebenso in ... Rohnstedt. (Zeitungsausschnitt)"

RONNEBURG (Thüringen)

v. SEEBACH (1873):

„Der schwache Stahlbrunnen, der aus den Schiefen kommt, die wenig mächtig, zwischen den Graptolithenlyditen und Titaneisen-Diabaslagern eingeschaltet sind, floss nach dem Stosse um 50 % stärker. Auch jetzt /15. März/ ist er noch nicht auf den vorigen Stand gesunken, sondern fliesst noch bedeutend stärker ... 1) (Prof. Liebe)
Das Bauerngut, die Pohrishäuser, hatte schönes laufendes Wasser. Diese Quelle ist durch den Stoss versiegt, sodass nur noch einzelne

Tropfen abträufeln. Die Quelle kommt aus Graptolithenlyditen. (Prof. Liebe)

1)Vergleiche hierzu auch Weserzeitung vom 27. Mai, Abendblatt.“

RONNEBURG-GESSEN (Thüringen)

v. SEEBACH (1873):

„... Herr Professor Liebe hatte die Güte mir über das Auftreten des Erdbebens in Gera und seiner Umgebung sehr wertvolle und ausführliche Mittheilung zu machen: ... Oberhalb der Geßenmühle südöstlich von hier, eine Stunde weit entfernt, sind dicht am Mühlgraben, unmittelbar nach dem Stoße, zwei neue Quellen hervorgebrochen, welche jetzt noch so stark fließen wie am Anfang ...“

ROSSLA (Sachsen-Anhalt)

Magdeburger Zeitung (7. 3. 1872):

„Starke Erderschütterung gespürt. Im gräflichen Schloß liefen die Einwohner erschrocken zusammen. Auch in vielen Privathäusern hat man den Erdstoss bemerkt. Am meisten in den oberen Etagen der Häuser sind die Schwingungen stark gewesen. Die Fenster und Öfen klirrten, Wände, Tische und Stühle bewegten sich. An den Wänden hängende Gegenstände fingen an zu tanzen. Ein Spiegel stürzte zur Erde.“

ROSSLEBEN (Sachsen-Anhalt)

v. SEEBACH (1873):

„... um 4 Uhr 10 Minuten /sollte wohl heissen 3 Uhr 50 Minuten/ nur eine ziemlich starke Erschütterung, welche einen grossen Schrank Secunden lang in eine heftige zitternde Bewegung versetzte. Dieselbe war von einem unterirdischen donnerartigen Geräusche begleitet. (Schmiedel, K.G.-D.d.T.)

... in dem benachbarten Roßleben ist ein Schornstein eingestürzt ... (Magdeb. Ztg. 9)"

ROTENBURG (Hessen)

GREBE (1872):

„¾ 4 Uhr. Wellenförmiger Erdstoss.“

ROTH a.S. (Bayern)

v. SEEBACH (1873):

„... auch hier in ziemlich intensiver Weise. Die Bewegung war so heftig, dass die Schreibpulte im hiesigen Landgerichtsgebäude sichtbar wankten. In einigen, mehrere Stockwerk hohen Privatgebäuden schlugen die Thüren an und knackten die Balken, so dass die Hauseigentümer sich veranlasst sahen, ihre Häuser von Sachverständigen untersuchen zu lassen. (Fränk. Ztg. 9)"

RUDOLSTADT (Thüringen)

v. SEEBACH (1873):

„3 Uhr 50 Minuten /3 Uhr 52 Minuten Weim. und Eisen. Ztg. / ein Erdstoss verbunden mit dumpfem, donnerähnlichem /sturmartigem, Rud. Wochenbl. / Geräusche. (Thür. Volksfr.) Mein Freund Dr. Dittenberger schreibt mir, da er selbst im Freien befindlich nichts von dem Erdbeben wahrgenommen hat, dass Herr Dr. Speerschneider um 3 Uhr 52 Minuten der Rudolstädter Schlossuhr, die Erschütterung in seiner am Schlossberg gelegenen Wohnung ziemlich bestimmt 5 Secunden dauernd wahrnahm; während dieser Zeit dauerte eine wellenförmige Bewegung zwar continuirlich fort, es waren aber 3 heftigere Stöße oder, so zu sagen Anschwellungen, der Intensität der Bewegung zu unterscheiden ... Dittenberger fügt hinzu, dass eine Vase durch die Erschütterung ein wenig nach NO. fortgerückt worden sei. Die Glocke auf dem Schlossthurm schlug 4 oder 5mal an. Die K. Telegraphenstation berichtet 3 Uhr 58 Minuten /Berliner Zeit/ sehr heftige Erschütterungen von einem dumpfen Brausen begleitet, ähnlich dem Geräusch eines schnell vorüberfahrenden schwerbeladenen Wagens. Die wellenförmige Bewegung versetzte die Leute in eine Art schwankende Bewegung ähnlich der in einem Kahne. Ein frei stehender Gummibaum neigte sich im Augenblicke der Erschütterung dreimal von NO. nach SW. (Schwarz, K.G.-D.d.T.)“

Deutschland (7. 3. 1872):

„Das gestern Nachmittag 3 Uhr 50 Minuten hier stattgehabte und nach den eingegangenen Nachrichten in größerem Umkreis wahrge-

nommene Erdbeben war von solcher Heftigkeit, daß Möbel und Hausgeräte in einzelnen Wohnungen aus ihrer Lage gebracht und die Glocken der Türme in Bewegung gesetzt wurden. Das Ereignis gab Veranlassung zu einem merkwürdigen Fall, in dem in einem Hause ein Sarg, der soeben zur Beerdigung hinausgetragen werden sollte, durch den Erdstoß in Schwankung geriet und man im ersten Augenblick an das Vorhandensein eines Scheintodes glaubte.“

RÜGHEIM (Bayern)

v. SEEBACH (1873):

„ ... Heute Nachmittag ..., in Rügheim, ... zwei Schwankungen ... Zwischenzeit der ersten und zweiten etwa 3 Secunden. (Nürnb. Corresp. 9)“

RUHLA (Thüringen)

Ortschronik Ruhla:

„Ruhlaer Bürger gaben dazu an, daß am Gerberstein ein Teil seiner vorher an die 30 m hohen Felsenkronen eingestürzt sei. In der Chronik Ziegler war angeführt, daß in Ruhla Geschirr und Gläser geklirrt hätten, am Gerberstein Granitblöcke abgestürzt und durcheinandergerworfen worden wären ...“

RYCHNOV/ČSFR (Kreis Jablonec n. Nisou)

KARŇIK et al. (1957):

„Vom Gebiete Böhmens liegen Meldungen aus folgenden Ortschaften vor: 4° - ... Rychnov n. N. ...“

SAALFELD (Thüringen)

Saalfelder Kreisblatt (8. 3. 1872):

„Heute Nachmittag $\frac{3}{4}$ 4 Uhr wurden hier zwei Erdstöße verspürt, die besonders in den Wohnungen der ersten Etagen durch Rütteln und Schütteln frei stehender Gefäße sich bemerklich machten. Die kleinen Glocken auf dem Thurm sowie die an Uhrwerken in den Häusern schlugen an, auch fiel hier und da der Abputz von den Wänden. Die Bewohner der oberen Etagen überfiel ein Schrecken und unwillkürlich faßte man, um sich aufrecht zu erhalten, nach dem nächsten Gegenstände ...“

v. SEEBACH (1873):

„8 bis 10 Secunden dauernd, zwei Stöße, so stark, dass die sogenannte Vierteltsglocke auf dem Stadtkirchthurm 3 bis 4mal rasch nach einander anschlug.“ (Ztg. Deutschl. Weim)

SALZMÜNDE (Sachsen-Anhalt)

GIEBEL (1872):

„Aus Salzmünde erhalten wir die Mittheilung, dass Nachmittags $\frac{3}{4}$ 4 Uhr auf der Eintrachtsgrube und in Salzmünde selbst eine schwache Erderschütterung bemerkt worden ist.“

v. SEEBACH (1873):

„ ... im Orte und auf der Eintrachtsgrube bemerkt ... (Hallesche Ztg. 8)

Nach der K. Telegraphenstation: zwischen 3 $\frac{3}{4}$ und 4 Uhr eine in schnellem Tempo auftretende wellenförmige ungefähr 2 Secunden dauernde Bewegung des Fussbodens etc. Ein Geräusch wurde dabei zwar wahrgenommen, allein das Gerassel vorüberfahrender Wagen liess keine scharfe Unterscheidung zu. (Ludwig, K.G.-D.d.T.)“

SANGERHAUSEN (Sachsen-Anhalt)

Magdeburger Correspondent (ein nicht näher bezeichneter Zeitungs ausschnitt – Anmerkung des Autors):

„Im Freien nicht bemerkt, im Hause Möbel hin und her bewegt, Tür habe sich geöffnet.“

SCHLEIZ (Thüringen)

v. SEEBACH (1873):

„Der Stoss ist nicht so stark gewesen als in Gera und im Freien nicht verspürt worden. (Prof. Liebe)“

SCHLEUSINGEN (Thüringen)

v. SEEBACH (1873):

„Die K. Telegraphenstation berichtet nach den Beobachtungen des damals diensthabenden Herrn Postsecretär Bayer: Es erfolgten zwei Stöße kurz auf einander, von denen der zweite bedeutend stärker war. Ein unterirdisches Geräusch, etwa vergleichbar dem schwachen Grollen eines weit entfernten Gewitters, wurde wahrgenommen. Die Erschütterung war eine Wellenbewegung von SW. nach NO. Die Dauer nach Secunden kann nicht angegeben werden. (Elsässer, K.G.-D.d.T.)“

SCHLICHT (Bayern)

v. SEEBACH (1873):

„Kurz nach 4 Uhr Nachmittags wurde auch ... im benachbarten Orte Schlicht ein Erdstoß verspürt ...“ /siehe auch bei Vilseck/

SCHLOTHEIM (Thüringen)

v. SEEBACH (1873):

„Nachmittags $\frac{3}{4}$ nach 3 Uhr ziemlich heftige Erderschütterungen. Es liessen sich mehrere Stöße deutlich unterscheiden, diesem folgte eine von West nach Ost gehende Wellenbewegung. Gegenstände im Zimmer, als Spiegel, Blumenstöcke und dgl. schwankten mehrere Secunden lang, so dass die Erscheinung selbst weniger beobachtenden Personen deutlich bemerklich wurde und Schrecken erregte.“

SCHMÖLLN (Thüringen)

v. SEEBACH (1873):

„ ... gegen 4 Uhr sehr heftiger Erdstoss, verbunden mit donnerähnlichem Getöse, 3–4 Secunden andauernd, Richtung von SW. nach NO. (Zeitungsausschnitt). Es sollen über 30 Essen beschädigt worden sein; auf der Strasse sind zwei Kinderwagen umgeworfen und die Kinder herausgeschleudert worden ... (Prof. Liebe)“

SCHNEEBERG (Sachsen)

GREBE (1872):

„Bilder fielen von den Wänden.“

v. SEEBACH (1873):

„ ... die K. Telegraphenstation berichtet: Zwischen 3 Uhr 58 Minuten und 3 59 Minuten Berliner Zeit 10–12 Secunden andauernd und begleitet von einem 'plärrenden' Donner, welcher während der ganzen Dauer des Erdbebens ohne Unterbrechung und in gleicher Intensität anhielt. Zwei über einem Drahtstifte an einander hängende Hufeisen-Magnete geriethen in Schwingungen ... (Besser, K.G.-D.d.T.)“

SCHÖNBORN-DREIWERDEN (Sachsen)

v. SEEBACH (1873):

„Dem Frankbgr. Nachrichtsbl. wird geschrieben: 'Ich war um diese Zeit 300 Ellen tief unten in der Grube'. Da auf einmal vernahmen wir ein Dröhnen und Wanken an den Felsenwänden, und es war, als wenn die Grundvesten unter unsern Füßen sollten untergehen. Anfangs erschreckt, dachten wir, es wäre innerhalb unserer Grube ein Unfall passiert, etwa ein Schacht oder Gängerrolle eingestürzt; aber dem war nicht so, denn an allen Orten der Grube ist dasselbe wahrgenommen worden und nichts passiert. Als wir zu Tage kamen, löste sich erst das Räthsel.“

SCHÖNEBECK/ELBE (Sachsen-Anhalt)

v. SEEBACH (1873):

„ ... wenige Minuten nach 4 Uhr wurden von vielen hiesigen Einwohnern stärkere oder geringere Erderschütterungen bemerkt ... Ganz deutlich bemerkte man zwei Stöße, welche die Fenster zittern und das Geschirr klirren machten, und hängende Gegenstände in schwingende Bewegungen versetzten. Namentlich war in alten Gebäuden und in den oberen Stockwerken die Erschütterung stärker als zu ebener Erde. (Magdeb. Ztg. 8)“

*) Grube „Alte Hoffnung Erbstollen“ in Schönborn-Dreiwerden (Anmerkung des Autors)

SCHWÄBISCH-HALL (Baden-Württemberg)

v. SEEBACH (1873):

„Heute Nachmittag 3 $\frac{3}{4}$ Uhr wurden die Bewohner der hiesigen, wenigstens der untern Stadt durch eine Erderschütterung erschreckt. Bei heiterem Himmel und sonst ziemlicher ruhiger Luft wurde plötzlich ein von Nordwest nach Südost sich hinziehendes bedeutendes Schwanken aller in den Zimmern befindlichen Gegenstände bemerkt, Gläser klirrten und das in Gefäßen stehende Wasser fing an sich zu bewegen. Das Ganze dauerte etwa 2–3 Secunden. (Schwäb. Merkur)

Beiläufig 15 Minuten vor 4 Uhr wurde hier ein nicht unbedeutendes Erdbeben verspürt. Die Bewegungen hatten anscheinend die Richtung von Nordost nach Südwest, dauerten etliche Secunden, waren zum Theil schwankend, so dass Stühle und Tische mit den daraufliegenden Gegenständen in Bewegung geriethen; unmittelbar vorher hatte man den Eindruck, wie wenn ein Gewitter im Anzug wäre, der Himmel war jedoch ganz hell; zugleich wurde ein eigenthümliches Rollen vernehmbar. (Würtemb. St. Anz. Nr. 59)“

GREBE (1872):

„3 $\frac{3}{4}$ Uhr, Dauer 2–3 Sec. Untere Stadt: Bedeutendes Schwanken.“

SCHWANSEE (Thüringen)

v. SEEBACH (1873):

„4 Uhr eine starke Erderschütterung, die ungefähr 5 Secunden anhält. (Weim. Ztg. 8)“

SCHWARZBURG (Thüringen)

v. SEEBACH (1873):

„3 Uhr 50 Minuten Berliner Zeit eine ungefähr 15 Secunden dauernde Erschütterung verbunden mit unterirdischem, donnerartigem Geräusch; die Wellenbewegung schien von NO. nach SW. zu gehen und setzte alle Gegenstände in Bewegung, so dass der gusseiserne Ofen förmlich rasselte. (Steinbruch, K.G.-D.d.T.)“

SCHWEINSBERG (Hessen)

v. SEEBACH (1873):

„3 Uhr 35 Minuten eine schaukelnde wellenförmige von Süden nach Osten ziehende Erdbewegung. Dieselbe dauerte wenigstens 8–12 Secunden. Der Tisch, auf welchem der Beobachter schrieb, bewegte sich derart, dass das Schreiben unmöglich wurde. Eine an der Wand hängende, 2 Meter lange Kataster-Karte machte schwingende Bewegung, so dass der untere mit einem Rollstabe versehene Theil derselben mehrfach einen Abstand von der Wand hatte, der bis zu 25 cm. betrug ... (Beobachter Herr Feldmesser Handschuh, mitgetheilt durch Dr. v. Könen)“

SCHWEINSHAUPTEN (Bayern)

v. SEEBACH (1873):

„Heute Nachmittag dahier (in Hofheim – Anmerkung d. Autors) in Schweinshaupten zwei Schwankungen von Süd nach Nord. Zwischenzeit der ersten und zweiten etwa 3 Secunden. (Nürnb. Corresp. 9)“

ŠLUKNOV/ČSFR

(ehemals Schluckenau; Kreis Rumburk)

GREBE (1872):

„Schluckenau, 4 Uhr. Der Fussboden wankte, die Fenster klirrten. Die Gebirgsformation in unserer Gegend ist meist Granit.“

SOKOLOV/ČSFR

KÁRNÍK et al. (1957):

„Vom Gebiete Böhmens liegen Meldungen aus folgenden Ortschaften vor: 4° – ... Sokolov ...“

SÖMMERDA (Thüringen)

v. SEEBACH (1873):

„Sömmerda, ähnlich. 1) (Ebenda) 2)“

Anmerkungen des Autors:

1) „ähnlich“ bezieht sich auf die Wirkungen in Weißensee (siehe dort).

2) National Ztg. (10. 3. 1872).

SONDERSHAUSEN (Thüringen)

v. SEEBACH (1873):

„Durch die freundliche Vermittlung von Professor Dr. Spitta erhielt ich folgende Mittheilung von Herrn Dr. Semisch: Die Erderschütterung wurde in allen Theilen der Stadt ungefähr 3 Uhr 55 Minuten wahrgenommen, recht stark auch im Schloss. Während in einigen Häusern der Stoss so heftig empfunden wurde, dass Stühle etc. erzittern, Thüren und Fenster wie von einem heftigen Windstoss erfasst auffahren und selbst die Wände erbeben, als sei ein Theil des Gebäudes eingefallen, hat man in dicht dabei stehenden Häusern in manchen Strassen nichts derartiges bemerkt. Ruhig Sitzende fühlten ein lebhaftes Erzittern des Stuhls und ihres Körpers, andere glauben sich von plötzlichem Schwindel ergriffen, Schreibende fahren mit der Feder unwillkürlich über das Papier hin, an einem Tische, auf dem Linsen gelesen werden, hüpfen diese mit einem Mal in die Höhe etc. In den oberen Stockwerken war die Erschütterung stärker, im Freien hat niemand etwas von dem Stosse gespürt. Die Erschütterung war nach den verschiedensten Angaben nur eine einmalige momentane ...“

SONNEBERG (Thüringen)

Neustädter Kreisbote (9. 3. 1872):

„... Nachmittags gegen 3 Uhr 52 Min. fand ein ziemlich kräftiger Erdstoß statt, welcher nach den bisherigen Berichten u.a. in ... Sonneberg ... wahrgenommen wurde.“

SONTRA (Hessen)

GREBE (1872):

„3 $\frac{1}{2}$ Uhr. 2 Stöße, ein stärkerer, dann ein schwächerer. Niederstadt und Herrngasse, tiefst gelegene Strassen, Beobachtungen im 3. Stock, 2. Stock, Erdgeschoss. Eine offen stehende Hofthüre ins Schloss geknappt.“

SPANGENBERG (Hessen)

GREBE (1872):

„... ca. 3 Uhr 50 Min. einige Erschütterungen. Erschütterung horizontal. Dritter Stock eines grossen und guten Hauses. Starkes Schwanken.“

STADTAMHOF (Bayern)

GREBE (1872):

„4 Uhr. Einzelne Möbel geriethen in Bewegung.“

STADTILM (ehemals Stadt Ilm; Thüringen)

v. SEEBACH (1873):

„Stadt Ilm. Die K. Telegraphenstation berichtet: 3 Uhr 58 Minuten Berliner Zeit, zwei ziemlich starke Erdstöße, welche sogleich richtig erkannt wurden; man verspürte unmittelbar nach einem eigenthümlichen äusseren bez. unterirdischen Brausen ein Knistern der Wände und die wellenförmigen von Ost nach Westen gehenden Erschütterungen. (Schellhorn, K.G.-D.d.T.)“

STADTRODA (ehemals Roda; Thüringen)

v. SEEBACH (1873):

„Roda, $\frac{3}{4}$ 4 Uhr wurde hier ein sehr starker Erdstoss verspürt, der sich in der Richtung von Südosten nach Nordwesten fortzupflanzen schien. Die Erschütterung war so stark, dass der Fussboden in den Zimmern schwankte, die Möbel sich bewegten und kleinere, leicht bewegliche Gegenstände umfielen. Dem Erdstoss vorher ging ein Brausen und Sausen in der Luft und ein unterirdisches Getöse, wie ferner Donner ... (Geraer Ztg.)“

STARÁ ROLE/ČSFR

(ehemals Alt Rohlau; Kreis Karlovy Vary)

GREBE (1872):

„Alt Rohlau. Die Leute flüchteten erschrocken aus den Häusern.“

v. SEEBACH (1873):

„Altrohrlau, so heftig, dass ältere Gebäude wankten und viele Bewohner aus den Wohnungen auf die Gasse flüchteten. (N.f.P)“

STRAUBING (Bayern)

v. SEEBACH (1873):

„Die Erdstöße des 6. März wurden auch hier von einigen Personen, sowie in mehreren Orten des bayerischen Waldes wahrgenommen. (Straubinger Ztg. 12)“

STRAUSSFURT (Thüringen)

GREBE (1872):

Angabe übernommen von v. SEEBACH (1873): „... im Bahnhofsgebäude. Bilder und Spiegel in Bewegung. Aus einer mit Wasser gefüllten Glaskugel, in welcher Goldfischchen, strömte Wasser aus.“

v. SEEBACH (1873):

„Bilder und Spiegel schwanken; aus einer Glaskugel mit Goldfischen schlägt das Wasser heraus ... (Nat. Ztg. 10)“

STUTTGART (Baden-Württemberg)

v. SEEBACH (1873):

„Nachmittags 3–4 Uhr, auch hier deutlich empfunden und wahrgenommen worden ist, zuerst als Stoss, dann als ein Zittern des Fussbodens, wobei z.B. in einem Kästchen aufgehängte Schlüssel sehr hörbar an einander stiessen. (W. St. Anz. 8 oder 9)“

SUHL (Thüringen)

v. SEEBACH (1873):

„3 Uhr 50 Minuten /Berliner Zeit/ ein ziemlich heftiger Erdstoss, in Folge dessen das ganze Haus momentan eine Neigung nach SW. anzunehmen schien und die Glocken der Kirche klirrten. Einige Personen wollen im Freien auch ein donnerartiges Geräusch wahrgenommen haben. (Körner, K.G.-D.d.T.)“

TANNRODA (Thüringen)

Neustädter Kreisbote vom 9. 3. 1872:

„... Nachmittags gegen 3 Uhr 52 Min. fand ein ziemlich kräftiger Erdstoss statt, welcher nach den bisherigen Berichten u.a. in ... Tannroda ... wahrgenommen wurde.“

TAUBENHEIM (Sachsen)

FRIEDRICH (1901):

„In der Lausitz wurde das Erdbeben beobachtet in ... Taubenheim ... u.a.O.“

TAUTENBURG (Thüringen)

Kirchenchronik Tautenburg:

„Am 6. März nachmittags gegen 4 Uhr wurde eine nicht unbedeutende Erderschütterung wahrgenommen, begleitet von einem donnerartigen Getöse. Ich befand mich in der Holzschuppe am Haus, da war mir, als ob ein Wagen unter meinen Füßen schnell dahinfahre. Die Holzstöße wackelten und das Dach knarrte in seinen Fugen. Ich eilte heraus und sah noch, wie die offen stehenden Fensterlflügel sich bewegten. Es herrschte eine beängstigende Schwüle; die Glieder waren wie gelähmt. Erschrocken kamen die Leute vor die Häuser und frugen nach, was das wäre. Hier und da waren Ziegel von den Dächern gefallen, hatten die Geschirre in den Häusern geklirrt. Ein Kind, das auf einer Bank gestanden, hatte sich erschrocken festgehalten und zu seiner Mutter gesagt: 'Mutti, ich bins nicht gewesen' ...“

TEGWITZ (Thüringen)

v. SEEBACH (1873):

„Auf einer Wiese entstand ungefähr 36 Stunden nach dem Erdbeben eine kegelförmige Erhebung des Bodens. Dieselbe wurde mit einem Spaten geöffnet und strömte dann eine solche Menge Wassers aus, dass in kurzer Zeit der ganze Thalgrund unter Wasser gesetzt wurde und einem See glich. Die Mühle unterhalb kann jetzt nach Fassung und Zuleitung der neuen Quelle in den Mühlbach mit doppelter Kraft arbeiten. Eine Abnahme des Wassers wurde bis jetzt /20. April/ nicht bemerkt. (Prof. Liebe)

Der Güte des Herrn Professor Geinitz verdanke ich noch folgende ausführliche Mittheilung des Herrn Berginspector Wohlfarth zu Altenburg. Am 8. März bemerkte der Gastwirth Misselwitz in Tegkwitz ...“ (weiter mit dem Originalbericht – Anmerkung des Autors)

WOHLFAHRT (1872):

„In Bezug auf den Erdstoss vom 6. März (Sitzungsb. S. 3) wird mitgetheilt, dass Herr Professor von Seebach in Göttingen im Begriff stehe, alle darauf bezüglichen Beobachtungen zu prüfen und zusammen zu stellen. Es sind ihm daher vielseitige Notizen darüber sehr erwünscht.“

Ueber das plötzliche Hervortreten eines starken Quelles bei dem Dorfe Tegkwitz im Herzogthum Altenburg an dem Tage jenes Erdstosses liegt nachstehender Bericht des Herrn Berginspector Wohlfarth in Altenburg an Herrn Geheimrath Dr. H. Müller in Dresden vor:

Am 8. März, also zwei Tage nach dem Erdbeben, bemerkte der Gastwirth Misselwitz in Tegkwitz auf einer Wiese 250 Schritte unterhalb des Gasthofes eine schildförmige Erhöhung von circa 8 Meter Durchmesser und 0,5 Meter grösster Höhe. Er machte mit dem Spaten einen geringen Einschnitt in den Erdbuckel und sofort quoll ihm ein starker Wasserstrom entgegen, der die umliegenden Wiesen weithin überschwemmte. Später hat man von der Ausbruchsstelle bis zum Bache einen Abzugsgraben gemacht, in welchem das Wasser heute (22. April – Anmerkung bei v. SEEBACH, 1873) noch in unverminderter Quantität abfließt; ich schätze die Wassermenge auf 140 bis 180 Liter pro Minute. An dem Entspringungspunkt sieht man deutlich, wie das Wasser in dem circa 30 Centimeter tiefen Graben von unten heraufquillt; es hat einen tintenförmigen Geschmack und setzt stark Eisenoxydhydrat ab.

Die Erklärung des Phänomens kann wohl unschwer aus der geognostischen Bodengestaltung hergeleitet werden. Tegkwitz liegt im Gebiete des bunten Sandsteins; in dem dortigen Thale wird die oberste Erdschicht durch einen für Wasser fast undurchlässigen Thon gebildet, dessen Ränder nach den Bergabhängen zu emporgelagert sind und der auf einer Schicht von Kies aufliegt. In diesem Kiese sichern an den Berglehnen die Tagewässer ein und werden unter der Thonschicht gespannt gehalten. Diese Thonschicht ist jedenfalls nicht überall von gleicher Dicke und die gespannten Wasser machen sich hier und da an den dünnen Stellen Luft und sicherlich haben die starken Erschütterungen am 6. März dazu beigetragen, dass die Wasser an einer Stelle hervorgebrochen sind, wo sonst ihre eigene Spannung nicht hingereicht hätte, die Thondecke zu durchbrechen.

Ich kann mich bei dieser Erklärung auf folgende zwei Thatsachen stützen: Der Gastwirth Misselwitz hat vor mehreren Wochen in seinem Gehöfte einen Brunnen graben lassen, in welchem er 4,7 Meter blaugrauen Thon durchteufte, dann noch 2,8 Meter in demselben Gebirge weiterbohrte, worauf er eine Kiesschicht traf, aus welcher das Wasser springbrunnenartig in die Höhe stieg. Der Brunnen ist wieder verschüttet, weil das Wasser ungenießbar war. Ich habe ferner dieselbe Bodenbildung in den benachbarten Thälern von Gimmel und Platschütz beobachtet, die ebenfalls im Gebiete des bunten Sandsteins liegen und wo man bei den Aufschlussarbeiten zur Altenburger Wasserleitung unter einer mehr oder weniger starken Thonschicht überall auf eine wasserführende Kies- und Sandschicht stiess, die beim Anschnitt fast immer das Wasser hoch steigen liess.“

TEICHWITZ (Thüringen)

Orts-Chronik der Parochie Teichwitz:

„Am 6. März 1872, Nachmittags 4 Uhr fand hier eine Erderschütterung statt, so heftig, wie sie in Deutschland wohl noch niemals stattgefunden. Unter einem starken donnerähnlichen unterirdischen Getöse, das sich von Osten nach Südwesten fortsetzte u. einige Sekunden währte, wankten die Häuser so heftig, daß Mauern Risse bekamen, Ebenköpfe zum Theil herabstürzten, zum Theil zerrißen sind, daß sie abgenommen werden müßen. In den Häusern ist der Kalk von den Zimmerdecken gefallen, sind Ofen vollständig umgestürzt, andre von der Wand abgerückt worden. Wer im Freien war, fühlte sich im Augenblick in die Höhe gehoben. Treibvieh fand zusammen und Pferde scheuten. Das Federvieh flog ängstlich herum u. es währte lange Zeit, ehe es in seine Wohnungen zurückging; der Flug der Bienen war mit einem Augenblick gehemmt.“

Wir selbst im Pfarrhause schrieten mit Einem Munde: 'naus ins Freie, das Haus stürzt ein'. Und wir standen in einem Nu im Hof. Da das Haus noch stand, glaubte ich, die Kirche – der Thurm sey eingestürzt. Wie wir, so standen auch Hartmans, auch Mißlers und alle im Dorfe vor ihren Häusern ...“

TEICHWOLFRAMSDORF (Thüringen)

v. SEEBACH (1873):

„... (auf Phykodenschiefer) war der Stoss sehr heftig; in einem angebauten Maschinenhause wurden die Eckpfeiler stark beschädigt,

die Maschinen klapperten und stockten nach dem Stosse und Balken im oberen Stock zogen sich theilweise aus den Fugen. (Windich, Prof. Liebe)"

TEPLICE/ČSFR (ehemals Teplitz)

GREBE (1872):

„Teplitz, 1–2 Min. vor 4 Uhr, Dauer 3 Sec. Von donnerähnlichem Geräusch begleiteter, nicht unbedeutender Erdstoss. Es war als wenn plötzlich der Fussboden in die Höhe gehoben würde und sich dann wieder senkte. Erschütterung der Möbel, Klirren der Gläser in obern Stockwerken.“

Ztg. Deutschland (7. 3. 1872):

„... in Teplitz gegen 5 Uhr (2 bis 3 Sek. dauernd). Der Erdstoß scheint hier schon sehr schwach gewesen zu sein.“

TEUTSCHENTHAL (Sachsen-Anhalt)

GIEBEL (1872):

„Heute Nachmittag um 3 Uhr 55 Minuten fand hier eine Erdschütterung statt. Dieselbe erstreckte sich in der Richtung von Osten nach Westen, war nur einen kurzen Moment fühlbar, jedoch so heftig, dass die Gegenstände im Zimmer, z. B. Spiegel und die auf dem Tische stehenden Tassen, sich bewegten. Auf angestellte Nachfrage ist auch auf verschiedenen Gruben, Henriette und Louise die Wahrnehmung gemacht worden ...“

THALBÜRGEL (Thüringen)

Kirchenchronik von Thalbürgel:

„In diesem Jahr 1872 wurde allhier am 6. März nachmittags 4 Uhr ein ziemlich starkes Erdbeben verspürt. Die Pfarrei wankte merklich hin und her; in einigen Häusern entstanden Risse in den Wänden, und ein nicht geringer Schrecken bemächtigte sich aller Einwohner, als mit diesem Erdbeben zugleich ein starkes Rollen in der Luft verspürt und vernommen wurde ...“

THEMAR (Thüringen)

Dorfzeitung (8. 3. 1872):

„... und auch von ... Themar kamen Nachrichten von dieser plötzlichen Erdschütterung.“

Neustädter Kreisbote (9. 3. 1872):

„... Nachmittags gegen 3 Uhr 52 Min. fand ein ziemlich kräftiger Erdstoß statt, welcher nach den bisherigen Berichten u.a. in ... Themar ... wahrgenommen wurde.“

THRÄNITZ, Ortsteil Collis (Thüringen)

v. SEEBACH (1873):

„Eine abgelegene Meierei bezog ihr laufendes Trinkwasser aus einer oberhalb gelegenen stetig aushaltenden Quelle; dieselbe kommt aus steil aufgerichteten und gestörten Grauwackenschiefern, neben denen ungestört Rothliegendes lagert. Durch den Stoss ist die Quelle plötzlich versiegt und seit der Zeit nicht wieder erschienen. Ein ruhiger und sicherer Beobachter stand im Freien still und über sah die aufgehenden Saaten. Er versichert mit Bestimmtheit den Stoss gefühlt und die wellenförmige Bewegung an der Bodenoberfläche gesehen zu haben, hat aber auch kein bedeutendes Geräusch gehört (Buntsandsteinboden). Vielleicht, dass bei der Bewegung des Körpers durch den Stoss hier eine optische Täuschung vorliegt. (Prof. Liebe)“

TÖPPELN, Ortsteil Mühlisdorf (Thüringen)

KRAUSE (1873):

„... und daß bei Mühlisdorf, 2 Stunden von hier, Körbe, welche von Steine sammelnden Kindern aufgestellt waren, umgefallen und die bergigen Felder hinabgeköllert wären.“

TORGAU (Sachsen-Anhalt)

v. SEEBACH (1873):

„Die K. Telegraphenstation berichtet, dass ... um 3 Uhr 58 Minuten /Berliner Zeit/ zwei schwache geräuschlose 2–3 Sekunden andauernde Erschütterungen wahrgenommen. Die Wellen gingen von Südost

nach Nordwest, eine in ostwestliche Richtung schwingende Uhr blieb stehen; leichte Gegenstände fielen von Süd nach Nord. (Griessmann, K.G.-D.d.T.)“

GIEBEL (1872):

„Gestern Nachmittag, zehn Minuten vor vier Uhr, wurden diejenigen Bewohner unserer Stadt, welche sich gerade in ihren Wohnungen befanden, durch drei Erdstöße in die grösste Aufregung versetzt. Dieselben folgten sich binnen 1–1 ½ Minute mit solcher Heftigkeit, dass nicht blos für das Gefühl merklich, sondern auch für das Auge sichtbar Wände und Möbel bebten und schwankten (oscillirten), während ein dumpfes Geräusch wie das Fahren von Lastwagen hörbar war. Namentlich in isolirt stehenden und mehrstöckigen Gebäuden sollen diese Schwankungen schreckenerregend gewesen sein ... Im Freien sich Befindende haben wenig oder nichts gemerkt, jedoch zum Theil das dumpfe Geräusch vernommen.“

TŘEBÍVLICE/ČSFR (Kreis Lovisice)

KÁRNÍK et al. (1957):

„Vom Gebiete Böhmens liegen Meldungen aus folgenden Ortschaften vor: 4° – ... Třebívlice ...“

TREYSA (Hessen)

GREBE (1872):

„Starke Bewegung der Thurmspitze.“

TRIESTEWITZ (Sachsen-Anhalt)

v. SEEBACH (1873):

„... in verstärktem Maße, in dem eine Drittelstunde westlich von hier (Arzberg – Anmerkung des Autors) entfernten Triestewitz, wo viele Leute in eine förmliche Aufregung und Angst geriethen, obgleich die Erschütterung in einem 2 bis 3mal wiederholten Beben der Erde nur vielleicht 3 Sekunden in Anspruch nahm ... von welcher andere auf Stühlen und Sophas betroffen wurden, wie dies in sehr starkem Maße auf dem Schlosse der Familie von Stammer zu Triestewitz empfunden wurde ...“

TRIPTIS (Thüringen)

Neustädter Kreisbote (9. 3. 1872):

„... Nachmittags gegen 3 Uhr 52 Min. fand ein ziemlich kräftiger Erdstoss statt, welcher nach den bisherigen Nachrichten u.a. in ... Triptis ... wahrgenommen wurde.“

TRUTNOV/ČSFR

KÁRNÍK et al. (1957):

„Vom Gebiete Böhmens liegen Meldungen von folgenden Ortschaften vor: 4° – ... Trutnov ...“

TUCHOMÝSL/ČSFR

(ehemals Schönfeld; Kreis Ústí n.L.)

v. SEEBACH (1873):

„Schönfeld. Herr Postmeister Stelzig schreibt am 7. März: Gestern Nachmittag um 4 Uhr 5 Minuten wurden in Schönfeld zwei rasch aufeinander folgende, von einem dumpfen unterirdischen Rollen begleitete ca. 3 Sekunden andauernde Erdstöße verspürt, welches Vorkommen hier noch gänzlich unbekannt war. Stühle, Tische, Thüren und Gläser wurden gerüttelt. Noch heftiger soll dasselbe in Kaltenbach am Fusse des gleichnamigen 2328 Wiener Fuss messenden Basaltberges (der Kaltenberg – Anmerkung des Autors), dann in Bannersdorf, zur "Dittersbacher oder böhmischen Schweiz", gehörig und in Neukroibitz, der Wasserscheide zwischen Ost- und Nordsee (Elbe und Oder) wahrgenommen worden sein. – Das Wetter war klar und hell bei Sonnenschein, später erhob sich Südwind. (Zeitschr. d. Oesterr. Ges. f. Meteorol., 1872 Bd. VII, p. 138)“

TÜBINGEN (Baden-Württemberg)

v. SEEBACH (1873):

„Herr Cand. med. Gerok war so freundlich mir zu schreiben: Ich sass am Nachmittage des 6. März arbeitend in meinem Zimmer, als ich plötzlich durch ein Schwanken des Bodens, des Stuhles erschreckt wurde, welches sich 5 bis 6mal in ziemlich rascher Folge

wiederholte. Ich zog sofort meine regelmässig gehende Uhr, welche genau 3 Uhr 48 Minuten zeigte ... Ein Fallen von Gegenständen, oder auch nur ein Geräusch war nicht wahrzunehmen, ebenso bin ich nicht im Stande über die Richtung der Schwankungen etwas anzugeben.“

ÚPICE/ČSFR (Kreis Trutnov)

KÁRNÍK et al. (1957):

„Vom Gebiete Böhmens liegen Meldungen aus folgenden Ortschaften vor: 4° – ... Úpice ...“

ÚSTÍ NAD LABEM/ČSFR (ehemals Aussig)

GREBE (1872):

„Aussig. ... 4 ¼ Uhr. Geringe Erderschütterung in einigen Theilen der Stadt.“

UTENBACH (Thüringen)

Ortschronik Utenbach:

„ ... Ein anderes merkwürdiges Ereigniß (vorher ist von einem Unwetter die Rede – Anmerkung des Autors), das jedoch zum Glück ohne Schaden abging, trat am 6. März d.J. Nachmittags 4 Uhr ein. Schreiber dieses beschäftigte sich in seinem Wohnzimmer mit Lesen, als er plötzlich den Boden unter sich mit Gepolter wanken fühlte; das Ganze dauerte nur einige Sekunden, und es war das Geräusch, sowie die damit verbundenen Erschütterungen ganz genau der Art, daß man augenblicklichen Einsturz der ganzen Kellergewölbe unter dem Hause annehmen mußte. Mit Vorsicht ging man an die Untersuchung der Kellerräume, sahe aber ganz erstaunt noch alles in unbeschädigtem Zustande und als auch die benachbarten Gebäude und die Kirche sich unversehrt zeigten, da erst kam die Überzeugung: das muß ein Erdbeben gewesen sein ...“

VERNEŘICE/ČSFR

(ehemals Wernstadt; Kreis Česká Lípa)

GREBE (1872):

„Wernstadt. ½ 5 Uhr. 2 Erschütterungen. Heftige wellenförmige Schwingungen. Bilderrahmen hoben sich von den Wänden ab, Gläser klirrten.“

VILSECK (Bayern)

v. SEEBACH (1873):

„ ... kurz nach 4 Uhr Nachmittags wurde auch dahier und im benachbarten Orte Schlicht ein Erdstoss verspürt, bei dem vorzüglich die auf Hausböden und in höheren Wohnräumen befindlichen Personen ein Schaukeln wie auf einem Schiffe und ein Wanken und Neigen der Mauern bemerkten, das jedoch nur wenige Sekunden andauerte. Der Stoss, bzw. die schaukelnde Bewegung scheint von Nord nach Süd gerichtet gewesen zu sein. Von Personen, die sich im Freien befanden, wurde, soviel ich erfahren, von dieser Erscheinung nichts bemerkt ... (Regensbr. Tagebl. 10)“

VIRNSBERG (Bayern)

v. SEEBACH (1873):

„ ... kurz vor 4 Uhr eine nicht unbedeutende Erderschütterung, denn die Zimmergeräthe bewegten sich und Fenster und Gläser klirrten. Sie dauerte 5–6 Sekunden und die Bewegung schien von Nordwesten zu kommen. (Fränk. Ztg. 9)“

VOLLMERSHAIN (Thüringen)

v. SEEBACH (1873):

„ ... ein Wasserloch von 1 Elle Wasserstand ist durch den Stoss plötzlich versiegt. Culm. (Prof. Liebe)“

VORDORF/Fichtelgebirge (Bayern)

v. SEEBACH (1873):

„Als ich gestern Nachmittags auf dem Holzschlage im sogenannten Schöffelrangen, einer nordnordöstlichen, sehr steilen Hänge, ungefähr in 1/3 der Höhe des Schneebergs mich befand, nahm ich plötzlich – 5 Minuten vor 4 Uhr – ..., in dem ober mir befindlichen Hochwalde ein unheimliches Brausen wahr, dem ein von Süd-West her, rasch näher kommendes und ebenso nach Nord-Ost sich wieder ver-

lierendes sehr starkes Rollen, ganz ähnlich dem Donner eines plötzlich über das Hochgebirge hereinbrechenden Gewitters, folgte und wobei ungefähr 3 Sekunden lang der Boden so stark schwankte, dass mich an dieser steilen Hänge ein förmlicher Schwindel befiel und 6 Mann Holzhauer, die eben mit Fällung einer starken Tanne un-ter mir beschäftigt waren, also in Folge anstrengender Bewegung und des Geräusches der Säge von dem erwähnten Brausen und Rollen nichts wahrnehmen konnten als die Schwankungen begannen, plötzlich mit der Arbeit innehielten und über die wahrgenommene eigenthümliche Bewegung einander befragten. Das Rollen war 9 Sekunden lang wahrnehmbar. Bei meiner Heimkunft wurde mir mitgetheilt, dass Thüren und Fenster klapperten und die Möbeln wie in Bewegung sich befanden ... (Augsb. Abendztg. 8)“

WAHRENBRÜCK (Sachsen-Anhalt)

v. SEEBACH (1873):

„Nachmittags kurz vor 4 Uhr wurden im hiesigen Orte zwei sehr fühlbare Erderschütterungen bei völlig ruhiger Luft und heiterem Himmel beobachtet. Der erste Stoss war schwächer als der zweite. Beide erfolgten unmittelbar nach einander. Beim zweiten Stosse, welcher eine schwankende Bewegung erzeugte, klirrten die Fenster und bewegten sich die Möbel. Er war von einem dumpfen Rollen begleitet. (Magdeb. Ztg. 10)“

WALDENBURG (Sachsen)

v. SEEBACH (1873):

„4 Uhr /Berliner Zeit/ eine ziemlich starke, von unterirdischem, donnerartigem Geräusche begleitete Erderschütterung, deren Wellenbewegung, wie im Freien zu erkennen war, „von Nord-West nach Nord-Ost gingen“; verschiedene Essenköpfe fielen herab und Gebäude bekamen Sprünge. (Schneider, K.G.-D.d.T.)

3 Uhr 55 Minuten ein deutlich doppelter Erdstoss, dem ein unterirdisches Rollen vorausging, aus NW. oder aus SO. kommend und stark genug, um Risse in der Kirchen- und Stadtmauer zu machen (alter Schiefer). In Altstadt-Waldenburg (Diluvium) wird der Stoss mit grosser Uebereinstimmung als von S. kommend angegeben. (Prof. Liebe)

Den naiven Brief, der in so anschaulicher Weise den im Schullehrer-Seminar zu Waldenburg durch das Erdbeben erregten, panischen Schrecken schildert und der daher aus dem Lpzgr. Tgbl. in fast alle Zeitungen übergegangen ist, kann ich mich nicht enthalten – wenn auch nicht gerade als Beitrag zum Erdbeben – auch hier zum wörtlichen Abdruck zu bringen. „Mich hat ein grosses Ereignis des heutigen Tages bestimmt, eben jetzt an Sie zu schreiben. Sie können sich wohl leicht denken, daß jetzt bei uns das Examen begonnen hat, und zwar sind vom Samstag voriger Woche bis nächsten Donnerstag die Examina der Wahlfähigkeits-Candidaten. Weil der behandelte Stoff nicht besonders interessant war, so versanken bei dem warmen Wetter und der schwülen Luft im Zimmer viele Zuhörer in Schlaf. Andere lasen ein Drama und suchten sich dadurch die Langeweile zu vertreiben. Es nahte sich die Vesperzeit. Herr Oberlehrer M. examinierte eben über Grammatik der deutschen Sprache. Da begann mit Einem Male die Decke zu beben. Es donnerte über uns, als bräche das Dach zusammen. Unser Aufenthalt war im Oberstockwerke des Neubaus und der erste Gedanke war daher, das Gebäude stürzt ein. Die Folge davon war, dass Alle, Lehrer wie Schüler, in wilde Flucht geriethen. Da Alle zugleich das Freie suchten, war die Thüre zu eng. Im Gedränge kamen Viele zum Fallen, selbst zwei Oberlehrer, und es wundert mich nur, dass Niemand verunglückt ist. Dies war jedoch nicht der einzige Gedanke, der Vielen Schrecken einjagte. Etliche glaubten das Ende der Welt sei da und blieben daher ruhig die Hände zum Gebete gefaltet, stehen. Viele kamen aber auch auf den richtigen Gedanken: es ist ein Erdbeben. Besonders wurde ich dadurch erschreckt, dass ich die ganze Masse mehr auf allen Vieren zur Thüre hinaus sich wälzen sah. Einer öffnete sogar in der Todesangst das Fenster, stieg hinaus, kletterte auf dem nicht einmal einen Fuss breiten Sims an der äusseren Seite des Hauses hin bis zum Blitzableiter und glitt an demselben etwa 20 Ellen hoch herunter. Als wir in's Freie kamen, merkten wir nichts vom Einsturz. Es war ein Erdstoss gewesen. Das Ganze hat einen tiefen Eindruck auf mich gemacht, und jedesmal, wenn ich daran denke, wird es mir unheimlich und das Wasser läuft mir aus den Augen.“

WALDTHURN (Bayern)

GREBE (1872):

„Zwischen 3 ½ und 3 ¾ Uhr. Alle Gebäude am Markte zitterten, Tische und Bänke in den Zimmern wackelten. Die Fenster zitterten, wie beim Donnerschlag eines Gewitters. Man glaubte, der Keller sei eingestürzt.“

v. SEEBACH (1873):

„... zwischen 3 ½ und ¾ auf 4 Uhr ein Erdstoss. Derselbe war so heftig, dass im ganzen Markt alle Gebäude zitterten und Tische und Bänke in den Zimmern wackelten. Ich bewohne ein Kellerhaus und glaube, der Keller sei unter mir eingestürzt, die Fenster zitterten wie bei dem Donnerschlag eines Gewitters ... (Regensbgr. Tagebl. 9)“

WALPERNHAIN (Thüringen)

Kirchenchronik Walpernhain:

„Am 6. März 1872 Nachmittags zwischen 3 u. 4 Uhr wurde ein starker Erdstoß auch hier verspürt, die Gegenstände in den Häusern geriethen, wenn sie leicht beweglich waren, in Schwanken. Weit weniger wurde merkwürdiger Weise der Stoß von solchen Personen empfunden, welche sich auf freiem Felde befunden hatten.“

WALTERSHAUSEN (Thüringen)

v. SEEBACH (1873):

„Herr Physikus Dr. Köllein hatte die Güte mir zu schreiben: Die Erderschütterung war ein wellenförmiges Schwanken von 5–8 Sekunden Dauer, welches nur in den oberen Stockwerken der Häuser wahrgenommen wurde. Ein vorausgehendes donnerähnliches Geräusch, ein Rollen etc. ist nirgends wahrgenommen worden. Das wahrgenommene Geräusch entstand durch Klappern der Fenster, Rasseln der Thüre u.s.w. Doch waren die Bewegungen doch so stark dass die Bewohner auf die Strasse stürzten und sofort die Ursache als Erdbeben erkannten. In der in dem massiven achteckigen Kirchturm, 106 Fuss über dem Pflaster des Marktplatzes gelegenen Thürmerwohnung war die Erschütterung so heftig, dass der Thürmer glaubte, der Boden werde ihm unter seinen Füßen weggezogen, und sich am Ofen festhalten musste. Die an der SW. – N. laufenden Wand hängenden Bilder geriethen parallel der Wand in pendelnde Schwingungen; eine 3 cm. von der westlichen Wand hängende Taschenuhr ward gegen diese geschlagen; die übrigen Gegenstände an der Süd- und Nordwand blieben unberührt und zwei an der letzteren befestigte ostwestlich pendelnde grosse Wanduhren wurden nicht gestört. Der gütigen Vermittelung des Herrn Dr. Köllein verdanke ich auch noch die folgenden Mittheilungen des Herrn Bürgermeister Albrecht: Die städtische Thurmuhr wird durch drei, täglich punkt 12 Uhr Halle'sche Zeit von der Eisenbahnstation Fröttstedt telegraphisch abgegebene Glockenschläge regulirt. Gerade zur Zeit des Erdbebens gingen die städtischen Uhren ganz correct nach dem Signal, denn der 12 Uhr-Schlag der grossen Thurmuhr fiel mit dem Glockensignal des Telegraphen zusammen. Vor einer auf 4 Uhr anberaumten Sitzung sah ich in Erwartung der übrigen Mitglieder des Collegiums fest gegen die Fensterbrüstung gelegt zum offenen Fenster auf den /nach W. liegenden/ Marktplatz, da mit einem Mal empfand ich mit der grössten Bestimmtheit, wie das Rathhaus 3 bis 4 Mal nach vorn und hinten schwankte und es war mir so, als wenn die Frontwand /W. / des Gebäudes auf den Markt stürzen würde. Betroffen richtete ich mich empor und wanke in das Zimmer zurück, nachdem unwillkürlich mein Auge nach dem Zifferblatt des Thurms sich richtete und ich sah, dass es gerade 4 Minuten vor 4 Uhr /also Halle'sche Zeit/ war.“

Gothaische Zeitung (8. 3. 1872):

„Waltershausen: 6–4 Min. vor 4; 6–8 Sec. Dauer, 3–4 Erdstöße von OSO gegen WNW; Häuser schwanken.“

WALTERSHAUSEN-SCHNEPFENTHAL (Thüringen)

v. SEEBACH (1873):

„Schnepfenthal. Ebenfalls der Vermittelung des Herrn Dr. Köllein verdanke ich die nachstehende Beobachtung: In einem Bücherrepositoryum legte sich eine Reihe lose aufgestellter Bächer nach der Nordseite ihrer Breite soweit um, als dies der Spielraum gestattete und kehrte darauf in die senkrechte Lage zurück. Der Aufsatz eines Pultes in demselben Zimmer oscillirte ebenfalls unter lautem Gerasel nach N. Die Bücher parallel den Zimmerwänden stehend wurden

bewegt in einer Richtung, die von der ziemlich genau bestimmten Nordrichtung um 30° nach Ost abweicht.“

WASSERTRÜDINGEN (Bayern)

v. SEEBACH (1873):

„4 Uhr eine ziemlich bedeutende wellenartige Erderschütterung. Es wurde hierbei ein heftiges Wanken des Bodens, sowie der Stühle, Schränke und Pulte bemerkt. (Fränk. Ztg. 9)“

WASUNGEN (Thüringen)

Dorfzeitung (8. 3. 1872):

„... und auch von Wasungen ... kamen Nachrichten von dieser plötzlichen Erderschütterung.“

WEIDA (Thüringen)

v. SEEBACH (1873):

„4 Uhr starker Erdstoss; alle Möbel im Zimmer bewegten sich heftig. (Weim. Ztg. 7)

Am Bahnhofe ist die eine Wand eines Güterschuppens zerrissen worden. Nicht weit davon hat sich der neu angelegte Damm der Gera-Eichlichter Bahn um 3' gesenkt, woran aber nicht der Untergrund, sondern nur das Material des Letzteren schuld ist. (Prof. Liebe)“

KRAUSE (1872):

„... der andere (Schorstein – Anmerkung des Autors), am Güterschuppen des Bahnhofs Weida erfuhr eine Verrückung um seine Längsaxe der Art, daß die nördliche Seite nach Osten und die andere im entsprechenden Sinne gedreht wurden.“

Der Stadt- und Landbote (9. 3. 1872):

„Gestern Nachmittag Schlag 4 Uhr wankte der Boden unter unseren Häusern. Augenblicklich war es den Bewohnern unserer Stadt, als solle der HäuserEinsturz von Frankfurt sich über seinem Haupte oder vor seinen Augen wiederholen. 4 Sekunden darf man ohne Übertreibung die Dauer der Erschütterung schätzen. Über die Hauptrichtung wird man erst aus zahlreichen Berichten ein Resultat ziehen können, da je nach der Bodengestaltung der Einzelstelle dieselbe ganz abweichend sich offenbaren kann. An Heftigkeit übertrifft das Phänomen alles derartige, was seit Menschengedenken bei uns beobachtet worden ist. Sind auch die Wirkungen bis auf den Schrecken der leicht erregbaren Naturen keine augenfälligen, wenn man den Einsturz eines Schornsteins und das Wackeln alter und neuer Wände, sowie dessen, was damit in mittel- oder unmittelbarer Verbindung steht, nicht rechnen will ...“

WEIMAR (Thüringen)

GREBE (1872):

„3 ¾ Uhr, 3 Erschütterungen. Knistern der Häuser, einige Fenster zersprangen. Stoss ziemlich heftig.“

v. SEEBACH (1873):

„Man schreibt mir, dass kurz vor 4 Uhr, erst ein schwächerer, kurz rollender und darauf ein stärkerer mit wiederholten Schwankungen verbundener Stoss wahrgenommen wurde. Die Dauer der ganzen Erscheinung betrug ca. 10 Sekunden. Die Wände rauschten und knatterten, Kaik bröckelte von den Häusern und eine Zimmerdecke bekam einen grossen Riss. Die Bewegung schien von SO. nach NW. zu gehen. Die Zeit wurde von Herrn Finanzrath Dr. Herbst auf 3 Uhr 52 Minuten Bahnfahrzeit /Haller Zeit/ bestimmt.“

Mühlhäuser Anzeiger (9. 3. 1872) und Geraer Zeitung (9. 3. 1872):

Inhalt: Umfangreicher Bericht aus Weimar: Das Erdbeben erfolgte 3 ¾ Uhr Nachmittags als heftiger, nach manchen Mittheilungen 3maliger Stoss von SO. nach NO. Wirkungen: Häuser knisterten, Erschütterung wie beim Vorbeifahren einer Lokomotive, Schwanken der Möbel, Zerspringen von Fensterscheiben ...

Weimarisches Zeitung (7. 3. 1872):

„Weimar, 6. März. Einige Minuten vor 4 Uhr Nachmittags verspürte man hier eine heftige Erderschütterung. Dieselbe kann etwa 10 Sekunden gedauert haben und waren zwei Stöße bemerkbar. Häuser und darin befindliche Gegenstände geriethen dadurch in heftige Schwankungen.“

WEISSENFELS (Sachsen-Anhalt)

v. SEEBACH (1873):

„Um 3 Uhr 55 Minuten /Berliner Zeit/ trat ein stärkerer Stoss ein, worauf noch einige schwächere Schwankungen folgten und ein Rollen, als wenn ein Kutschwagen vorüber führe, hörbar war. Die Bewegung schien in der Himmelsrichtung NO-SW zu verlaufen. Das Pendel der nordsüdlich schwingenden Uhr blieb nicht stehen. (Stange, K.G.-D.d.T.)“

WEISSENSEE (Thüringen)

GREBE (1872):

„3 ¼ Uhr. Thurmglöckchen in schwingender Bewegung und deren Klöpfel anschlagend.“

v. SEEBACH (1873):

„ ... gegen 3 ¾ Uhr, so stark, dass die Thurmglöckchen zu schwingen beginnen und anschlagen und die Häuser so heftig erzittern, dass viele Personen auf die Strasse eilen. (Nat. Ztg. 10)“

WERDAU (Sachsen)

v. SEEBACH (1873):

„ ... viele kleine Beschädigungen am Bahnhofsgebäude und zerprungene Fensterscheiben. (Dr. J)

Die K. Telegraphenstation berichtet: 3 Uhr 58 Minuten ein ca. 1 Secunde dauerndes Schwanken des Gebäudes von O. nach W., unmittelbar darauf 2 starke Erdstöße, begleitet von donnerähnlichem Geräusch mit Nachzittern des Erdbodens. Der zweite Stoss stärker als der erste. Das donnernde Geräusch erschien wie die Folge des Niederfallens eines schweren Gegenstandes auf dem oberen Hausboden. Die Bewegung erschien mehr stossartig als wellenförmig. Es wurde ein Herunterfallen der ostwestlich hängenden Batterieschränke befürchtet. Die Apparate, Magnethadeln etc. wurden nicht afficirt ... Zeit 3 Uhr 58 Minuten bis 59 Minuten, Berliner Zeit. (König, K.G.-D.d.T.)“

WESTGREUSSEN (Thüringen)

v. SEEBACH (1873):

„ ... In ... Westgreußen ..., auf dem ganzen Höhenzuge der Hainleithe wurde die Erschütterung mehr oder weniger heftig gespürt ... (Zeitungsausschnitt)“

WETZDORF (Thüringen)

Kirchenchronik Wetzdorf:

„Am 6. März 1872 wurden wir durch einen ziemlich starken Erdstoß aufgeschreckt. Es war nachmittag zwischen 3 und 4 Uhr. Wir saßen mit Besuch bei einer Tasse Kaffee, als wir unter starkem Getöse gleich dem fernen Grollen des Donners die Bewegung von Südwest nach Nordost so heftig verspürten, dass wir bleich und erschrocken von den Stühlen sprangen und zur Tür hinaus eilen wollten. Wir sahen die Decke und die Wände sich schieben. Die Fenster klirrten und gläserne Gegenstände auf den Stellagen schlugen gegeneinander und schwankten eine ganze Zeit lang noch nach. Das Rollen unter uns und das eigentliche Beben der Erde dauerte ungefähr 2 Secunden. Ebenso hatte man es im ganzen Ort bemerkt. Die Tauben auf dem Gutshofe erhoben sich in wildem Ausfluge. Im Freien hatte es dagegen überhaupt keiner bemerkt.“

WIEHE (Sachsen-Anhalt)

v. SEEBACH (1873):

„ ... um 4 Uhr wurden hier zwei Erdstöße, welche im Verlaufe einer halben Minute auf einander folgten und von dem der zweite ungleich stärker als der erste war, sehr bemerklich. Ueber ihre Richtung ist man unentschieden geblieben, indessen scheint dieselbe ziemlich gewiss von Südwesten aus nach Nordosten gegangen zu sein. Während der Dauer derselben, wobei auf jeden Stoss 1-1½ Secunden kamen, erfolgten, wie auch kurz vor- und nachher heftige Windstöße. Die Erschütterung war in Gebäuden so heftig, dass sich Stühle und Tische bewegten, die Bilder an den Wänden hin- und herschwankten, ja Personen von ihren Sitzen weg geschleudert wurden. Selbst die Glocken der Schlaguhr fingen an, virbrierend zu tönen. Irigend eine Beschädigung der Gebäude ist nicht bemerkbar geworden ... Im Freien hat man von der Erscheinung wenig ... wahrgenommen. Welchen Eindruck dieselbe auf die Bewohner hiesiger Gegend, wel-

che noch nie dergleichen erlebt haben, gemacht hat, ist mit wenigen Worten nicht zu beschreiben und dabei das eine nur zu bewundern, dass manche während der Erschütterung, ohne sich der Ursache derselben bewusst zu sein, plötzlich aus den Häusern stürzten und Rettung unter freiem Himmel suchten. (Magdeb. Ztg. 9)“

Ortschronik Allerstedt:

„ ... Der in Wiehe erscheinende "Moniteur" brachte über das stattgefundne Naturereignis folgende Nachricht: Heute Nachmittag 4 Uhr wurde in hiesiger Stadt eine bedeutende Erdschütterung wahrgenommen, die sich in zwei aufeinander folgenden, von einem dumpfen Rollen begleiteten und 4-5 Secunden dauernden gewaltigen Stößen äußerte. Die Erschütterung war so heftig, daß die Gebäude in eine schaukelnde Bewegung versetzt und die sich darin befindenden Möbel u.s.w., namentlich in den oberen Räumen, umzustürzen drohten und selbst Türen aus ihren Angeln sprangen. - Das dumpfe Rollen ist auch im Freien verspürt worden, und selbst bei dem zahmen und wilden Geflügel hat sich während der Katastrophe eine besondere Unruhe bemerkbar gemacht ... “

WIESBADEN (Hessen)

v. SEEBACH (1873):

„4 Secunden dauernd. (Frankf. Ztg. 9)

Durch diese Notiz aufmerksam gemacht, suchte ich durch die Herren Stud. R. Lepsius und R. Franz weitere Nachrichten aus dem Unterlahnkreise und aus dem Kreise Wetzlar zu erlangen. In beiden Gegenden will man aber das Erdbeben nicht verspürt haben.“

WITTENBERG (Sachsen-Anhalt)

v. SEEBACH (1873):

„3 Uhr 55 Minuten ein schwacher, etwa 5-6 Secunden andauernder Erdstoss. Personen, welche sich um diese Zeit im Freien befanden, versicherten zwar, nichts von einer Undulation des Bodens wahrgenommen zu haben. Dagegen wurde in fast allen Gebäuden und Zimmern, namentlich in den in den oberen Stockwerken liegenden Localen die Wirkung des Stosses deutlich beobachtet. Zimmergegenstände, wie Schränke, Stühle, Tische etc. schwankten hin und her; schlecht schliessende Thüren sprangen auf, Tassen klirrten zum Theil sehr vernehmlich, stehende Uhren setzten sich in Bewegung, Bücher fielen von Repositorien und Putz von den Decken herab, in offenen Gefässen befindliches Wasser gerieth in Bewegung. Personen, die auf Stühlen sassen, glaubten vom Schwindel ergriffen zu sein. Noch längere Zeit nach der Erschütterung war die Magnetnadel unruhig und versagte der Telegraph den Dienst. /? Würde, wenn richtig, wohl auch officiell berichtet worden sein. / Ueber die Richtung des Stosses gehen die Angaben auseinander, doch dürfte aus mehreren Erscheinungen zu folgern sein, dass derselbe in der Hauptrichtung von Süd nach Nord erfolgte. (Magdeb. Ztg. 8)“

GIEBEL (1872):

„Wittenberg, den 6. März. Aller Wahrscheinlichkeit nach macht mein Brief das Dutzend Erdbebennachrichten voll, aber Sie haben möglicherweise noch keine specielle Benachrichtigung aus der frommen Lutherstadt. Ja, es ist ein Factum, auch hier hat es heute Nachmittag, wie von den verschiedensten Seiten durch verantwortliche Vernehmung auf Spaziergängen und in den Kneipen festgestellt worden ist, erdbebibbert. Der Stoss fand etwa 5 Minuten vor 4 Uhr Nachmittags statt und hatte eine Dauer von 5-6 Secunden, so zwar, dass die Schwingungen je länger sie währten, desto stärker wurden. Nach meiner Ansicht verliefen die Schwingungen von Osten nach Westen und waren derartig heftig, dass die Bilder in meinem Zimmer an den Wänden (kleinere allerdings), besonders an der Westwand auf und nieder flogen. Bekannte haben die Bemerkung gemacht, dass Tassen und Gläser auf dem Tische klirrten, Schlüssel an Schlüsselbrettern perpendiculäre Bewegungen machten und aneinander klirrten.“

Magdeburger Correspondent

(ein nicht näher bezeichneter Zeitungsausschnitt - Anmerkung des Autors):

„Häuser kamen in schwankende Bewegung. In mehreren Wohnungen war die Schwankung der Möbel so bedeutend, daß die Bewohner in Angst auf die Straße liefen.“

WITZENHAUSEN (Hessen)

v. SEEBACH (1873):

„Die grösste Thurm-glocke 3-3½ Fuss hoch schlägt dreimal an; in den einzelnen Häusern vor der Stadt schlagen die geöffneten Thüren und Fenster an. (H.E. Meissner, Göttingen)“

WOLFSGEFÄRTH (Thüringen)

Weimarisches Ztg. (8. 3. 1872):

„Beim Eintreffen des Gera-Eichigter Zuges hörten wir von Passagieren, daß die Erschütterung ... stark gewesen sei. Ebenso auf der ... Station Wolfsgefärth.“

Neustädter Kreisbote (9. 3. 1872):

„ ... Nachmittags gegen 3 Uhr 52 Min. fand ein ziemlich kräftiger Erdstoss statt, welcher nach den bisherigen Berichten u.a. in ... Wolfsgefärth ... wahrgenommen wurde.“

WROCLAW/Polen (ehemals Breslau)

v. SEEBACH (1873):

„Breslau. Prof. Galle schreibt: Die gestern Nachmittag 4 ¼ Uhr in der Oberlausitz, Sachsen und Thüringen wahrgenommene Erdschütterung ist auch noch hier in Breslau bemerklich geworden. Der Unterzeichnete war durch einen zufälligen Umstand veranlasst, genau um dieselbe Zeit, kurz nach 4 ¼ Uhr mittlere Breslauer Zeit, in das für die magnetischen Beobachtungen bestimmte Zimmer im zweiten Stock des Universitäts-Gebäudes zu treten, während die sonstigen regelmässigen täglichen Aufzeichnungen der Magnetnadel an anderen Tagesstunden stattfinden. Bei einem Blick durch das auf den magnetischen Apparat gerichtete Fernrohr fielen sofort die starken scheinbar verticalen Schwankungen auf, welche von einer pendelnden Schwingung des an einem 10 Fuss langen Seidenfaden von der Decke herabhängenden etwa 1 Pfund schweren Magnetstabes herrührten. Heute eingezogenen Erkundigungen gemäß hatte in der nächsten Zeit vorher Niemand dieses Zimmer betreten und die über die Ursache dieses Schwankens sofort gehegte Vermuthung einer etwanigen Erdschütterung trat mit den heute hier eingegangenen Nachrichten und Zeitangaben in so genaue Uebereinstimmung, dass über den Zusammenhang nicht füglich ein Zweifel obwalten kann.“ (Schl. Ztg. 8)

„Zu 4 Uhr 15' wurde auch durch Herrn Kayser die Zeit bestimmt. Um von der Zeit, in welcher der Stoss in Breslau bemerkt wurde, eine möglichst bestimmte Vorstellung zu gewinnen, wandte ich mich an Herrn Prof. Galle und bat ihn um Auskunft ob der Ausdruck 'kurz nach' im Sinne des täglichen Lebens gebraucht sei oder ob man dabei an einen astronomisch kurzen Zeitraum denken dürfe. Herr Professor Galle hatte hierauf die Güte mir folgende briefliche Erläuterung zukommen zu lassen. 'Meine in dem betreffenden Zeitungsartikel angeführte Zeitangabe war keine wissenschaftlich präcise und konnte dies auch nicht sein. Aus zufälliger Veranlassung trat ich kurz nach 4 ¼ Uhr m. Br. Zeit in das magnetische Zimmer, wo die laufenden Beobachtungen zu andern Stunden gemacht werden, warf einen Blick auf den Apparat, sah die Vertical-Schwingungen und machte in Folge dessen eine extra-ordinäre Ablesung um 4 Uhr 21'. Ich hatte sogleich den Gedanken an einen Erdstoss, jedoch mussten erst genauere Erkundigungen eingezogen werden, ob jemand um diese Zeit das Zimmer betreten und etwa an die Nadel angestossen habe: welches nicht der Fall gewesen war. Mit Sicherheit kann ich demnach nur angeben, dass der Stoss vor 4 Uhr 20' als dem Beginne der Ablesung stattgefunden hat; wie lange vorher, bleibt unbestimmt. Die durch Pendel-Bewegung der Nadel entstehenden Vertical-Schwingungen beruhigen sich oft erst nach vielen Minuten, eine Viertelstunde Spielraum kann daher mit Leichtigkeit zugegeben werden, da auch über die ursprüngliche Elongation der Pendel-Bewegung mir nichts bekannt sein konnte. Zur Zeit der Beobachtung war die Elongation sehr gering, vielleicht 1 Linie. (J.G. Galle)“

WÜNSCHENDORF (Thüringen)

Kirchenchronik Wünschendorf-Veitsberg:

„Am 6. ej. 4 Uhr Nachmittag ein furchtbarer Erdstoß, welcher einige Secunden dauerte. Häuser bekamen Mauerrisse, Schloethe und Oefen wurden beschädigt, stürzten sogar hie und da ein, Kalk fiel von den Wänden der Zimmer. Der kleine Kirchturm in Veitsberg (Ortsteil von Wünschendorf – Anmerkung des Autors) bewegte sich, in Folge eines heftigen Windes. Menschen flüchteten sich aus den Wohnungen, weil sie deren Einsturz befürchteten ...“

WÜNSCHENDORF, Ortsteil Cronschwitz (Thüringen)

v. SEEBACH (1873):

„Cronschwitz, (auf oberem Devon) sehr starker Doppelstoss, so dass ein Stück Felswand gegenüber einstürzt. (Prof. Liebe)“

WÜRZBURG (Bayern)

v. SEEBACH (1873):

„Zwischen 3 und 4 Uhr, (Würzbrg. Ztg. 7) wellenförmige Bewegung in der Richtung von Südost gegen Nordwest, in Zimmern aufgestellte Gegenstände werden von der Stelle gerückt. (Würzbrg. Abendbl. 8)“

WÜSTENBRAND (Sachsen)

v. SEEBACH (1873):

„SIEGMAR, 4 Uhr vernahm man auf hiesigem Bahnhof und nächster Umgebung aufeinanderfolgendes donnerartiges Getöse, Erdstößen gleich; Fenster und Tassen klirrten, Blumenstöcke zitterten vor dem Winde gepeitscht, und im Freien aufgeschichtete Kohlen stürzten zusammen. Ähnliche Stöße wurden in Wüstenbrand ... wahrgenommen ...“

WUNSIEDEL (Bayern)

REINDL (1905):

„Am 5. März 1872 heftiges Erdbeben zu Wunsiedel.“

WURZEN (Sachsen)

v. SEEBACH (1873):

„3 Uhr 55 Minuten /Berliner Zeit?/ nur eine starke ungefähr 4 Secunden andauernde Erschütterung, von einem rollenden Geräusch begleitet. (K.G.-D.d.T.)“

GREBE (1872):

„Die Bewohner stürzten eilends aus den Häusern.“

ZARÓW/Polen (ehemals Saarau)

v. SEEBACH (1873):

„Saarau, 7. März. Die heut von Ihnen gebrachten Berichte aus Görnitz und Chemnitz über eine dort verspürte Erdschütterung machen mir eine gestern wahrgenommene Erscheinung klar. Kurz nach 4 Uhr sass ich ruhig in meinem 2 Etagen hoch gelegenen Zimmer, als ich eine Erschütterung des Gebäudes wahrnahm, so dass ich unwillkürlich an den Frankfurter HäuserEinsturz dachte; der Spiegel an der Wand wackelte ganz merklich. Die ganze Erscheinung machte den Eindruck, als ob im Erdgeschoss ein sehr schwerer Gegenstand umgefallen und das Gebäude erschütterte hätte. (Bresl. Ztg. 8)

Keine Beobachtungen in Jauer, im Eulengebirge und Waldenburg. (Ob. Bergr. Professor Websky).“

ŽATEC/ČSFR (ehemals Saaz)

GREBE (1872):

„Saaz. 4 ¼ Uhr. Dauer mehrere Sec. Heftige Erdschütterung, am stärksten im Thurm des Stadthauses, ausserdem in den gegen Westen liegenden Stadttheilen. Ablösung von Mörtel.“

ZEITZ (Sachsen-Anhalt)

v. SEEBACH (1873):

„ ... gegen 4 Uhr, fand ein starker Erdstoss statt. Derselbe dauerte wohl ca. 1 Secunde und hatte grosse Aehnlichkeit mit dem Rollen eines schwer beladenen Frachtwagens. Der Boden zitterte, die Fenster klirrten und man konnte eine schwankende Bewegung einzelner hängender Gegenstände wahrnehmen. Die Aufregung unter den Bewohnern war gross, da im ersten Augenblicke Niemand an ein hier so seltenes Naturereignis dachte. (Halle'sche Ztg.)

Um 3 Uhr 55 Minuten /Berliner Zeit/ fing das Erdbeben an und dauerte gegen 5 Secunden mit einer Pause von 1 Secunde. Es er-

folgten also zwei starke Erschütterungen, die letzte war die stärkste. Das Getöse, welches das Erdbeben begleitete, äusserte sich als ein dumpfes, fernem Donner ähnliches Rollen. Die Erschütterungen wurden als Wellenbewegungen wahrgenommen, welche in der Richtung von Ost nach West fortschritten. (Röse, K.G.-D.d.T.)“

GIEBEL (1872):

„Am Mittwoch, den 6. d.M., Nachmittags gegen 4 Uhr fand hier ein starker Erdstoss statt. Derselbe dauerte wohl ca. 1 Secunde und hatte grosse Aehnlichkeit mit dem Rollen eines schwer beladenen Frachtwagens. Der Boden zitterte, die Fenster klirrten und man konnte eine schwankende Bewegung einzelner hängender Gegenstände wahrnehmen. Die Aufregung unter den Bewohnern war gross, da im ersten Augenblicke Niemand an ein hier so seltenes Naturereignis dachte.“

ZITTAU (Sachsen)

v. SEEBACH (1873):

„ ... wurde in der K. Telegraphenstation die Aufmerksamkeit durch ein plötzliches starkes Summen sämmtlicher zur Station führenden Telegraphendräthe erregt und gleich darauf ein heftiges Klirren des eisernen Etagenofens. Es wurden 2 dicht aufeinander folgende starke Erschütterungen wahrgenommen. Zeit 4 Uhr 10 Minuten Berliner Zeit ??/. (Schildbach, K.G.-D.d.T.)

In den Braunkohlengruben der Gegend von Zittau ist etwas Auffälliges nicht zu bemerken gewesen ... “

ŽLUTICE/ČSFR (ehemals Luditz; Kreis Toužim)

GREBE (1872):

„Luditz, gegen 4 Uhr mehrere Secunden Dauer. Klirren von Gläsern und Fensterscheiben. Unterbrechung der Arbeit von Personen, die mit Schreiben beschäftigt waren.“

ZÖRBIG (Sachsen-Anhalt)

Bernburgische Zeitung (9. 3. 1872):

„ ... in Zörbig um die nämliche Zeit (hier schwankten die Häuser und ein Thurm hat einen Riß erhalten) ... “

ZWICKAU (Sachsen)

v. SEEBACH (1873):

„Die K. Telegraphenstation berichtet: 3 Uhr 49 Minuten Berliner Zeit eine stärkere Erschütterung, welcher eine schwächere folgte mit unterirdischem donnerartigem Geräusche als Wellenbewegung von S. nach N. Die NW.-SO. pendelnde Stationsuhr blieb stehen. (Leonhardt, K.G.-D.d.T.)

Aus den Kohlenschächten der Umgegend wird mehrfach erzählt, dass Arbeiter, gleich den über Tag befindlichen Personen, das Gefühl irgend eines Einsturzes, einer Explosion etc. gehabt haben und vielfach in Bestürzung nach den Förderungsstellen gelaufen kamen, um sich zu erkundigen, bezüglich zu sichern. Wieder andere versichern, gar nichts weiter bemerkt zu haben. Zu Tage hat man auf mehreren Werken, namentlich bei den sehr merklichen Schwingungen der Drahtseile zuerst eine Störung im Förderzuge vermuthet. (Zwickauer Wochbl.)“